

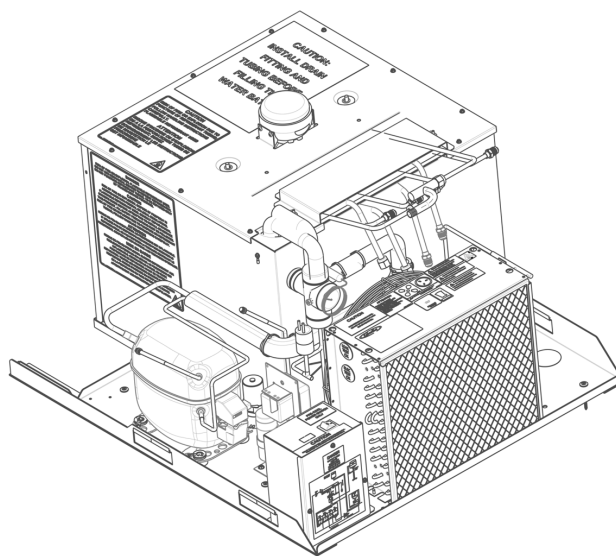
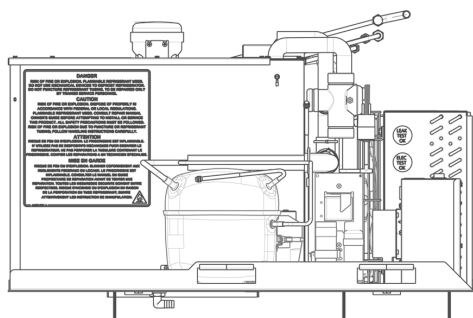
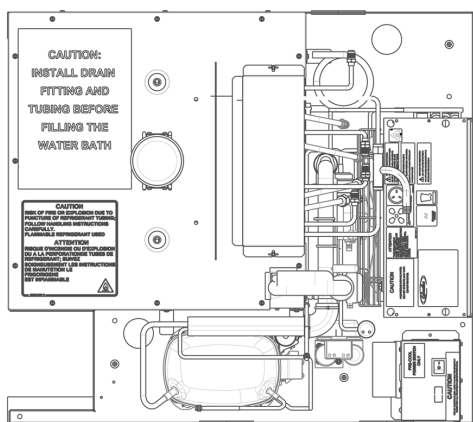


ABS 2.0 PRE-CHILLER

#620073775 ABS PRE-CHILLER, 120V, 60HZ, R290

#620073774 ABS PRE-CHILLER, 230V, 50HZ, R290

ILLUSTRATED PARTS LIST



Release Date: March 7, 2023

Publication Number: 620073775IPL

Revision Date: March 7, 2023

Revision: A



Marmon Foodservice
Technologies

A Berkshire Hathaway Company

Visit the Cornelius web site at www.cornelius.com for all your Literature needs.

Notice

The products, technical information, and instructions contained in this manual are subject to change without notice. These instructions are not intended to cover all details or variations of the equipment, nor to provide for every possible contingency in the installation, operation or maintenance of this equipment. This manual assumes that the person(s) working on the equipment have been trained and are skilled in working with electrical, plumbing, pneumatic, and mechanical equipment. It is assumed that appropriate safety precautions are taken and that all local safety and construction requirements are being met, in addition to the information contained in this manual.

This Product is warranted only as provided in Cornelius' Commercial Warranty applicable to this Product and is subject to all of the restrictions and limitations contained in the Commercial Warranty.

Cornelius will not be responsible for any repair, replacement or other service required by or loss or damage resulting from any of the following occurrences, including but not limited to, (1) other than normal and proper use and normal service conditions with respect to the Product, (2) improper voltage, (3) inadequate wiring, (4) abuse, (5) accident, (6) alteration, (7) misuse, (8) neglect, (9) unauthorized repair or the failure to utilize suitably qualified and trained persons to perform service and/or repair of the Product, (10) improper cleaning, (11) failure to follow installation, operating, cleaning or maintenance instructions, (12) use of "non-authorized" parts (i.e., parts that are not 100% compatible with the Product) which use voids the entire warranty, (13) Product parts in contact with water or the product dispensed which are adversely impacted by changes in liquid scale or chemical composition.

Correct Disposal of this Product

This marking indicates that this product should not be disposed with other household wastes throughout the EU. To prevent possible harm to the environment or human health from uncontrolled waste disposal, recycle it responsibly to promote the sustainable reuse of material resources. To return your used device, please use the return and collection systems or contact the retailer where the product was purchased. They can take this product for environmental safe recycling.

Trademarks and Copyrights

This document contains proprietary information and it may not be reproduced in any way without permission from Marmon FoodService Technologies Inc. This document contains the original instructions for the unit described.

MARMON FOODSERVICE TECHNOLOGIES INC
355 Kehoe Blvd
Carol Stream, IL
Tel: + 1 800-238-3600

Printed in U.S.

Contact Information

To inquire about current revisions of any documentation or assistance with any Cornelius product, contact:

www.marmonfoodservice.com
www.cornelius.com
800-238-3600

TABLE OF CONTENTS

Pre-Chiller Assembly	1
Compressor Assembly	2
Control Box Assembly	3
Condenser / Fan Assembly	4
Water Bath & Cooling Coils	5
Pressure Limiter, Filter Drier & Insulation	6
Agitator Assembly	7
Bath Coils - Tube and Water Assemblies	8

PRE-CHILLER ASSEMBLY

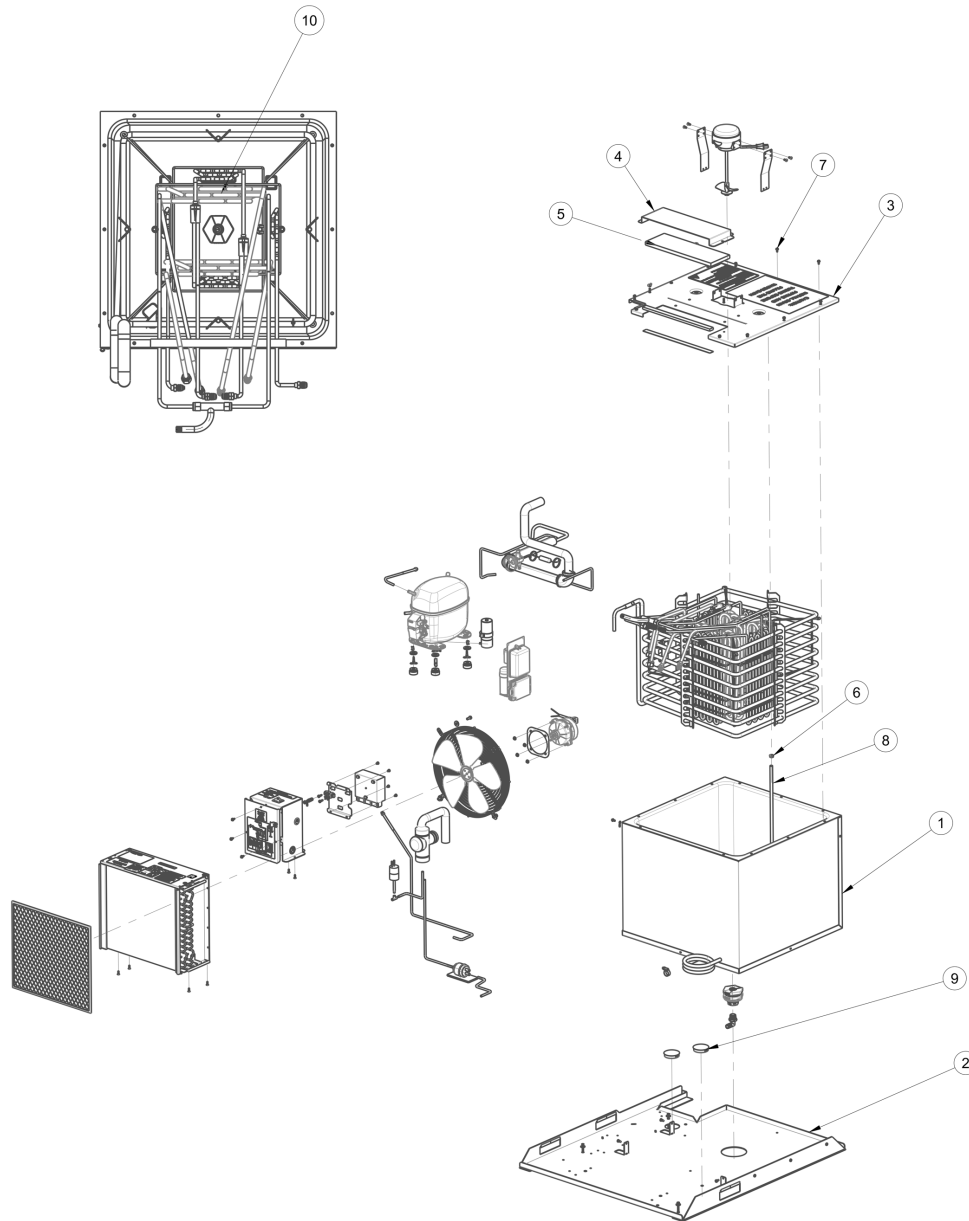


Figure 1.

Item No.	Part No.	Name
1	4310-0032	TANK WATER BATH ASSY
2	9299-0096	BASE RFG
3	9208-0342	INSULATION WATER BATH COVER
4	9215-0026	COVER ACCESS
5	4310-0034	INSULATION WATER BATH
6	7299-0044	BUSHING SNAP
7	9501-0001	SCREW TR 8-32 HXWS 12
8	7299-0045	TUBE OVERFLOW
9	7814-0065	BUSHING SNAP
10	7814-0083	WATER LINE ASSEMBLY

COMPRESSOR ASSEMBLY

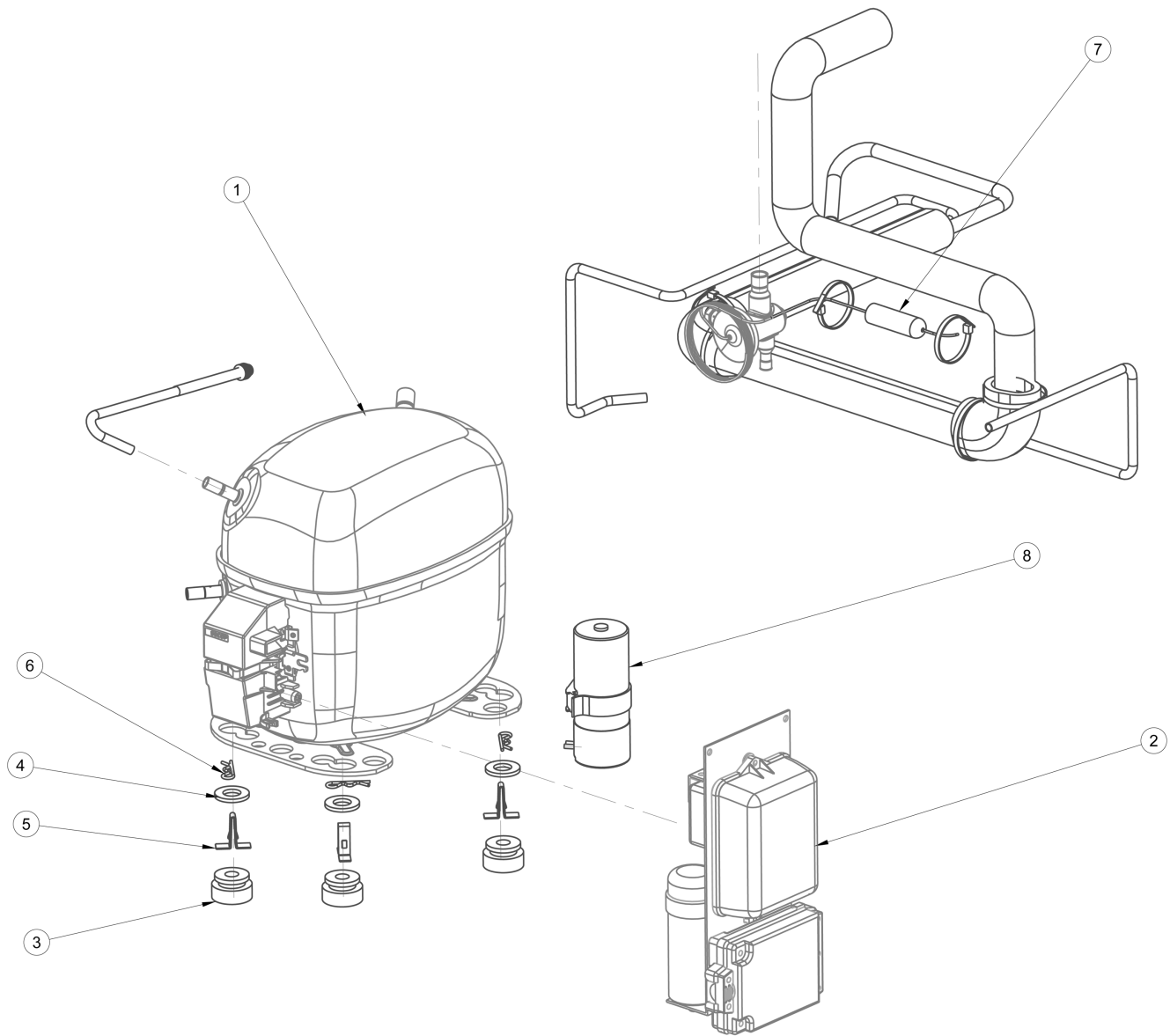


Figure 2.

Item No.	Part No.	Name
1	7000-0299 7000-0227	#1 SECOP COMPRESSOR R290, SCE18MNX, 230V, 50Hz #1 SECOP COMPRESSOR R290, SCE18MNX, 115V, 60Hz
2	117-7805	TOWER STARTING DEVICE, COMPRESSOR 115V
3	7055-0026	GROMMET
4	9502-0009	SLEEVE
5	7070-0006	CLIP
6	9599-0008	SPRING CLIP
7	TUB4-068U3861	TXV VALVE
8	55300398	START CAPACITOR, COMPRESSOR 230V

CONTROL BOX ASSEMBLY

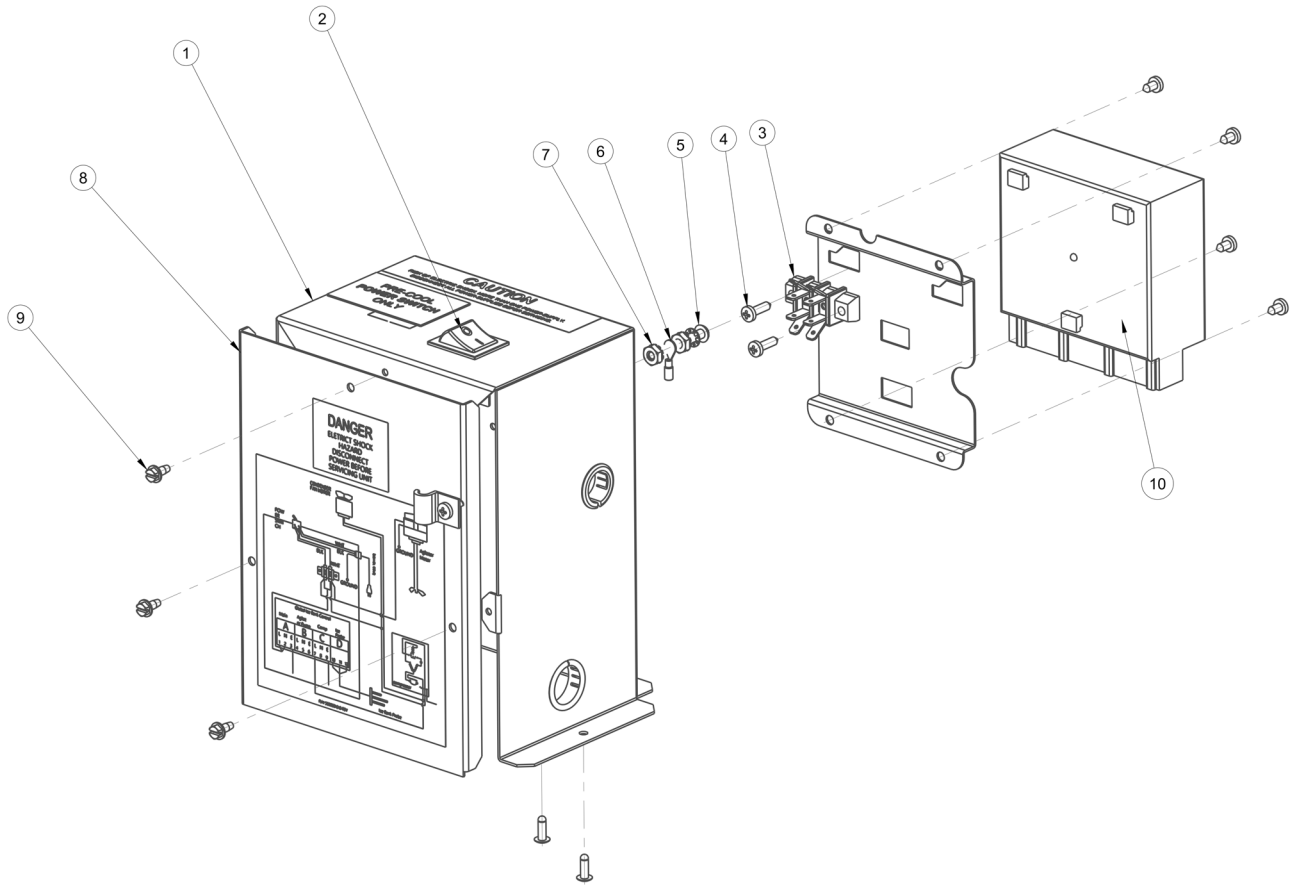


Figure 3.

Item No.	Part No.	Name
1	9222-0036	BOX CNTL 120V 60HZ, BOX CNTL 230V 50HZ
2	7800-0005	SWT ROCKER 120V 60HZ, SWT ROCKER 230V 50HZ
3	7807-0020	BLOCK TERM
4	84A4.2X19XTBCF00	SCREW
5	9501-0016	SCREW
6	99100213	TERMINAL
7	9503-0018	NUTS
8	9214-0056	COVER
9	9501-0001	PAN HEAD, SCREW
10	7903-0068	GIBC (GLOBAL ICE BANK CONTROLLER) REF# 620071645

CONDENSER / FAN ASSEMBLY

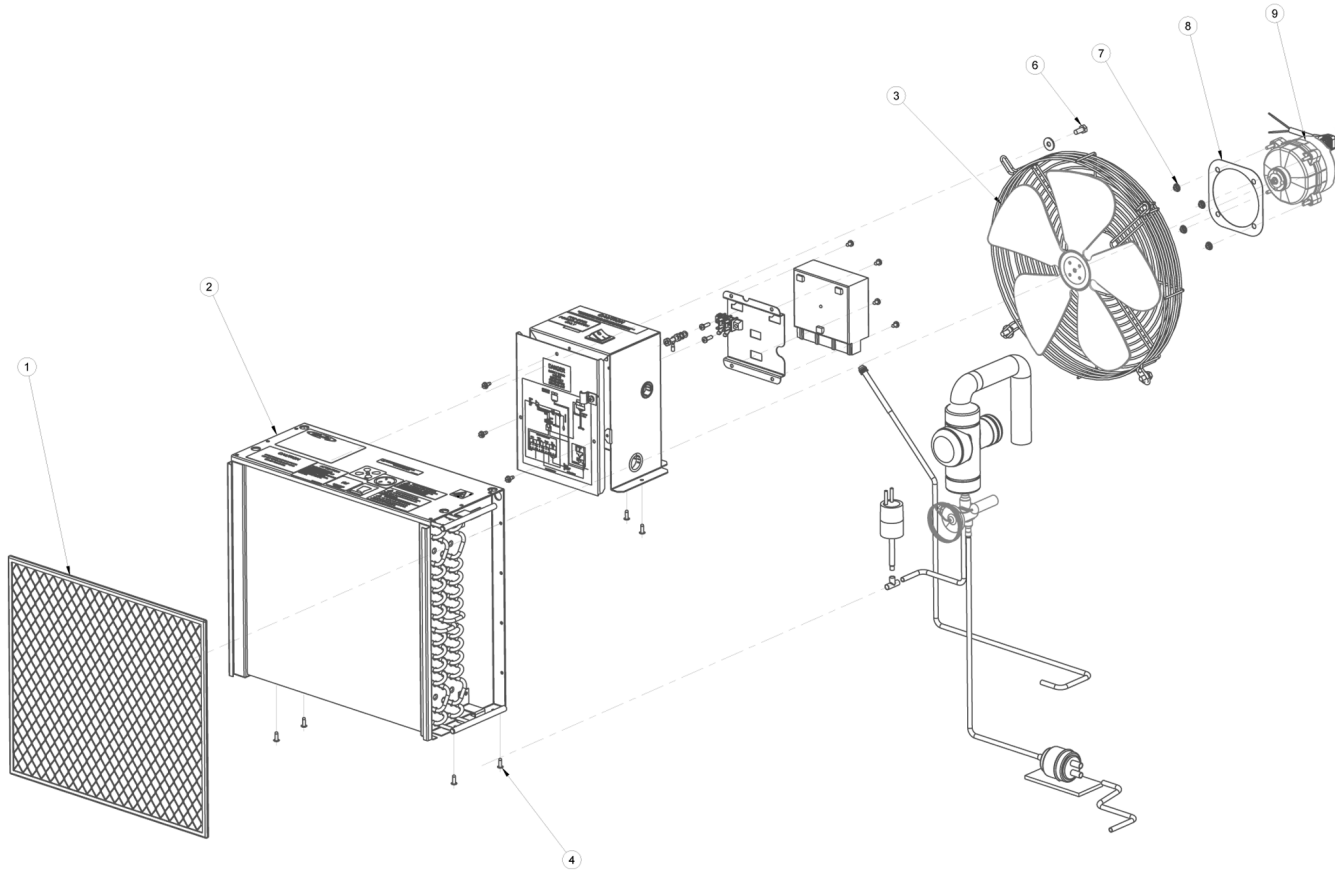


Figure 4.

Item No.	Part No.	Name
1	7814-0063	CONDENSER AIR FILTER
2	4100-0220	COND COIL
3	A300-19	ALUMINIUM BLADE DIA. 300MM PITCH 19°
4	84T4X10XXXCCA00	RIVET
5	G30035	FAN GRILL
6	84FM6X14XXTESF00	SCREW, HEX
7	84DM4X3.6XXESRF00	FLANGE LOC NUTS
8	9221-0032	PLATE MOTOR
9	7105-0027	FAN MOTOR 115-60 AND 230-50

WATER BATH & COOLING COILS

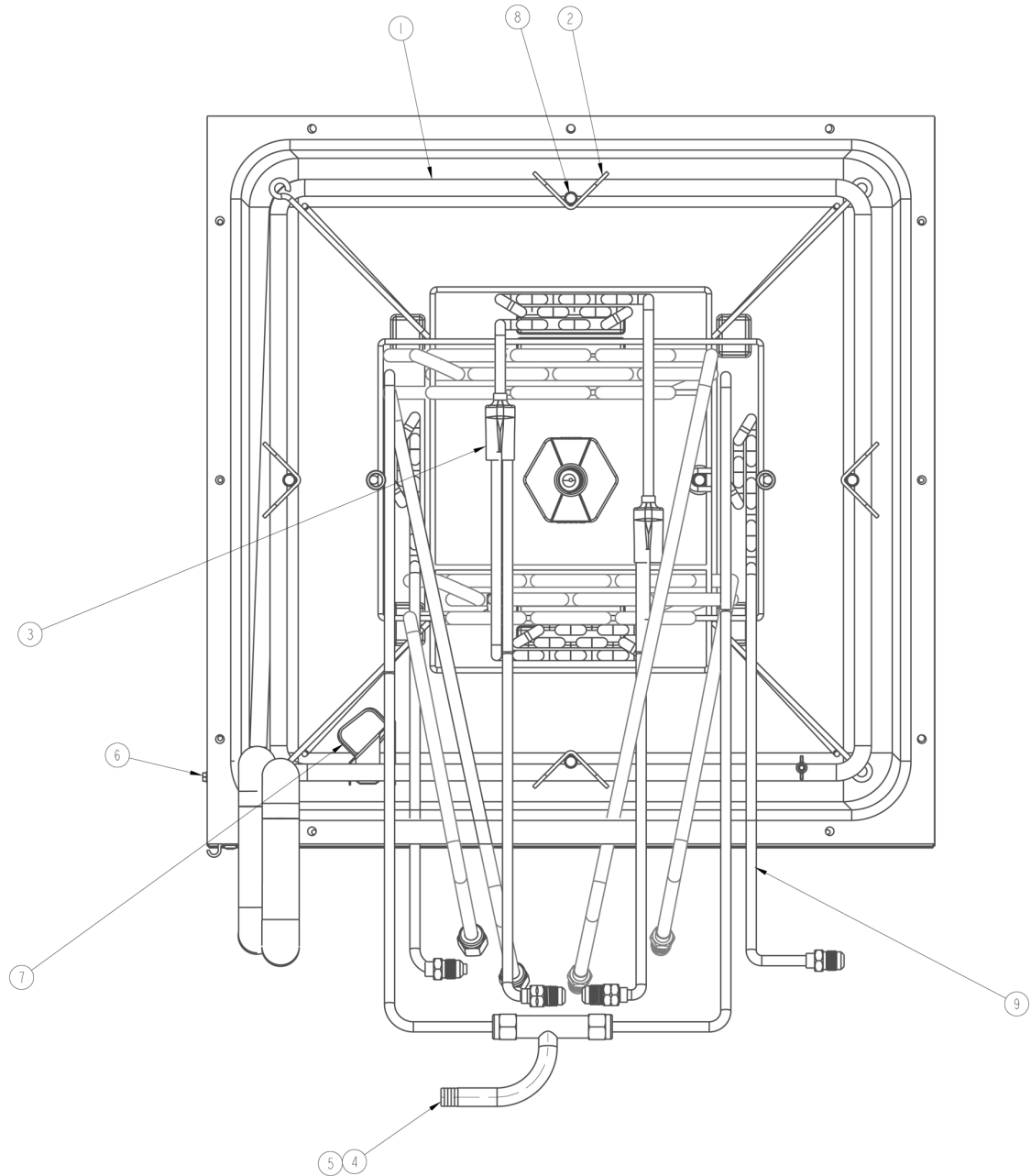


Figure 5.

Item No.	Part No.	Name
1	6824-0012	EVAP COIL
2	7299-0036	SPACER EVAP
3	560002705	FITG COIL
4	7814-0068	GASKET 3/8 MF
5	7206-0079	FITG T 3/8-FLARE BY 1/2-BARB
6	9500-0052	SCREW TR 8-32 HXWS 12
7	9220-0420	HOLDER PROBE
8	7299-0045	ROD SUPPORT
9	7814-0083	WATER LINE ASSY

PRESSURE LIMITER, FILTER DRIER & INSULATION

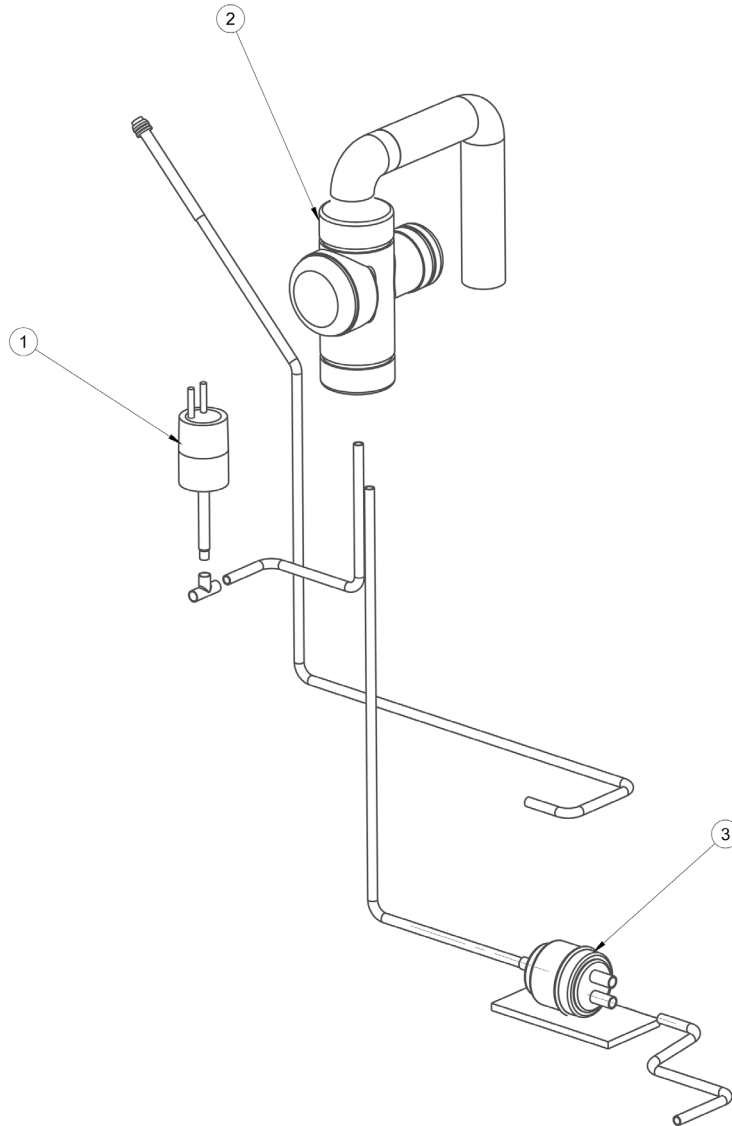


Figure 6.

Item No.	Part No.	Name
1	7213-0060	PRESSURE-LIMITING CONTROL
2	99510160	INSULATION FOAM
3	DML152X2-25	FILTER DRIER

AGITATOR ASSEMBLY

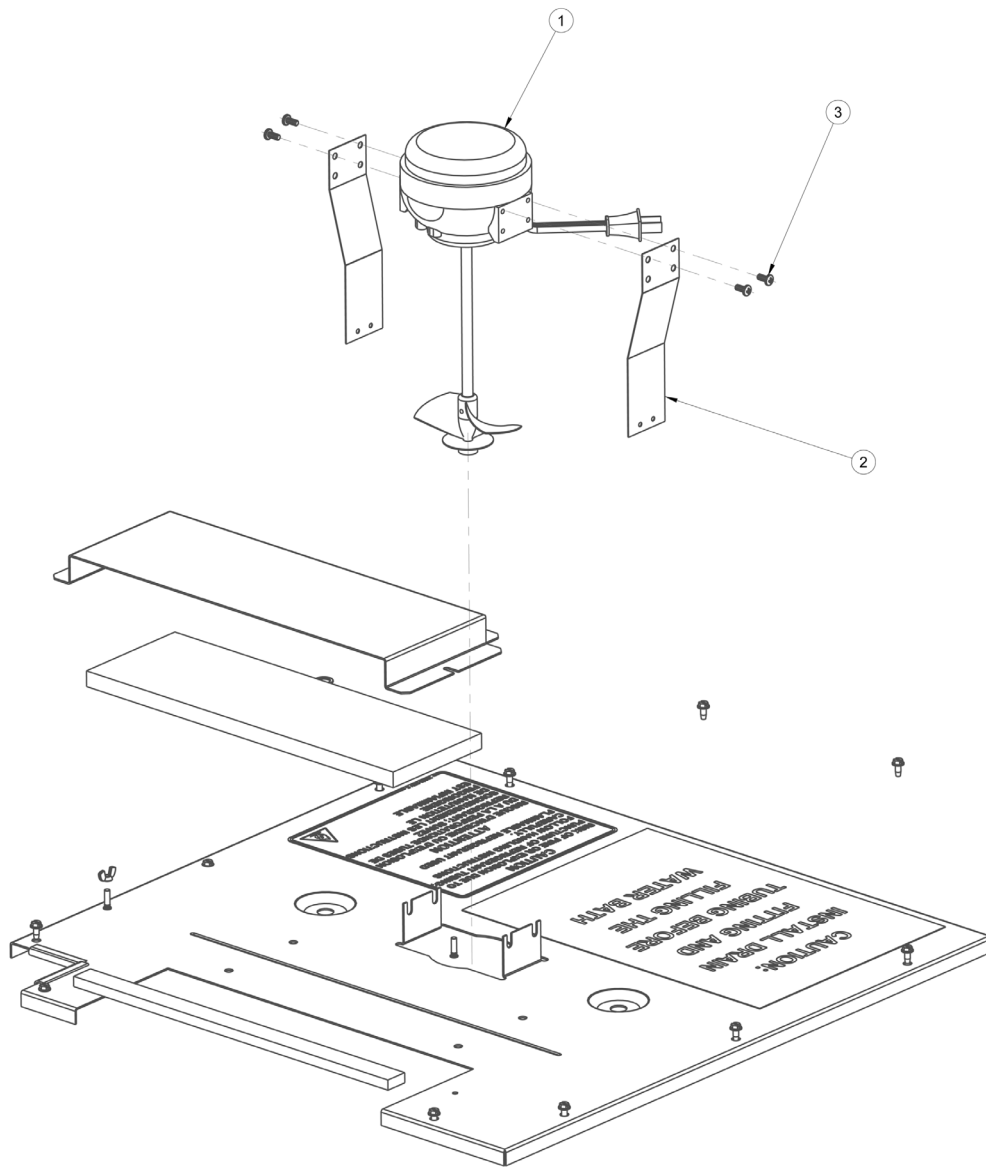


Figure 7.

Item No.	Part No.	Name
1	7105-0046 7105-0047	MOTOR AGITATOR, 115V, 60HZ - REF# 111778000 MOTOR AGITATOR, 230V, 50HZ - REF# 560002780
2	9220-0446	PLATE, HEAT TRANSFER
3	9500-0053	SCREW, SE 8-36 PAPH 12

BATH COILS - TUBE AND WATER ASSEMBLIES

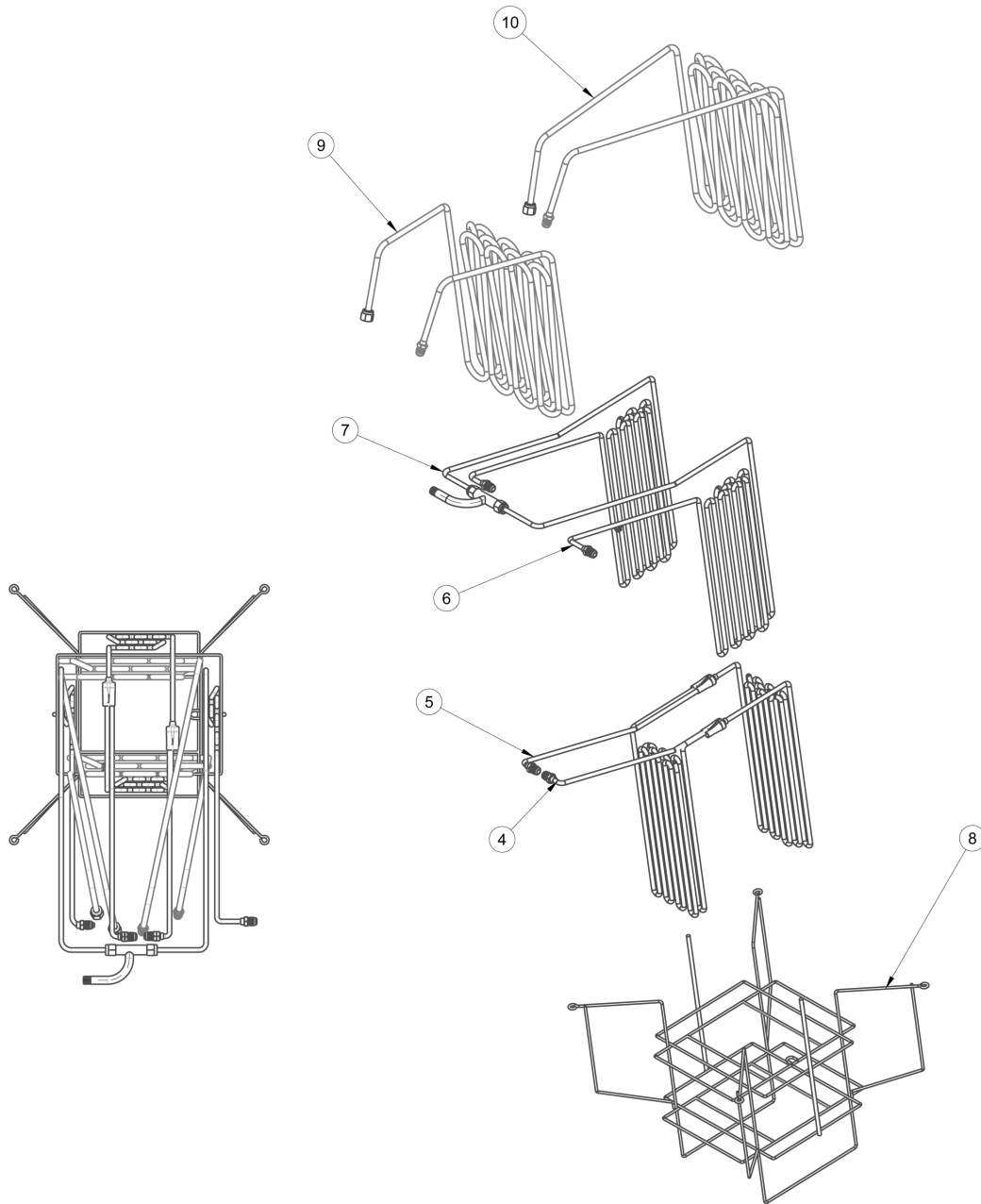


Figure 8.

Item No.	Part No.	Name
1	7814-0079	COIL AND TUBE ASY (INCLUDES 4-13)
2	7814-0072	COIL WTR ASY (INCLUDES 5-8)
3	560000269	COIL COOLING
4	560000244	TUBE WATER IN
5	560000246	TUBE WATER OUT
6	7202-0078	COIL CARB WATER
7	7206-0077	COIL COOLING
8	7814-0079	RACK COIL
9	620073987	WATER LINE ASSY REAR
10	620073988	WATER LINE ASSY FRONT

Marmon Foodservice Technologies Inc.
www.marmonfoodservice.com
www.cornelius.com