

---

# ABS 2.0

## Illustrated Parts List



Release Date: TBD

Publication Number: 621058590IPL

Revision Date: November 18, 2019

Revision: 1

Visit the Cornelius web site at [www.cornelius.com](http://www.cornelius.com) for all your Literature needs.

---

## Notice

The products, technical information, and instructions contained in this manual are subject to change without notice. These instructions are not intended to cover all details or variations of the equipment, nor to provide for every possible contingency in the installation, operation or maintenance of this equipment. This manual assumes that the person(s) working on the equipment have been trained and are skilled in working with electrical, plumbing, pneumatic, and mechanical equipment. It is assumed that appropriate safety precautions are taken and that all local safety and construction requirements are being met, in addition to the information contained in this manual.

This Product is warranted only as provided in Cornelius' Commercial Warranty applicable to this Product and is subject to all of the restrictions and limitations contained in the Commercial Warranty.

Cornelius will not be responsible for any repair, replacement or other service required by or loss or damage resulting from any of the following occurrences, including but not limited to, (1) other than normal and proper use and normal service conditions with respect to the Product, (2) improper voltage, (3) inadequate wiring, (4) abuse, (5) accident, (6) alteration, (7) misuse, (8) neglect, (9) unauthorized repair or the failure to utilize suitably qualified and trained persons to perform service and/or repair of the Product, (10) improper cleaning, (11) failure to follow installation, operating, cleaning or maintenance instructions, (12) use of "non-authorized" parts (i.e., parts that are not 100% compatible with the Product) which use voids the entire warranty, (13) Product parts in contact with water or the product dispensed which are adversely impacted by changes in liquid scale or chemical composition.

## Correct Disposal of this Product



**RECYCLE**

This marking indicates that this product should not be disposed with other household wastes throughout the EU. To prevent possible harm to the environment or human health from uncontrolled waste disposal, recycle it responsibly to promote the sustainable reuse of material resources. To return your used device, please use the return and collection systems or contact the retailer where the product was purchased. They can take this product for environmental safe recycling.

## Trademarks and Copyrights

This document contains proprietary information and it may not be reproduced in any way without permission from Cornelius. This document contains the original instructions for the unit described.

CORNELIUS INC  
101 Regency Drive  
Glendale Heights, IL  
Tel: + 1 800-238-3600

Printed in U.S.

## Contact Information

To inquire about current revisions of any documentation or assistance with any Cornelius product, contact:

**[www.cornelius.com](http://www.cornelius.com)**  
**800-238-3600**

---

# TABLE OF CONTENT

Top Level .....	1
1. Carousel Assembly .....	2
1.1 Carousel Cover Assembly .....	3
1.2 Carousel Drive Assembly .....	4
1.3 Cup Rest Assembly .....	5
1.4 Index Sensor .....	6
1.5 Carousel Motor Assembly .....	7
2. Turret Assembly .....	8
2.1 Cup Dispenser - Large .....	9
2.2 Cup Dispenser - Medium .....	10
2.3 Cup Dispenser - Small .....	11
2.4 Cup Dispenser - Child .....	12
2.5 Large Cup Refill Guide Kit .....	13
2.6 Medium-Small Cup Refill Guide Kit .....	14
2.7 Child Cup Refill Guide Kit .....	15
3. Nozzle / Diffuser / Seal .....	16
4. Ice Chute Assembly .....	17
5. CO <sub>2</sub> Manifold Assembly .....	18
6. Regulator Assembly .....	20
7. Door Assembly .....	21
8. Door Latch / MFV Board Assembly .....	22
9. Last Cup Sensor Cover .....	23
10. Column Turret Assembly .....	24
11. Agitator Kit Assembly .....	25
12. Ice-maker Adapter Accessories .....	26
12.1 Manual Fill Lid - Ice Maker Adapter .....	27
12.2 Latch Assembly For Ice Fill Lid .....	28
13. Kit Chimney ABS 2.0 .....	29
14. E-Box Assembly .....	30
15. Grabber Lifter .....	31
16. Display Assy Dual ABS 2.0 .....	32
17. Lid Hopper ABS 2.0 .....	33
18. Val Assy 2 X 2 MFV .....	34
19. Panel Lower Front With Door .....	35
20. Kit 4 Leg .....	36
21. Kit 4 Caster .....	36
22. Power cords (Region Specific) .....	37
23. User Guide Document's .....	37



# TOP LEVEL

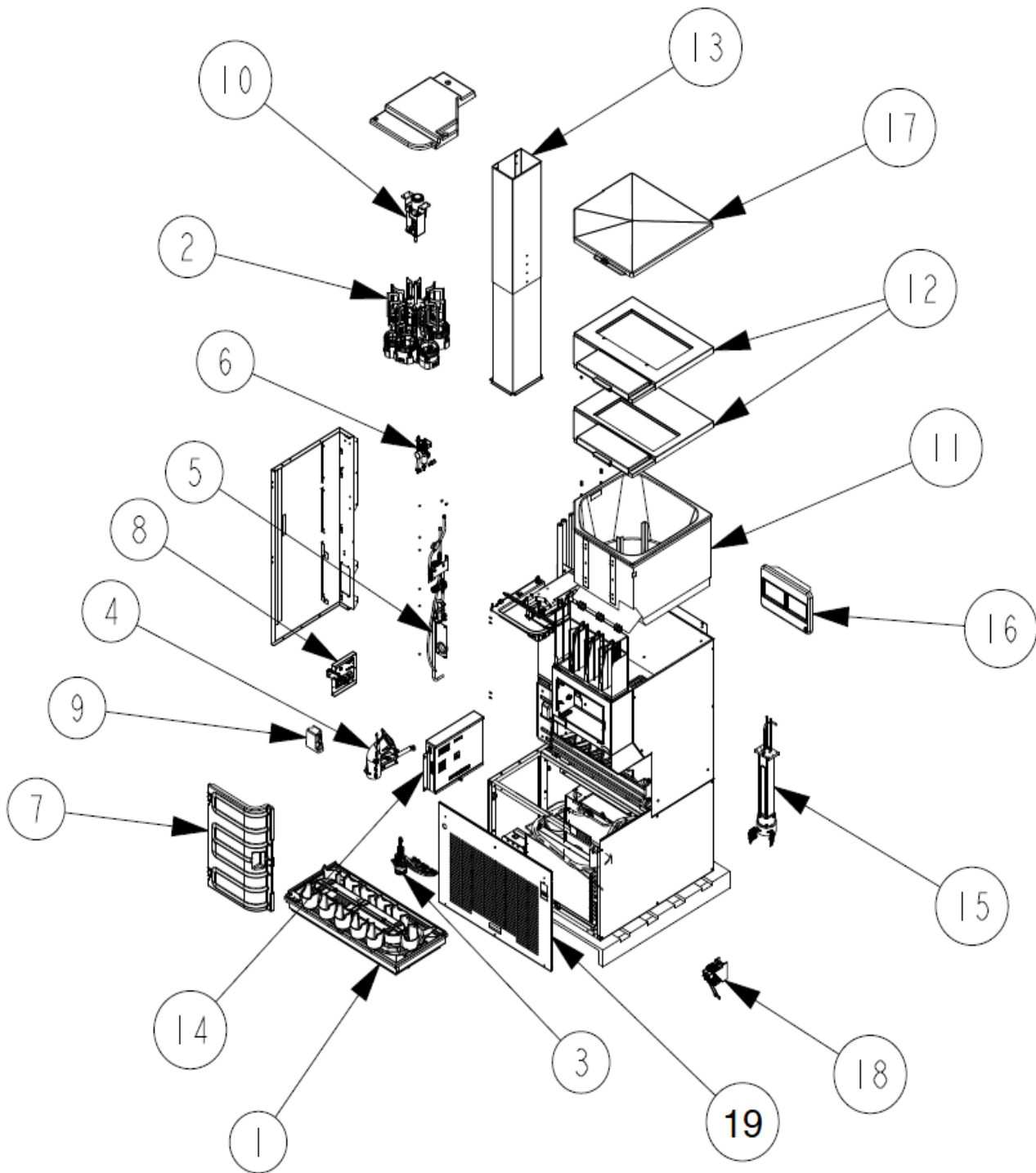


Figure 1

# 1. CAROUSEL ASSEMBLY

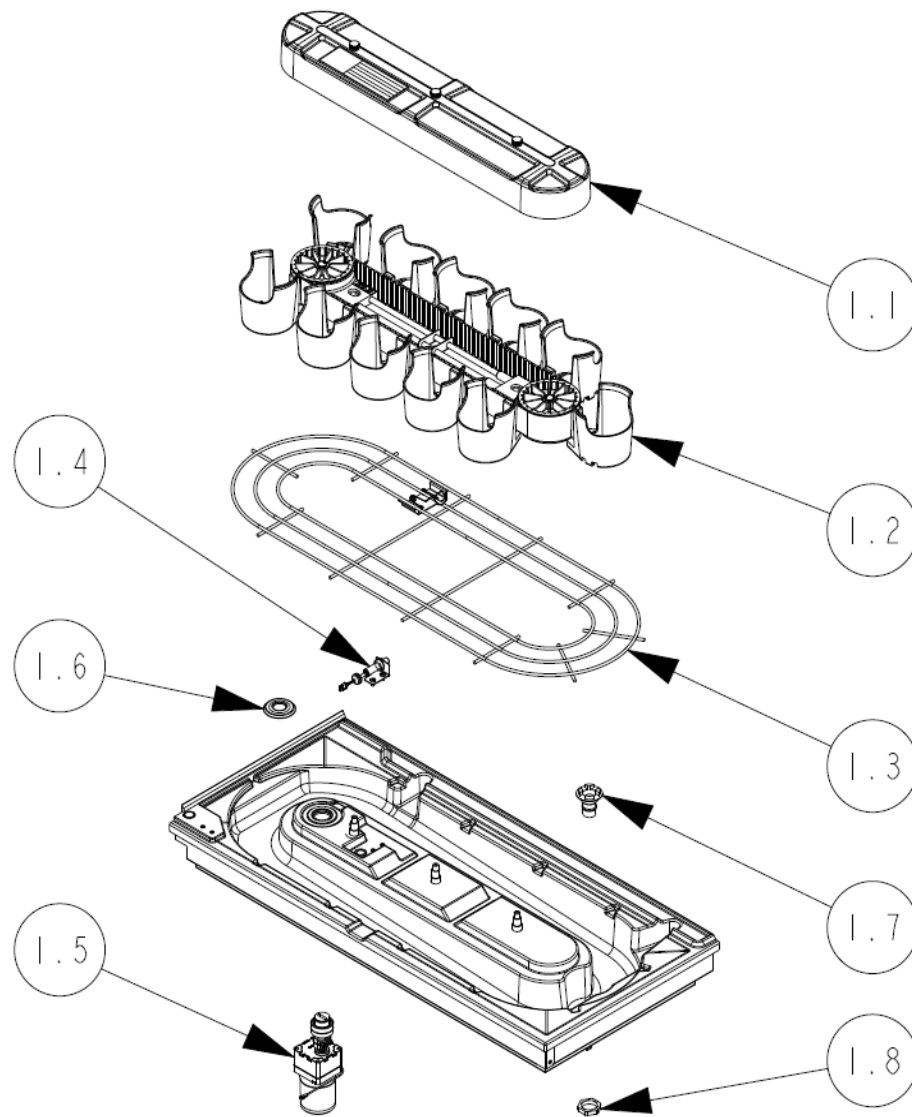


Figure 2

Item No	Name	Page
1.1	CAROUSEL COVER ASSEMBLY	See Figure 3 on page 3
1.2	CAROUSEL DRIVE ASSEMBLY	See Figure 4 on page 4
1.3	CUP REST ASSEMBLY	See Figure 5 on page 5
1.4	INDEX SENSOR ASSEMBLY	See Figure 6 on page 6
1.5	CAROUSEL MOTOR ASSEMBLY	See Figure 7 on page 7

Item No	Part No.	Name
1.6	560002729	DEFLECTOR WTR CONVEY CPLG ABS
1.7	560000323	FITG-DRAIN ABS
1.8	560000324	DRAIN NUT FITG ABS

### 1.1 CAROUSEL COVER ASSEMBLY

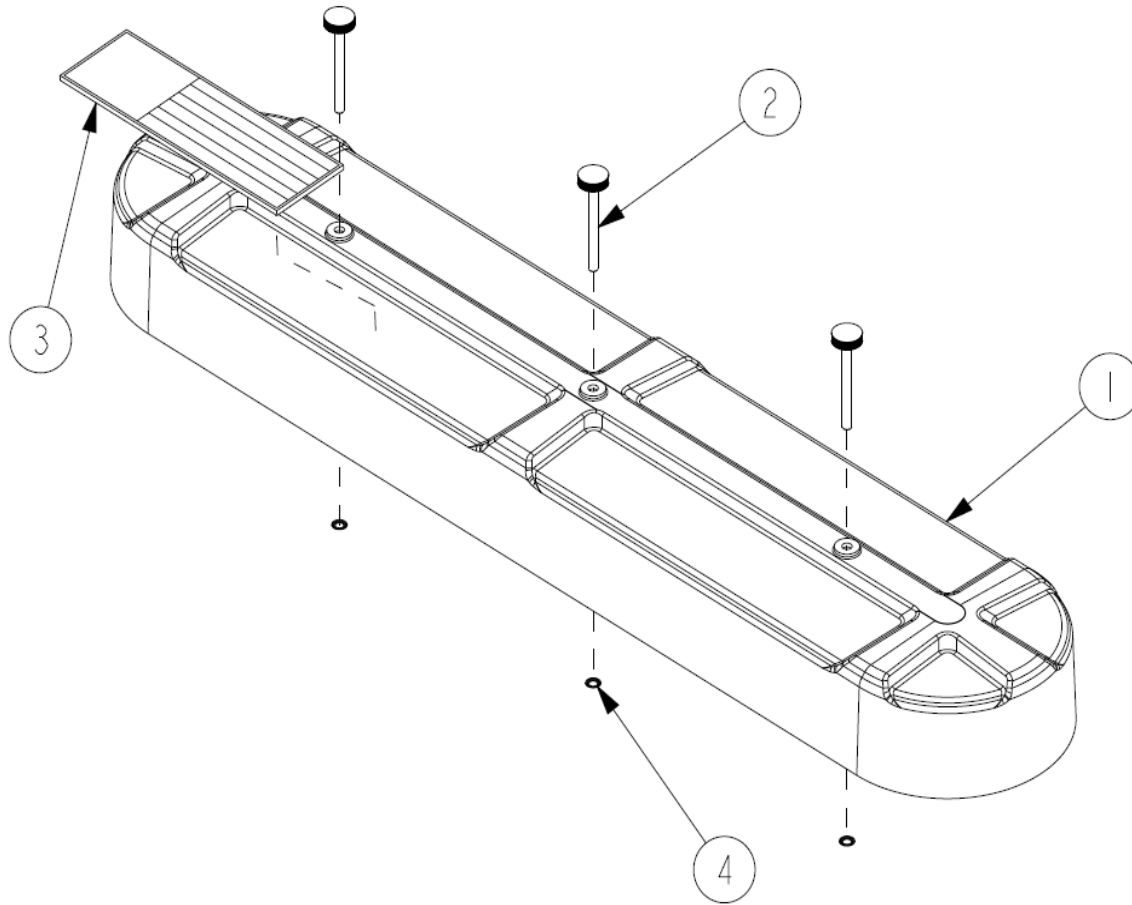


Figure 3

Item No	Part No.	Name
1	620063266	COVER CAROUSEL
2	560000327	SCREW WG 10-24 THMB 64 SSPA
3a	620072412	LABEL CAUTION "MOVING PARTS CRUSH"
3b	620072412GER	LABEL CAUTION "MOVING PARTS CRUSH" GER
4	560001547	RETAINER RING CAROUSEL COVER ABS
	2618027	KIT CAROUSEL COVER ABS 2.0

## 1.2 CAROUSEL DRIVE ASSEMBLY

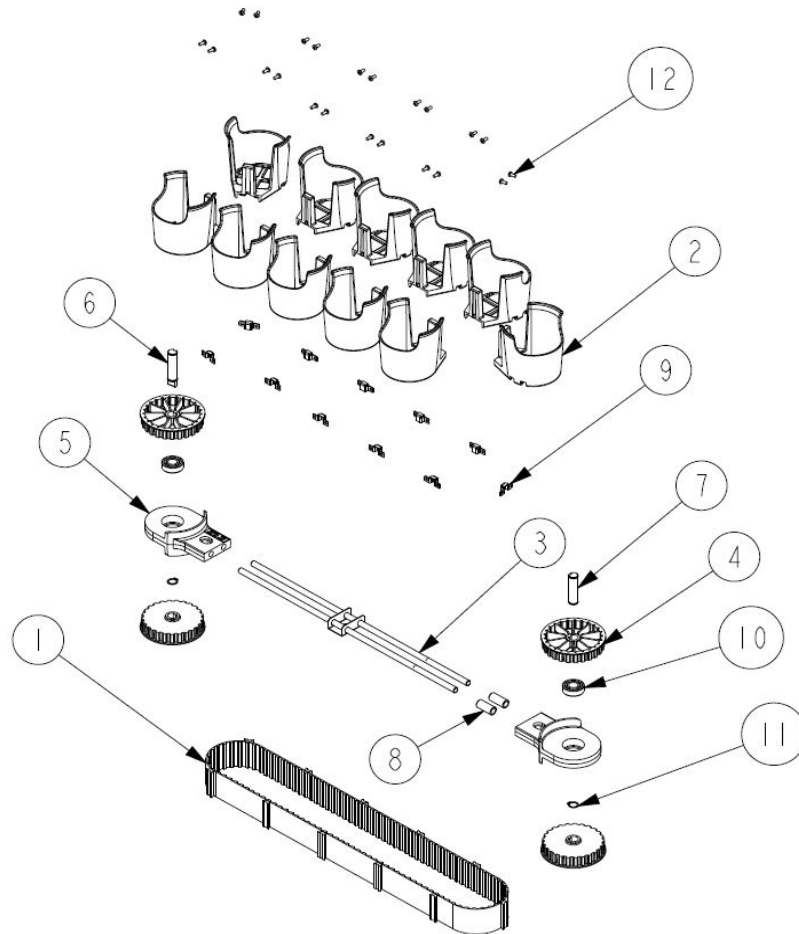


Figure 4

Item No	Part No.	Name
1	620063258	BELT-DRIVE CAROUSEL 55 IN 0.5 PITCH
2	620063259	HOLDER CUP CAROUSEL
3	620063265	SPACER BELT TENSION CAROUSEL
4	620063264	GEAR CAROUSEL 25 TEETH 0.5 PITCH
5	620063262	HOUSING BEARING CAROUSEL
6	560000308	SHAFT GEAR KEYED CONVEY ABS
7	560000309	SHAFT GEAR CAROUSEL ABS
8	560001587	NUT CAROUSEL 3/8-24 SS ABS
9	620065685	BRKT CUP HOLDER SENSOR
10	560000326	BEARING BALL 591 X 1.378
11	560000331	RETAINER RING INT 55OD 035THK SS
12	84350001	SCREW 8X3/8 SS PH PLASTILOK
13*	560002771	LABEL INSTRU ABS INSTALL
	2617445	KIT CAROUSEL ASSEMBLY ABS 2.0
	2618028	KIT CAROUSEL CUP HOLDER ABS 2.0

NOTE: \* NOT SHOWN



### 1.3 CUP REST ASSEMBLY

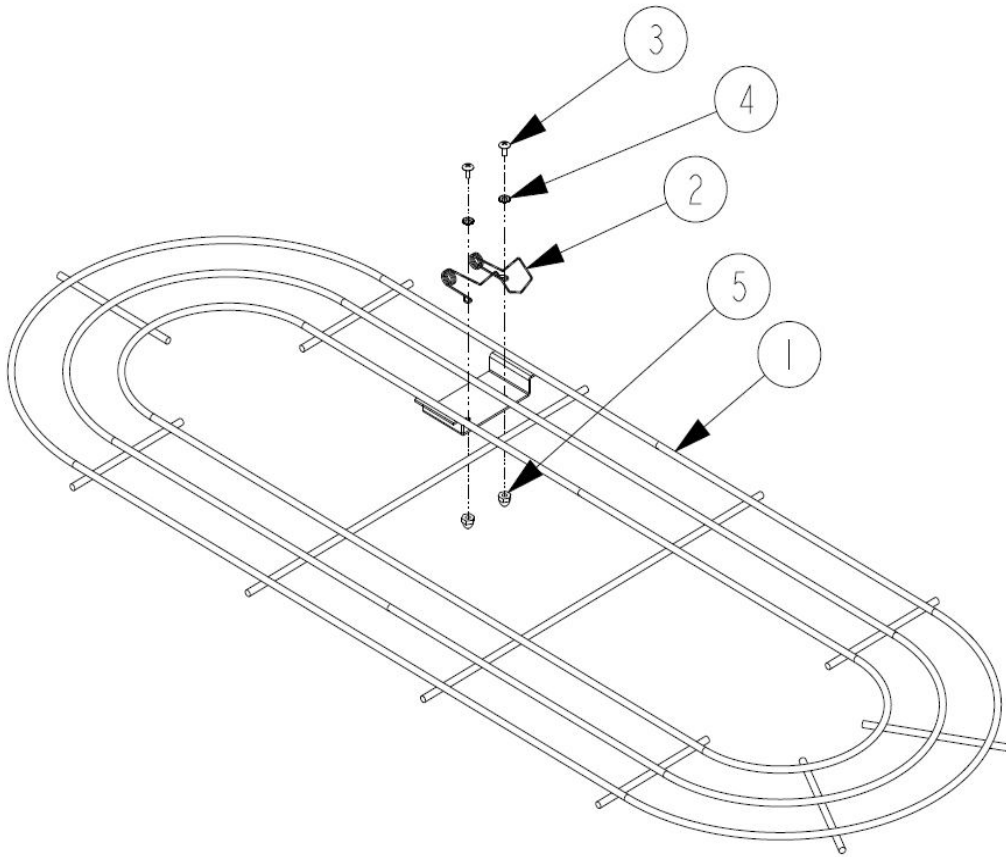


Figure 5

Item No	Part No.	Name
1	620063267	CUP REST CAROUSEL
2	560000368	SPRING CUP LOCATOR ABS
3	318733000	SCREW MA 06-32 TRPH 10 SS
4	322967000	WSHR EXTL-A#06-0142-0317-020-ST-ZN
5	560000399	NUT ACRN 06-32 SS
	2618199	KIT CUP REST ABS 2.0

### 1.4 INDEX SENSOR

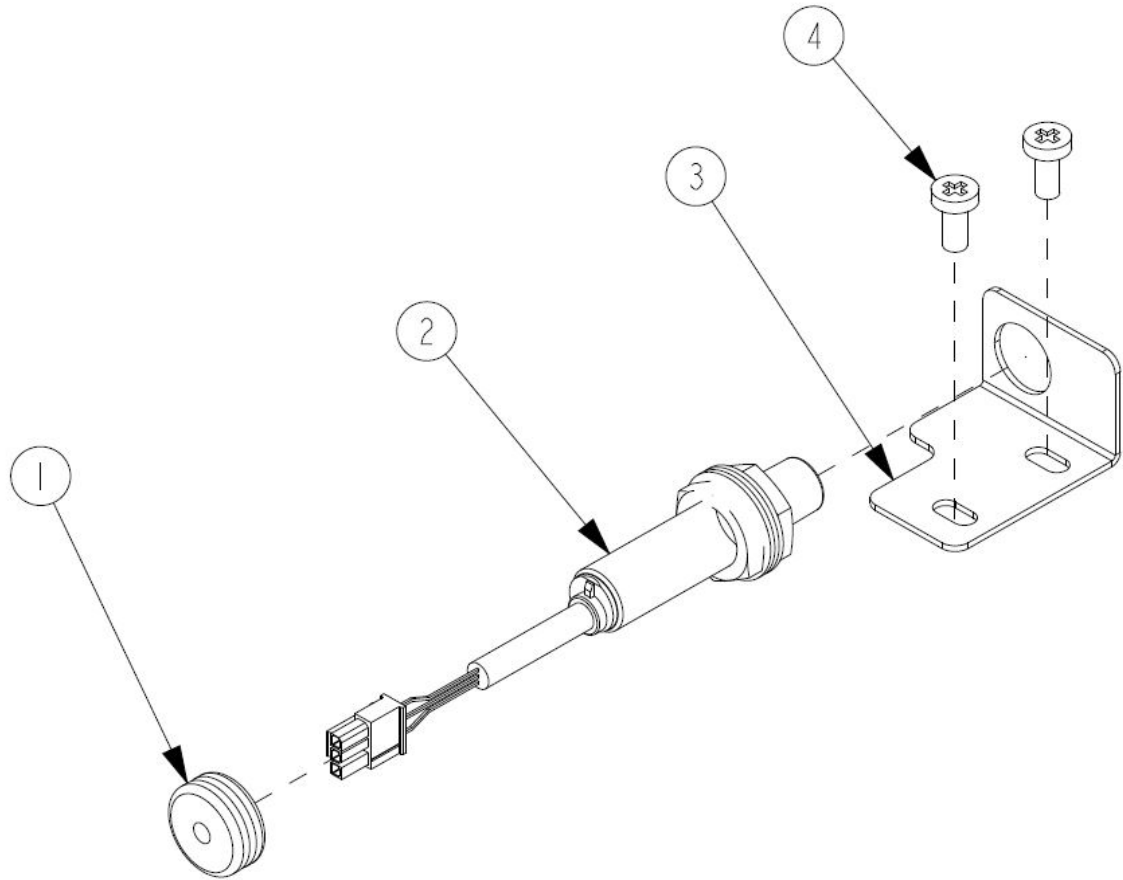


Figure 6

Item No	Part No.	Name
1	620067930	GROMMET INDEX SENSOR
2	620063256	SENSOR, INDEXING
3	620200143	BRKT INDEX SENSOR
4	70171	SCREW MA 08-32 TRPH 12 SS
	2617641	KIT INDEX SENSOR ABS 2.0

### 1.5 CAROUSEL MOTOR ASSEMBLY

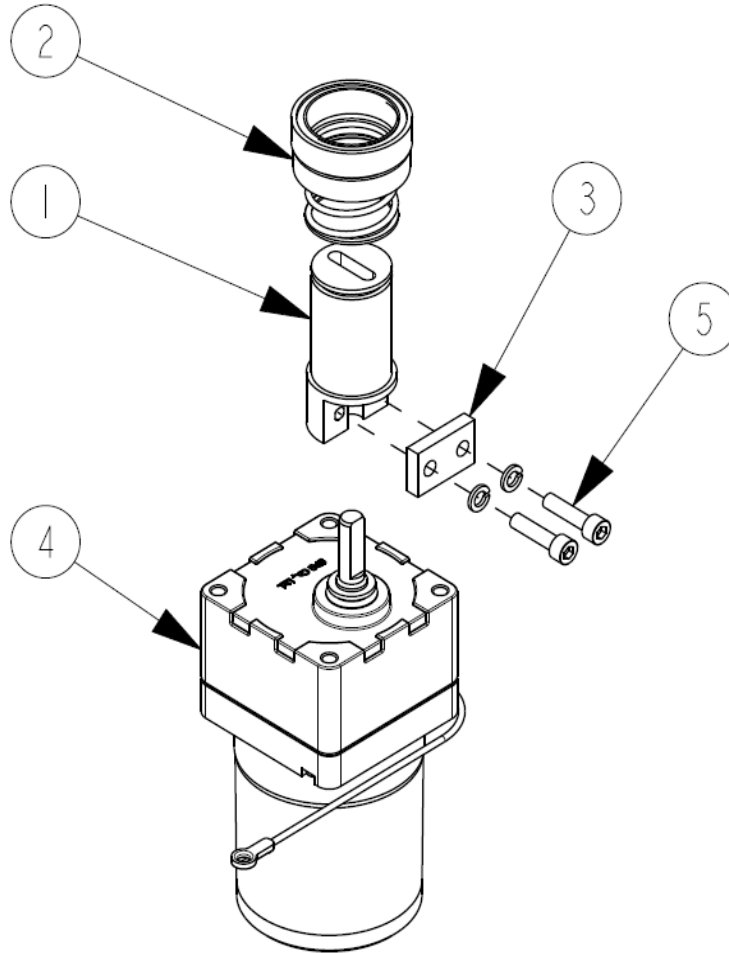


Figure 7

Item No	Part No.	Name
1	620071163	SHAFT SUPER SEAL
2	620519602	CAROUSEL SUPER SEAL ABS
3	560001551	COUPLING CAROUSEL ABS
4A	620065920	MOTOR CAROUSEL 115V - 60HZ
4B	620071052	MOTOR CAROUSEL 230V - 50/60 HZ
5	560001560	SCREW MA 10-32 HXSO 24 SS

## 2. TURRET ASSEMBLY

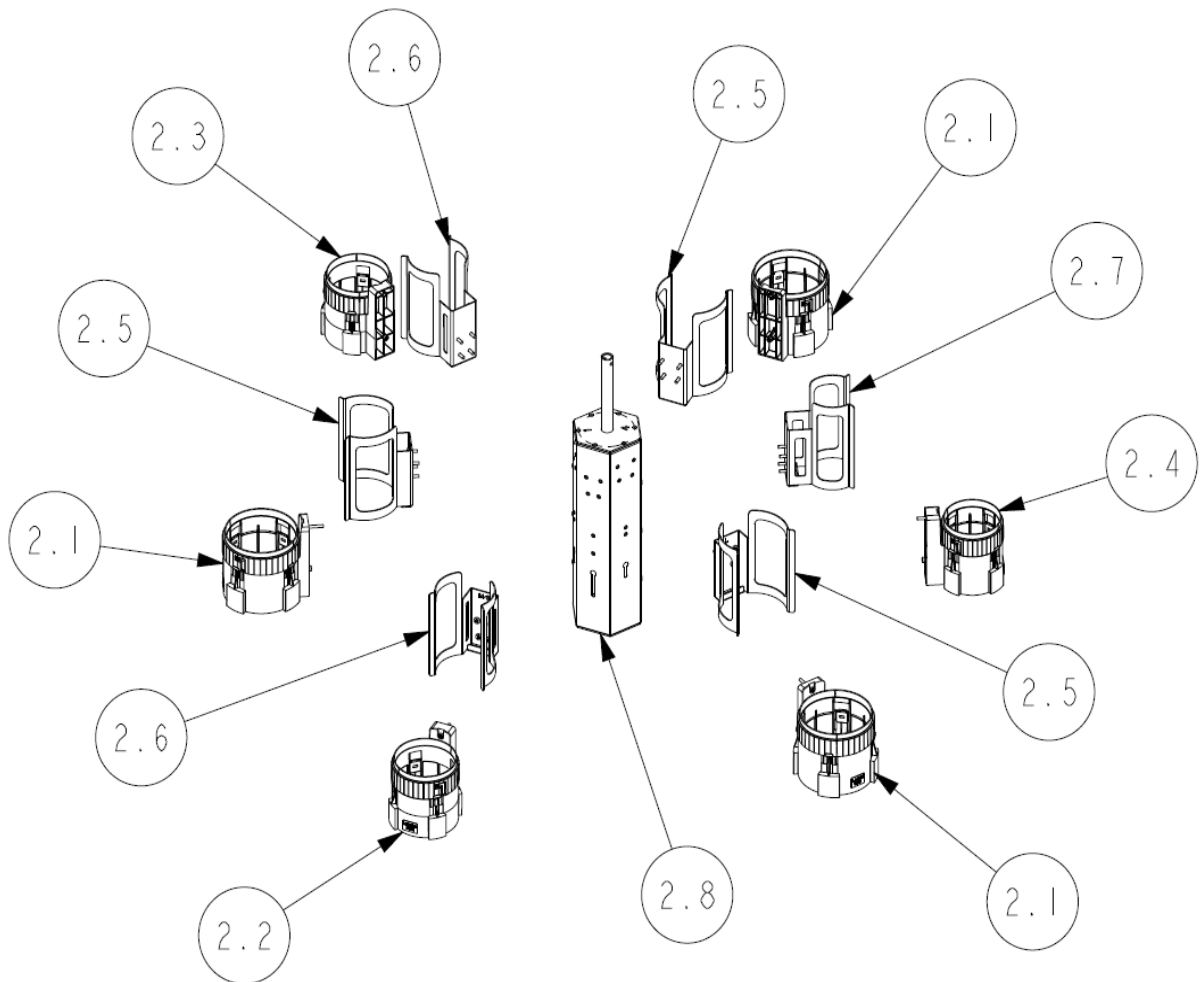


Figure 8

Item No	Name	Page
2.1	CUP DISPENSER - LARGE	See Figure 9 on page 9
2.2	CUP DISPENSER - MEDIUM	See Figure 10 on page 10
2.3	CUP DISPENSER - SMALL	See Figure 11 on page 11
2.4	CUP DISPENSER - CHILD	See Figure 12 on page 12
2.5	LARGE CUP REFILL GUIDE KIT	See Figure 13 on page 13
2.6	MEDIUM/SMALL CUP REFILL GUIDE KIT	See Figure 14 on page 14
2.7	CHILD CUP REFILL GUIDE KIT	See Figure 15 on page 15
	<b>Part No.</b>	
2.8a	TURRET KIT 115V	2618091
2.8b	TURRET KIT 230V	
2.9*	PIN DOWEL	620057840
2.10*	PIN HAIRPIN COTTER 5/8 LG SS	620070685

NOTE: \* NOT SHOWN

**2.1 CUP DISPENSER - LARGE**

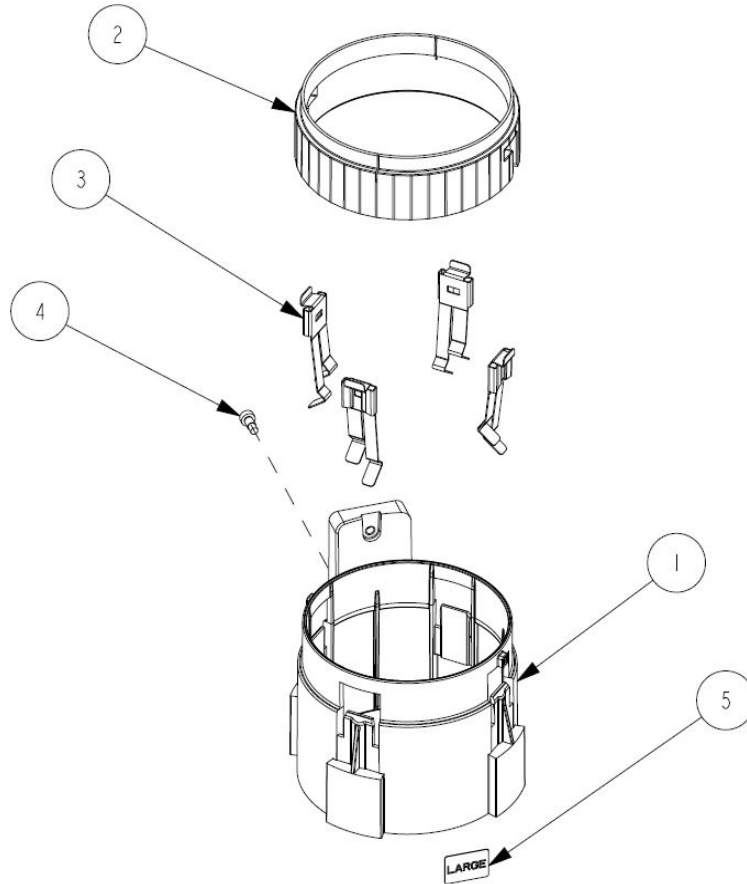


Figure 9

Item No	Part No.	NAME
1	620062149	DISP CUP 32 OZ
2	620062150	LOCK RING 32 OZ CUP
3	620070415	BRKT FINGER, ABS 2.0
4	620720587	SCREW SH 08-32 PH 08 SS
5	620919971	LABEL MARKER 'LARGE' ABS 43/SHEET
	2617127	KIT CUP DISPENSER LARGE ABS 2.

## 2.2 CUP DISPENSER - MEDIUM

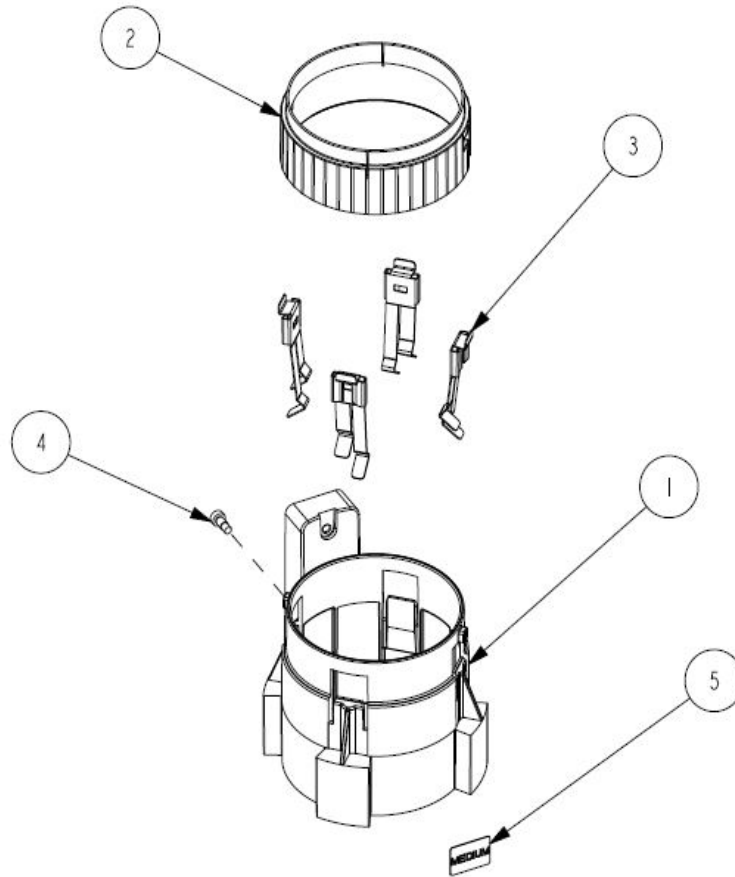


Figure 10

Item No	Part No.	Name
1	620062093	DISP CUP 16OZ 21OZ
2	620062094	LOCK RING 16OZ 21OZ CUP
3	620070415	BRKT FINGER, ABS 2.0
4	620720587	SCREW SH 08-32 PH 08 SS
5	620919970	LABEL MARKER 'MEDIUM' ABS 43/SHEET
	2617125	KIT CUP DISPENSER MEDIUM ABS 2.0

### 2.3 CUP DISPENSER - SMALL

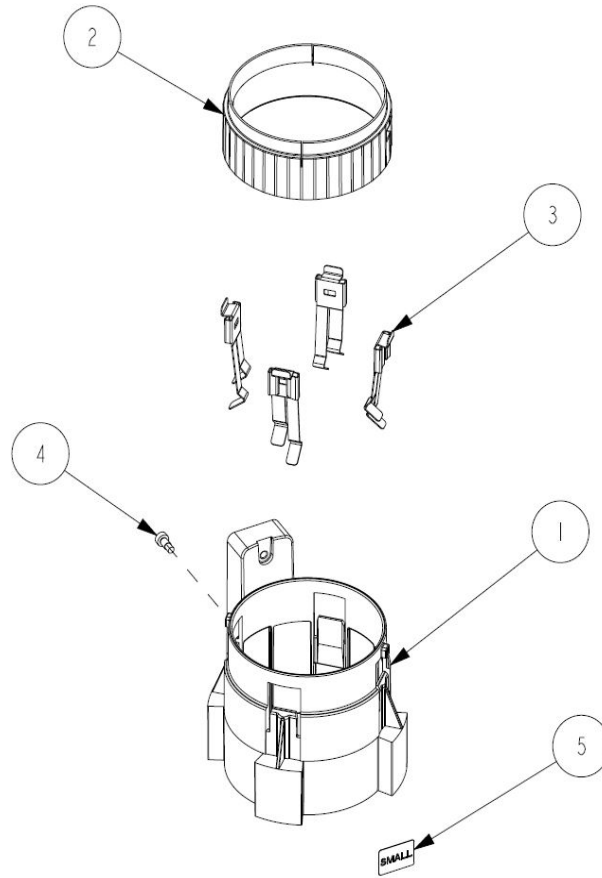


Figure 11

Item No	Part No.	Name
1	620062093	DISP CUP 16OZ 21OZ
2	620062094	LOCK RING 16OZ 21OZ CUP
3	620070415	BRKT FINGER, ABS 2.0
4	620720587	SCREW SH 08-32 PH 08 SS
5	620919969	LABEL MARKER 'SMALL' ABS 2.0 43/SHEET
	2617124	KIT CUP DISPENSER SMALL ABS 2.0

## 2.4 CUP DISPENSER - CHILD

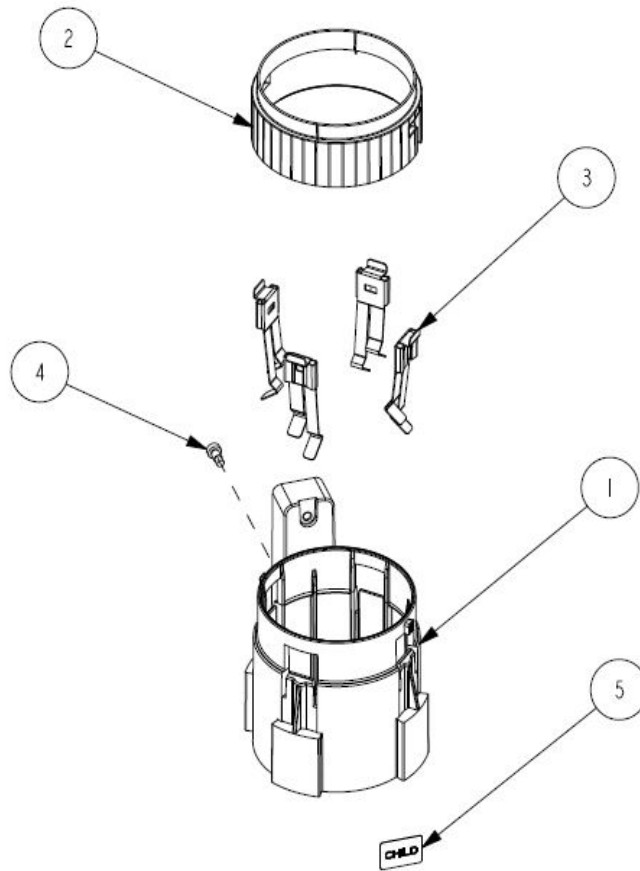


Figure 12

Item No	Part No.	Name
1	620062157	DISP CUP 12 OZ
2	620062158	LOCK RING 12 OZ
3	620070415	BRKT FINGER, ABS 2.0
4	620720587	SCREW SH 08-32 PH 08 SS
5	620919969	LABEL MARKER 'SMALL' ABS 2.0 43/SHEET
	2617123	KIT CUP DISPENSER CHILD ABS 2.0



## 2.5 LARGE CUP REFILL GUIDE KIT

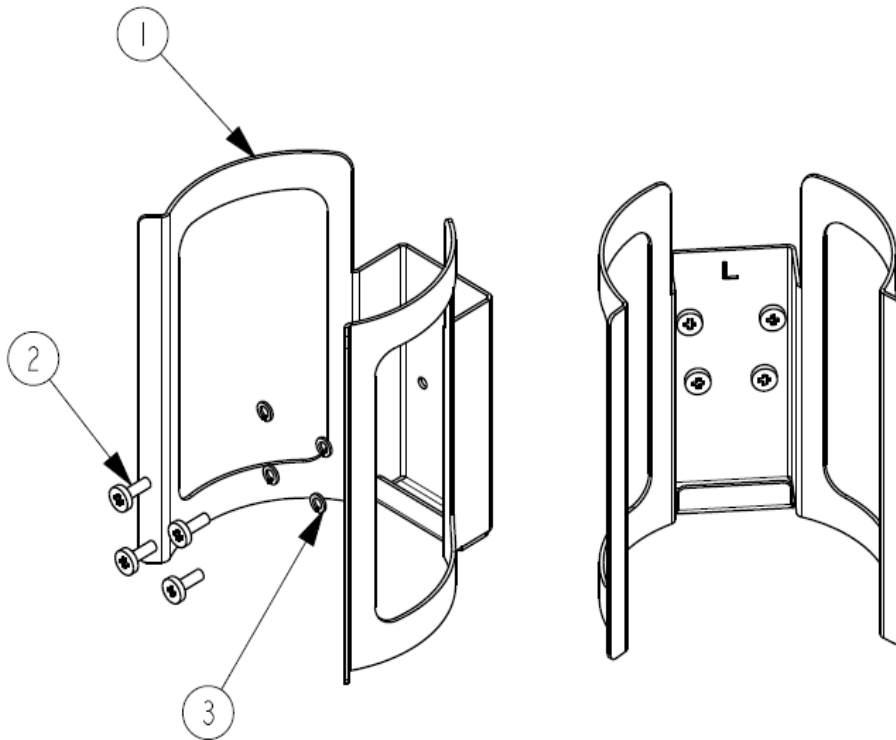


Figure 13

Item No	Part No.	Name
1	620069257	GUIDE CUP REFILL LARGE
2	0704105	SCREW MA 08-32 TRPH 16 SS
3	70050	WSHR SL-A#08-0174-0293-040-S8-XX
	2618087	KIT CUP REFILL LARGE ABS 2.0

## 2.6 MEDIUM-SMALL CUP REFILL GUIDE KIT

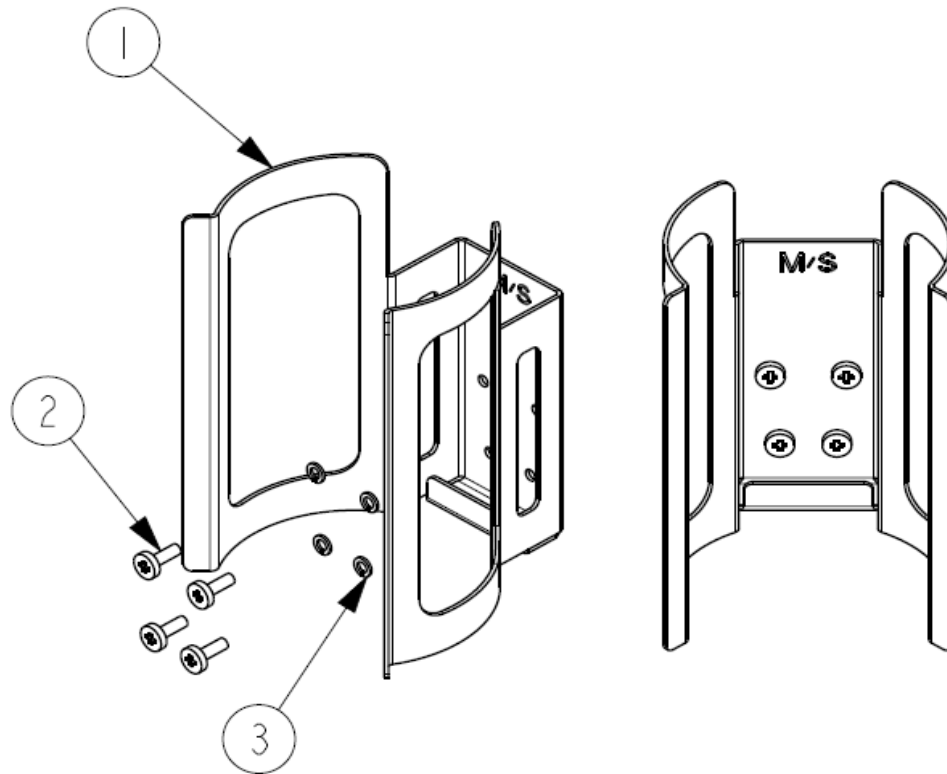


Figure 14

Item No	Part No.	Name
1	620069258	GUIDE CUP REFILL MEDIUM/SMALL
2	0704105	SCREW MA 08-32 TRPH 16 SS
3	70050	WSHR SL-A#08-0174-0293-040-S8-XX
	2618092	KIT CUP REFILL MEDIUM/SMALL ABS 2.0

## 2.7 CHILD CUP REFILL GUIDE KIT

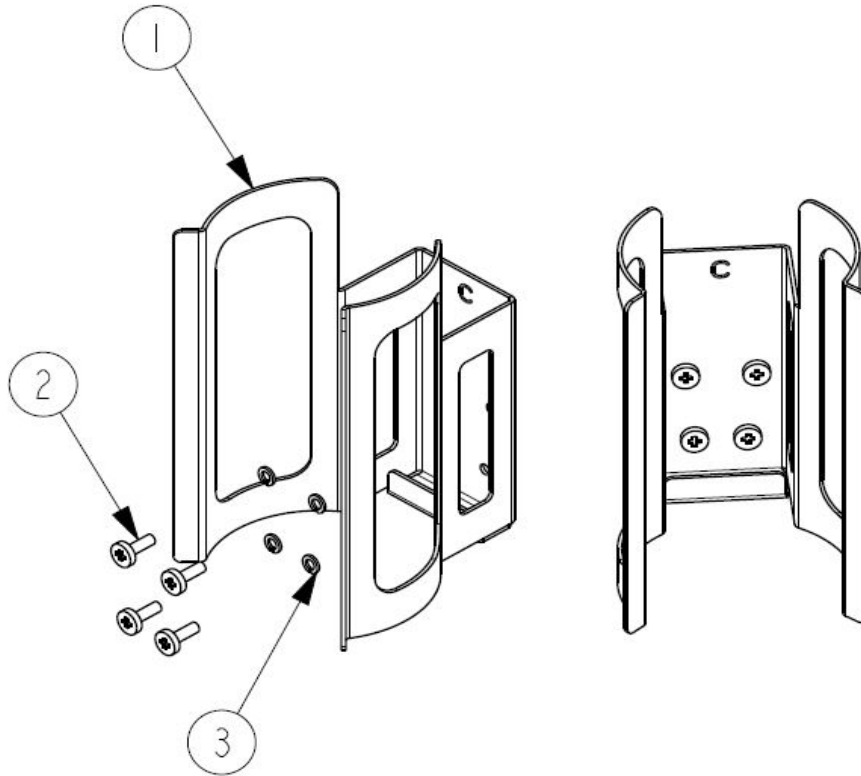


Figure 15

Item No	Part No.	Name
1	620069259	GUIDE CUP REFILL CHILD
2	0704105	SCREW MA 08-32 TRPH 16 SS
3	70050	WSHR SL-A#08-0174-0293-040-S8-XX
	2618089	KIT CUP REFILL CHILD ABS 2.0

### 3.NOZZLE / DIFFUSER / SEAL

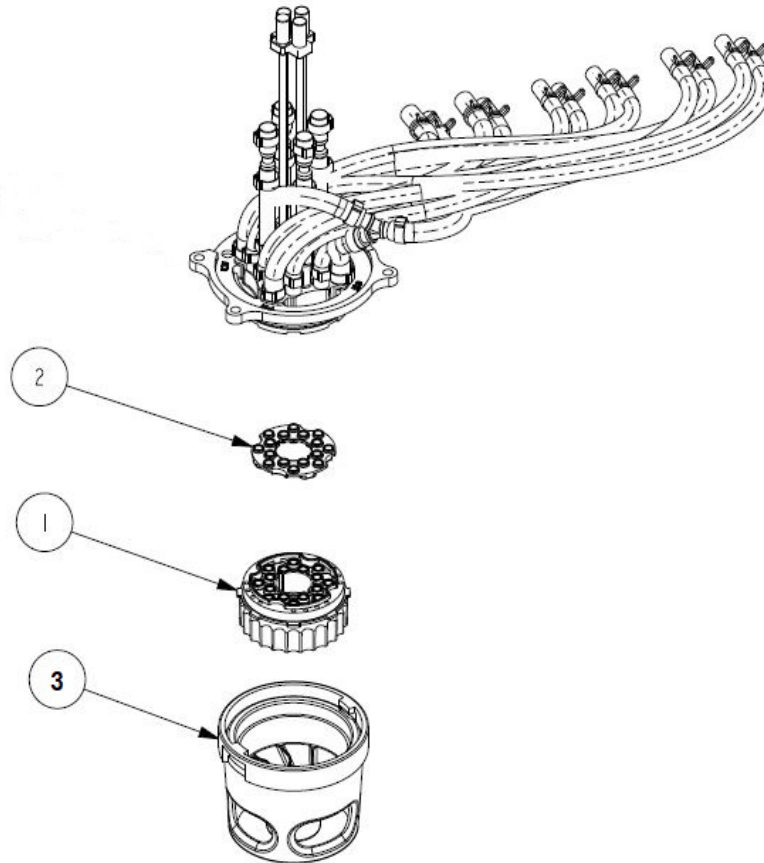


Figure 16

Item No	Part No.	Name
1	620070842	DIFFUSER MFV HIGH FLOW
2	620059737	SEAL, DIFFUSER OVERMOLD, MFV
3	620516520	HOUSING ASY NOZZLE OUTER MULTI FLAVOR
	2617757	KIT NOZZLE/DIFFUSER/SEAL ABS 2

### 4. ICE CHUTE ASSEMBLY

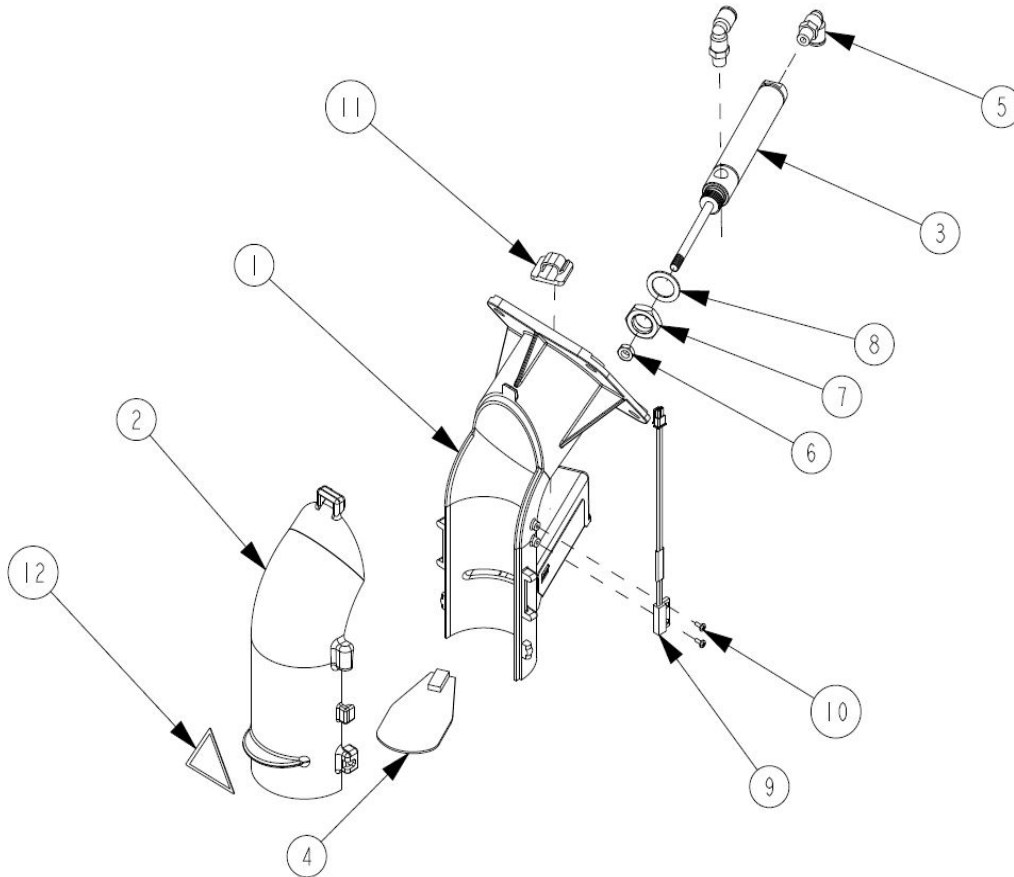


Figure 17

Item No	Part No.	Name
1	620063202	CHUTE ICE ABSNG
2	620063204	CHUTE ICE COVER ABSNG
3	620200411	CYLINDER AIR DOUBLE ACTING 2-1/2" STROKE
4	620048712	GATE SLIDE ASSY IDC PROGATE
5	620720630	FITG- 1/4 TUBE X 1/8 MPT
6	620701202	NUT HEX JAM 1/4-28 SS 400 SER
7	620701208	NUT HEX 5/8-18 SS JAM-SPC
8	620702505	BUSHING MACH 5/8X1X.048 SS FOR PROGATE AIR CYLINDER
9	620066339	SWITCH REED 59140 SERIES
10	620051184	SCREW 4 X 1/4" LOG PHILLIPS HI
11	313736000	CLIP GUIDE
12	620059731	LABEL PINCH POINT HAZARD
13*	52132	ADHES LOCTITE 242
	2617130	KIT ICE CHUTE ASSEMBLY ABS 2.0

NOTE: \* Not Shown

### 5. CO<sub>2</sub> MANIFOLD ASSEMBLY

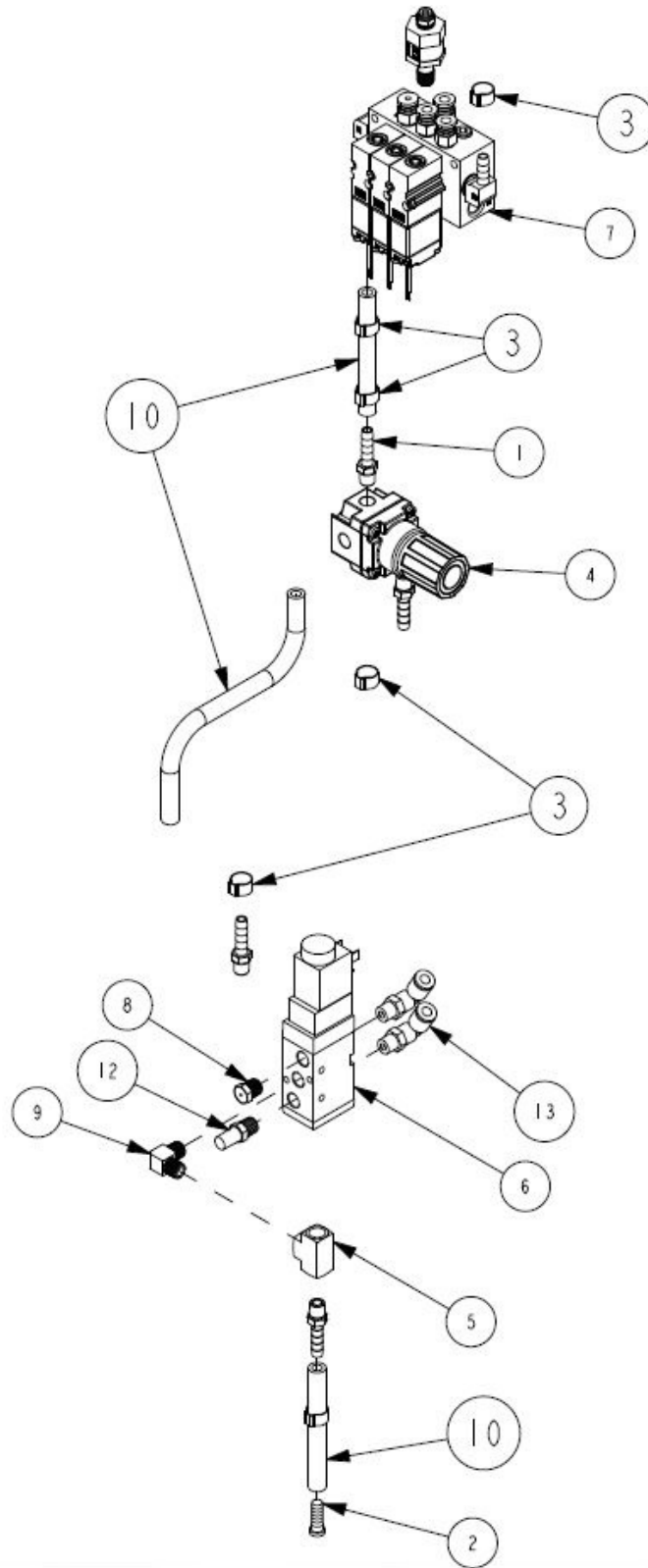


Figure 18

## CO<sub>2</sub> MANIFOLD ASSEMBLY

Item No	Part No	NAME
1	70663	FITG BARB 1/4 X 1/8MPT BR
2	77010700	FITG- PLUG 265TUBE BARBED SST
3	312926000	CLAMP 484OPEN STPLS #12.3
4	620057079-001	REGULATOR 1/8NPT PORT, 35PSI
5	620057167	FITG TEE FITTING 1/8NPT
6	620057548	VALVE 5/2 VALVE 24VDC WITH 0.25" TERMINALS
7	620069585	MANIFOLD GRABBER VALVES
8	620069586	ORIFICE .055ID 1/8NPT BR
9	620200126	FITG ELBOW 1/8" NPT
10	620708933	TUBG TYGON 7/16OD X 1/4ID
11	620718953	FITG MUFFLER 1/8" NPT SINTERED
12	620720630	FITG- 1/4 TUBE X 1/8 MPT
	2617132	KIT CO2 MANIFOLD ABS 2.0

## 6. REGULATOR ASSEMBLY

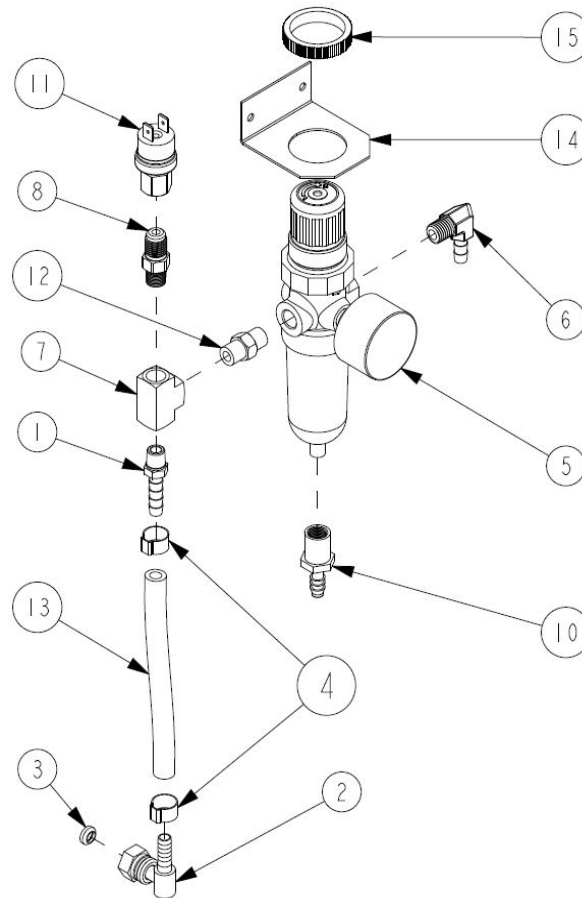


Figure 19

Item No	Part No.	Name
1	70663	Fitg Barb 1/4 X 1/8MPT BR
2	77065700	FITG L-SWV 7/16-20F 1/4BRB
3	178025100	GASKET 1/4 MALE FLARE FITG
4	312926000	CLAMP 484OPEN STPLS #12.3
5	560000391	REG & FLTR AIR ABS
6	560001513	FITG L-BRB 1/4 X 1/8MPT BR
7	620057167	FITG TEE FITTING 1/8NPT
8	620057330	FITG BRASS 37 DEGREE FLARE FITTING 1/4" TUBE OD X 1/8" NPT MALE PIPE
9*	620058324	TAPE PIPE SEALING PTFE 1/2"X26
10	620066718	FITG BARB 1/4 X 1/8FPT NY
11	620313290	SWITCH SOLD OUT CO2-VIPER
12	620701207	FITG NIPPLE CLOSE 1/8 NPT HEX
13	620708933	TUBG TYGON 7/16OD X 1/4ID
14	560000360	BRKT REG / FILTER ABS
15	560001514	NUT- AIR FILTER PLSTC ABS
	2617133	KIT REGULATOR ABS 2.0

NOTE: \* Not Shown



## 7. DOOR ASSEMBLY

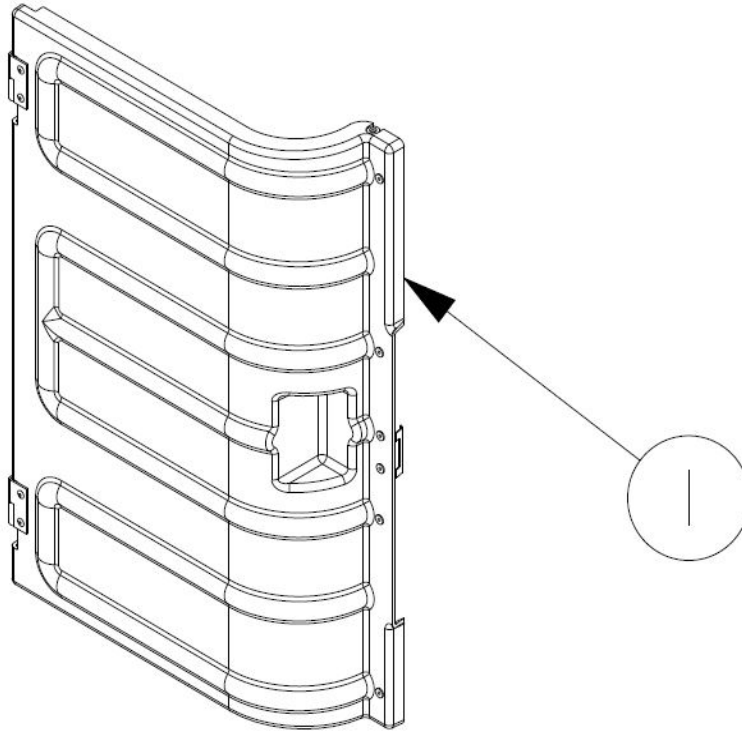


Figure 20

Item No	Part No.	Name
1	2617775	KIT DOOR TURRET FRAME ASSEMBLY ABS 2.0

## 8. DOOR LATCH / MFV BOARD ASSEMBLY

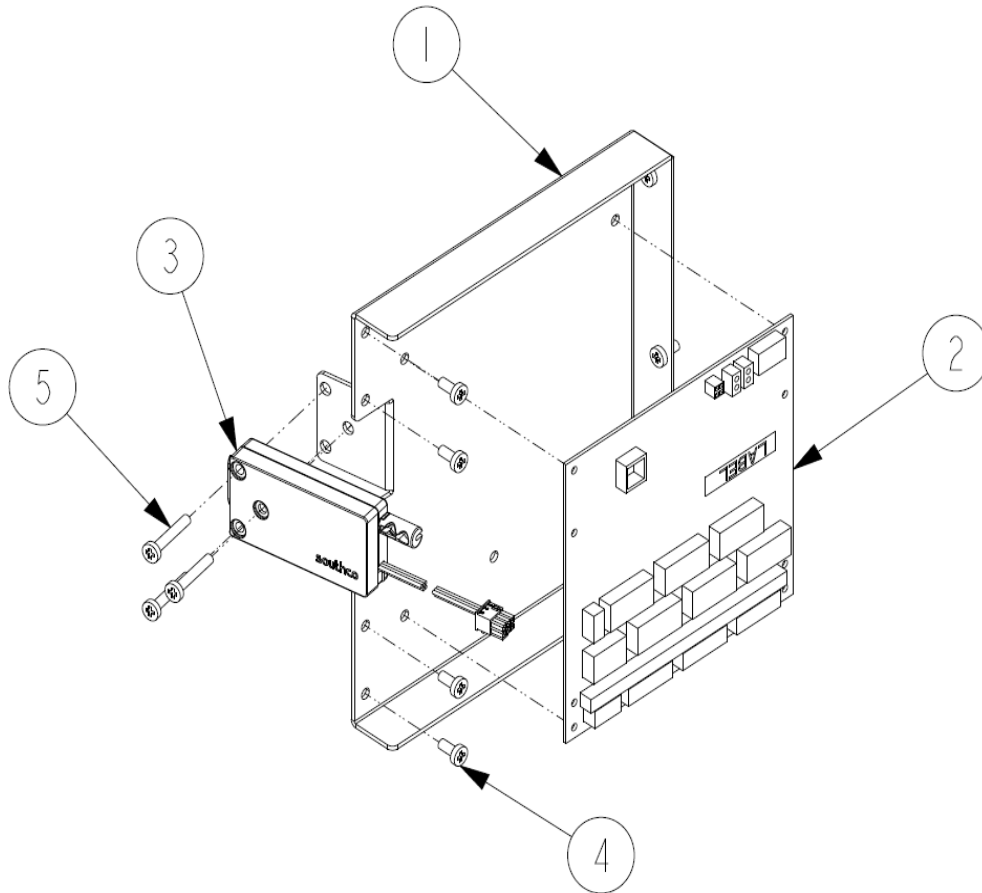


Figure 21

Item No	Part No.	Name
1	620200130	BRKT EBOX ABS NG
2	620057808-402	BOARD MFV PCBA 12B/4F/4W NO RELAY
3	620066336	LOCK TURRET DOOR ELECTRONIC ABS NG
4	70171	SCREW MA 08-32 TRPH 12 SS
5	70176	SCREW MA 08-32 TRPH SS
	2617637	KIT DOOR LATCH REPLACEMENT ABS 2.0

## 9. LAST CUP SENSOR COVER

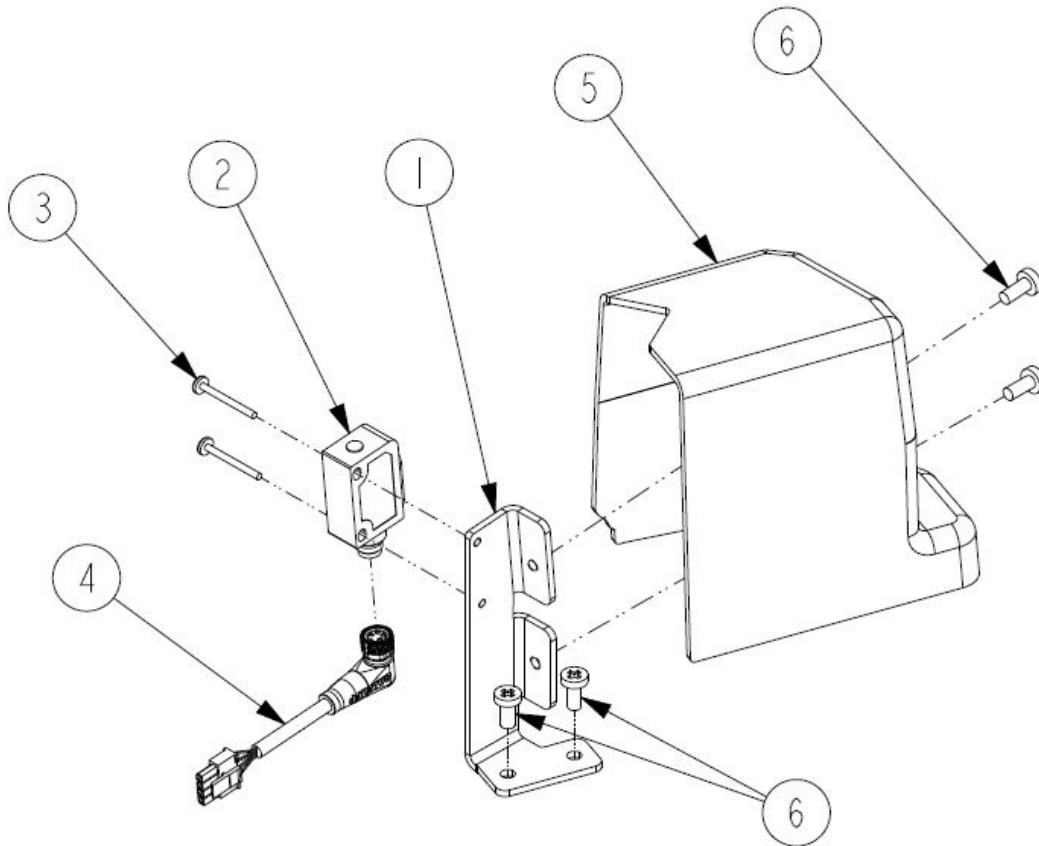


Figure 22

Item No	Part No.	Name
1	620200142	BRKT CUP SENSOR
2	620063263	SENSOR CUP DETECTION
3	560001530	SCREW TR 04-40 PAPH 28 STZI
4	620066572	CABLE, SENSOR LAST CUP
5	620200141	COVER CUP SENSOR
6	70171	SCREW MA 08-32 TRPH 12 SS
	2617640	KIT COVER LAST CUP SENSOR ABS 2.0
	2617642	KIT SENSOR LAST CUP ABS 2.0

## 10. COLUMN TURRET ASSEMBLY

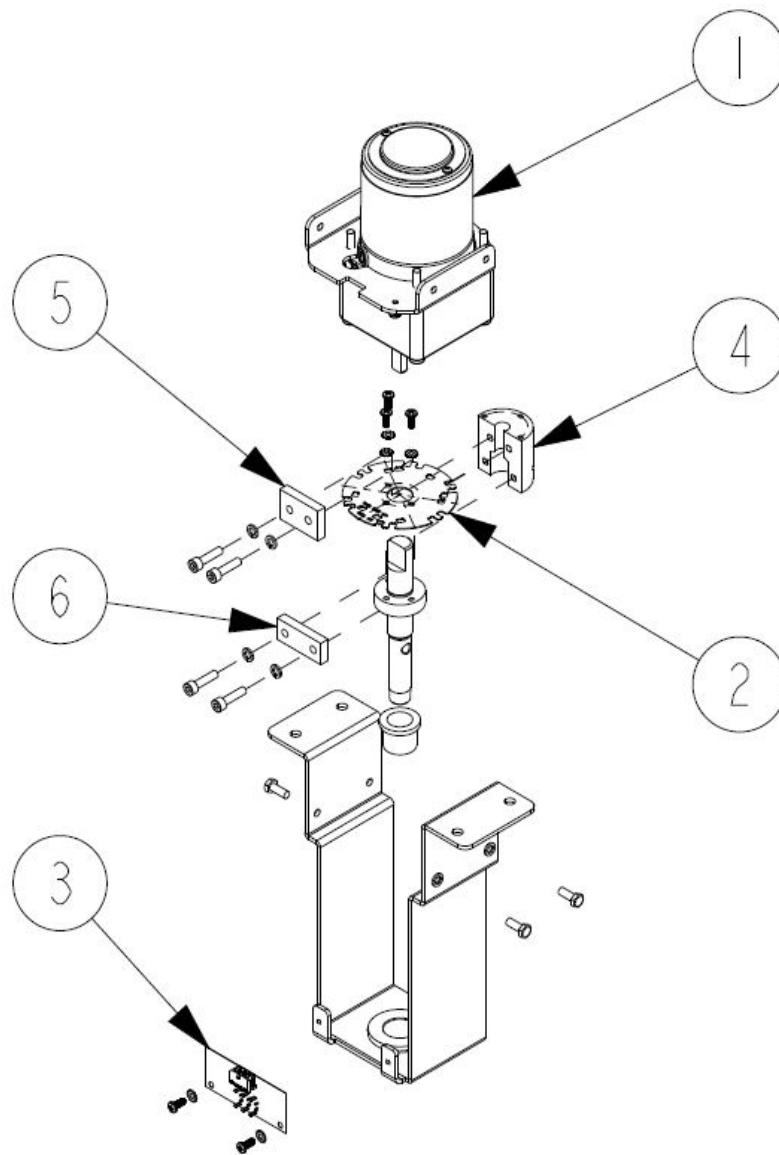


Figure 23

Item No	Part No.	Name
1A	620065922	MOTOR AND CAPACITOR TURRET 60HZ/115V/15W
1B	620071054	MOTOR TURRET 230V - 50/60 HZ
2	620057839	WHEEL ENCODER
3	620065928	SENSOR TURRET BOARD
4	560000239	HUB DISC INDEX ABS
5	560001552	COUPLING TURRET LOWER ABS
6	560002629	COUPLING TURRET UPPER ABS
	2618201	KIT BOARD ENCODER ABS 2.0

# 11. AGITATOR KIT ASSEMBLY

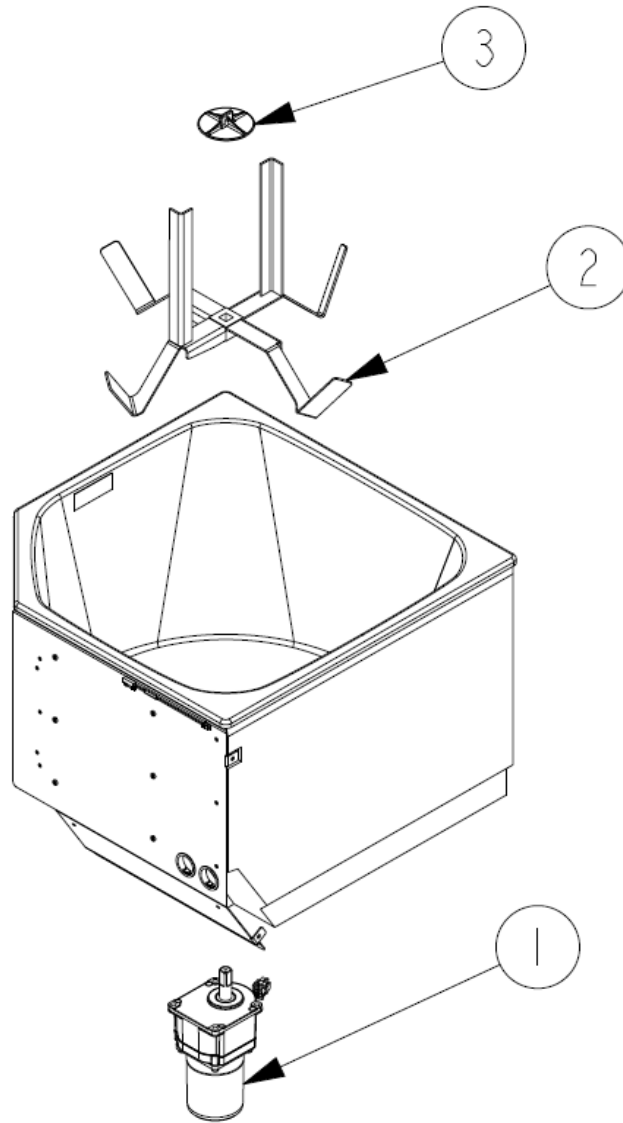


Figure 24

Item No	Part No.	Name
1A	620068668	MOTOR GEAR 1/8 HP 115V 60HZ 6 RPM
1B	620071056	MOTOR AGITATOR 230V 50/60 HZ
2	620057007	AGITATOR ASY
3	15087	RETAINER AGITATOR
	2618030	KIT AGITATOR ABS 2.0

## 12. ICE-MAKER ADAPTER ACCESSORIES

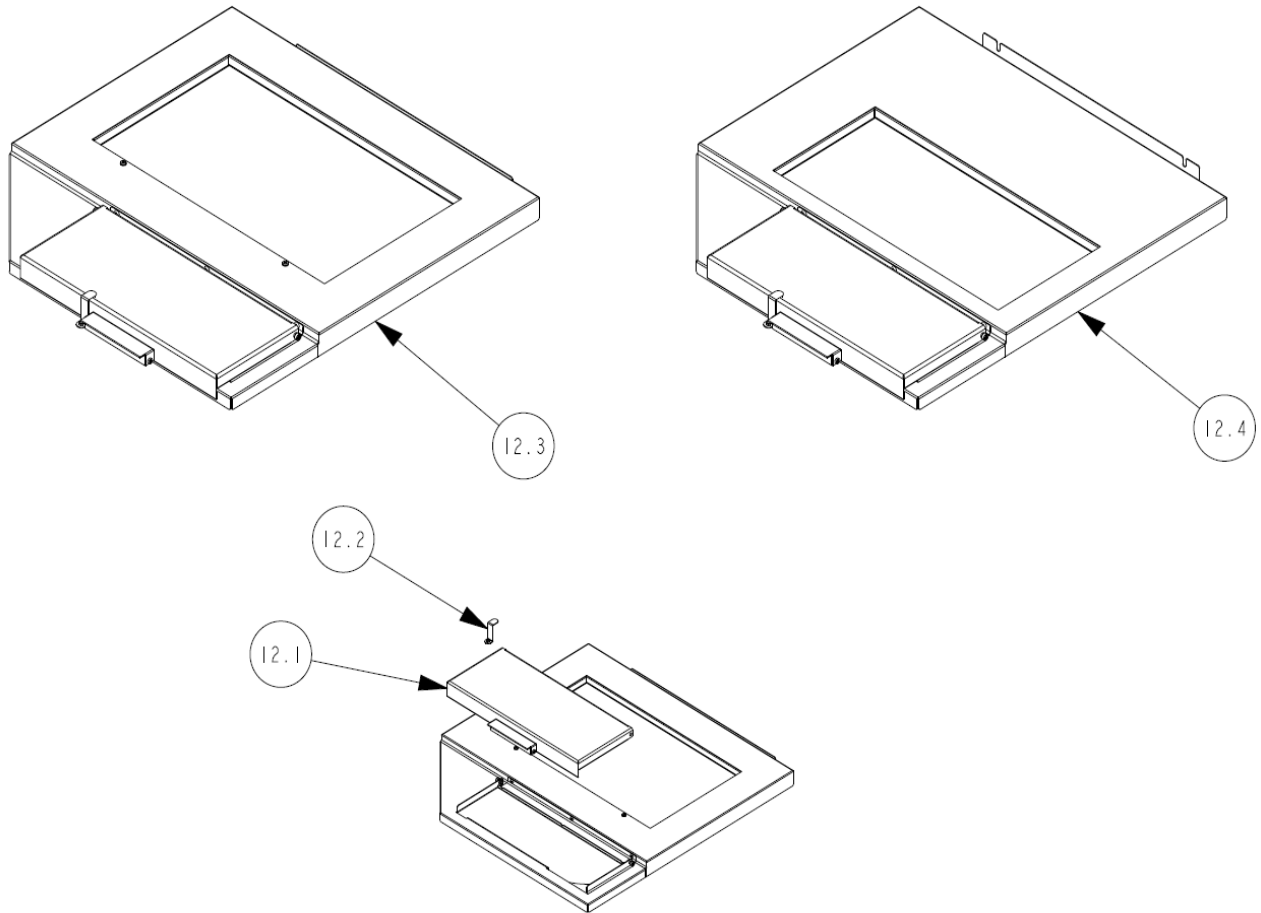


Figure 25

Item No	Part No.	Name
12.3	629097799	KIT ICEMAKER ADAPTER ABS 2.0 MANITOWOC/SCOTSMAN
12.4	629097800	KIT ICEMAKER ADAPTER ABS 2.0 HOSHIZAKI
	<b>Page No.</b>	
12.1	See Figure 26 on page 27	MANUAL FILL LID - ICE MAKER ADAPTOR
12.2	See Figure 27 on page 28	LATCH ASSEMBLY FOR ICE FILL LID

NOTE: \* Not Shown

## 12.1 MANUAL FILL LID - ICE MAKER ADAPTER

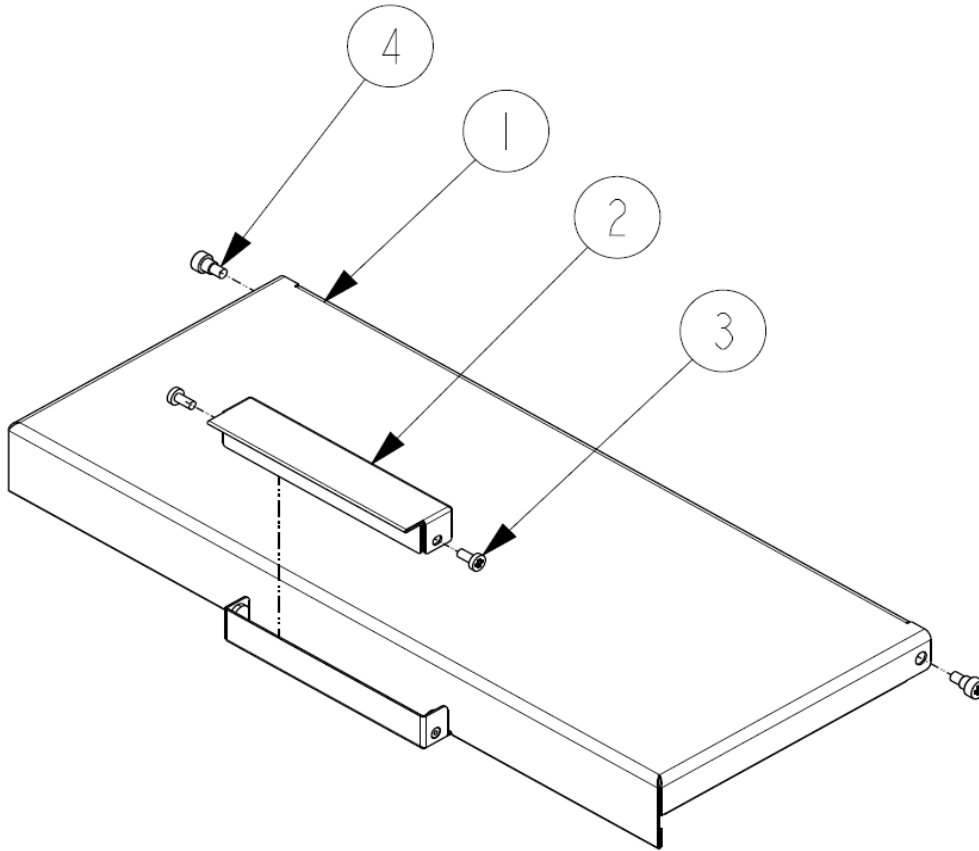


Figure 26

Item No	Part No.	Name
1	620067419	LID MANUAL FILL HOSHI ICEMAKER ADAPTER
2	620067757	HANDLE MANUAL FILL ICE DOOR
3	70171	SCREW MA 08-32 TRPH 12 SS
4	620706635	SCREW SH 10-32 PH 08 SS
	2618031	KIT LID MANUAL FILL ABS 2.0

## 12.2 LATCH ASSEMBLY FOR ICE FILL LID

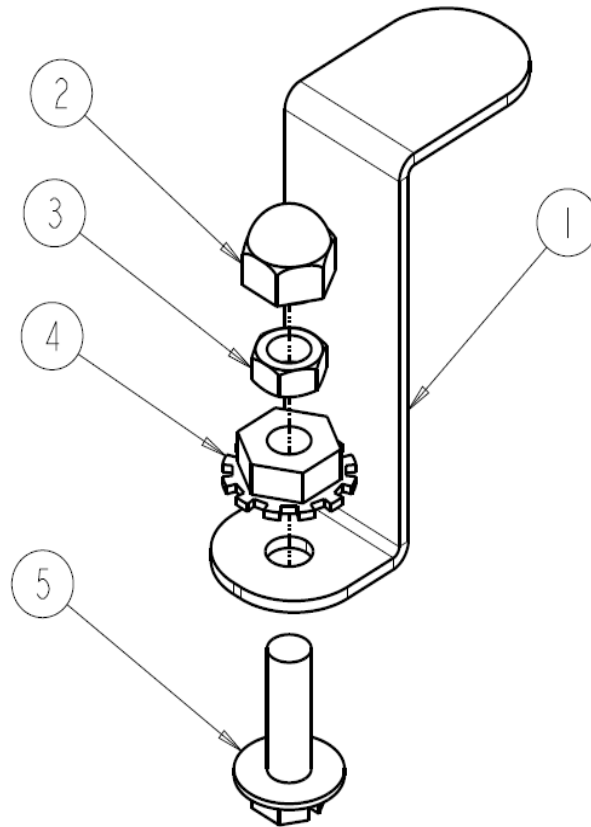


Figure 27

Item No	Part No.	Name
1	620068688	RETAINER MANUAL FILL DOOR
2	70085	NUT ACRN 08-32 SS
3	70100	NUT HEX 08-32 SS NYLOK
4	630900895	NUT HEX 08-32 SS KEPS
5	325282000	SCREW SD 08-18 HXWS 16 STZI
	2618090	KIT LATCH ASSEMBLY ICE FILL LID ABS 2.0



### 13. KIT CHIMNEY ABS 2.0

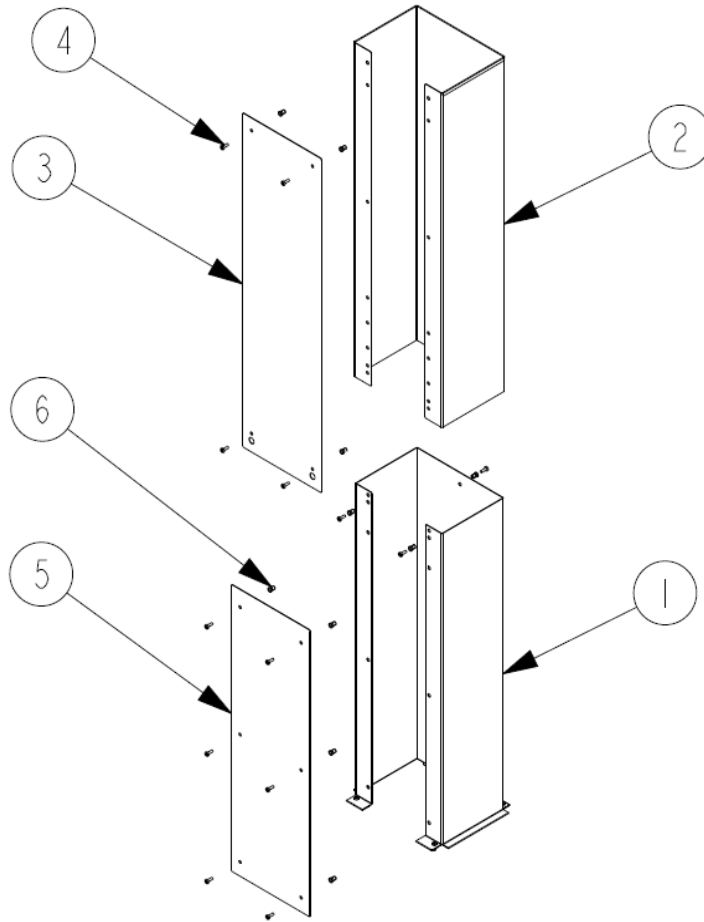


Figure 28

Item No	Part No.	Name
1	620071067	DUCT PLUMBING LOWER ABS 2.0
2	620071068	DUCT PLUMBING UPPER ABS 2.0
3	620071072	COVER DUCT UPPER ABS 2.0
4	70178	SCREW MA 08-32 TRPH 16 SS
5	620071071	COVER DUCT LOWER ABS 2.0
6	70959	NUT- 8/32 STL. PL HEX TSN NUTSERT
	2618026	KIT CHIMNEY ABS 2.0

## 14. E-Box ASSEMBLY

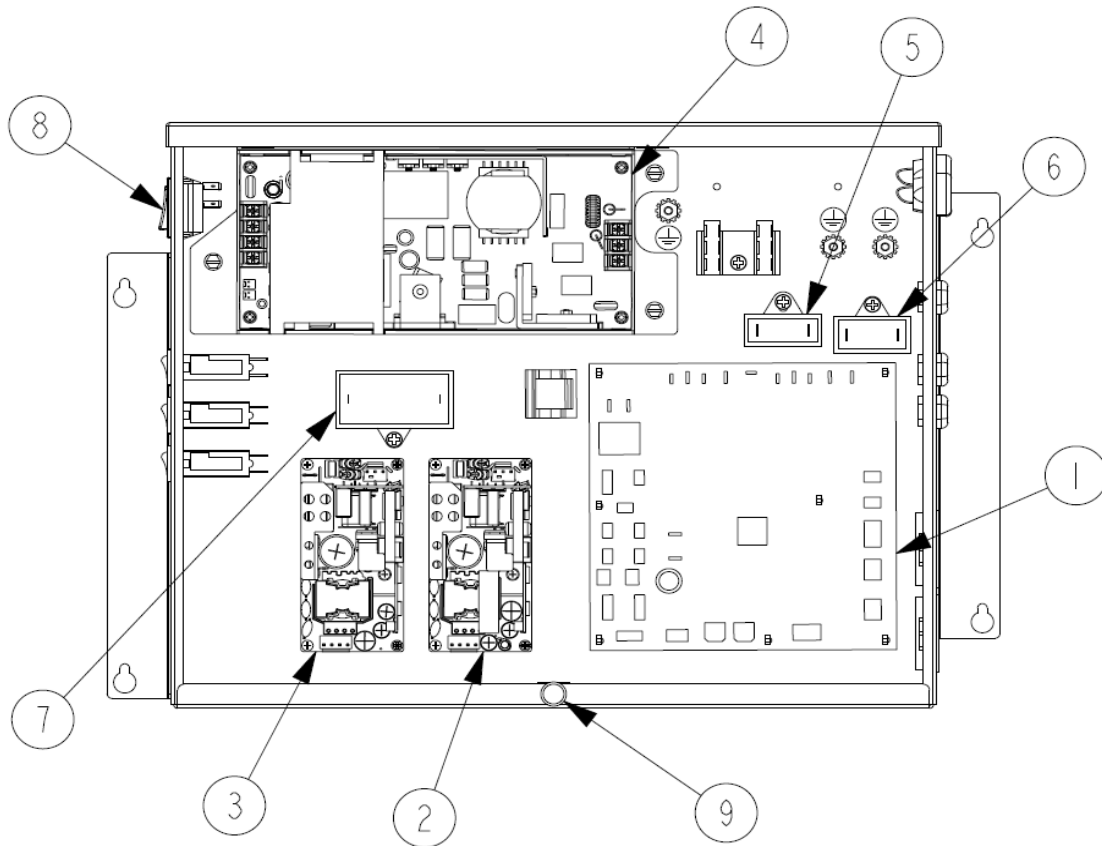


Figure 29

Item No	Part No.	Name
1	620200045	BOARD CIRC MOTION CONTROL ABSNG
2	620069958	PWR-SUPPLY 90-264VAC 140W 24VDC
3	620069957	PWR-SUPPLY 90-264VAC 130W 12VDC
4	620069959	PWR-SUPPLY 90-264VAC 400W 30VDC
5A	620069543	CAPAC CAROUSEL MOTOR 3.5UF 250VAC/60HZ(115V)
5B	620069546	CAPACITOR CAROUSEL MOTOR 230V/50HZ
6A	620069544	CAPAC TURRET MOTOR 6.0UF 250VAC/60HZ(115V)
6B	620069547	CAPACITOR TURRET MOTOR 230V/50HZ
7A	620069545	CAPAC AGITATOR MOTOR 20UF 250VAC/60HZ(115V)
7B	620069551	CAPACITOR - AGITATOR MOTOR 230V
8	620064787	SWITCH ROCKER DPST 20A 250V
9	560002707	CAPTIVE NUT 08-32 SNAPIN ABS
10*	620066476	HARN MCB TO GRABBER VALVES
11*	620066499	HARN BREAKER TO 30V PSU
12*	620066659	HARN 12/30V POWER TO MFVB
13*	620066661	HARN LINE VOLTAGE TO MCB

Item No	Part No.	Name
14*	620066662	HARN LINE VOLTAGE TO 12/24V PSU
15*	620066663	HARN LINE VOLTAGE TO 30V PSU
16*	620066666	HARN POWER SWITCH TO TERM BLOCK
17*	620066713	HARN AGITATOR POWER
18*	620067191	HARN 24V POWER TO MCB
19*	620068351	HARN IEC CONN TO POWER SWITCH
20*	620066546-001	HARN TURRET MOTOR 115V/60HZ
21*	620066546-002	HARN CAROUSEL MOTOR 115V/60HZ
22*	620069574	CONN POWER ENTRY MODULE 15A FILTERED

NOTE: \* Not Shown

## 15. GRABBER LIFTER

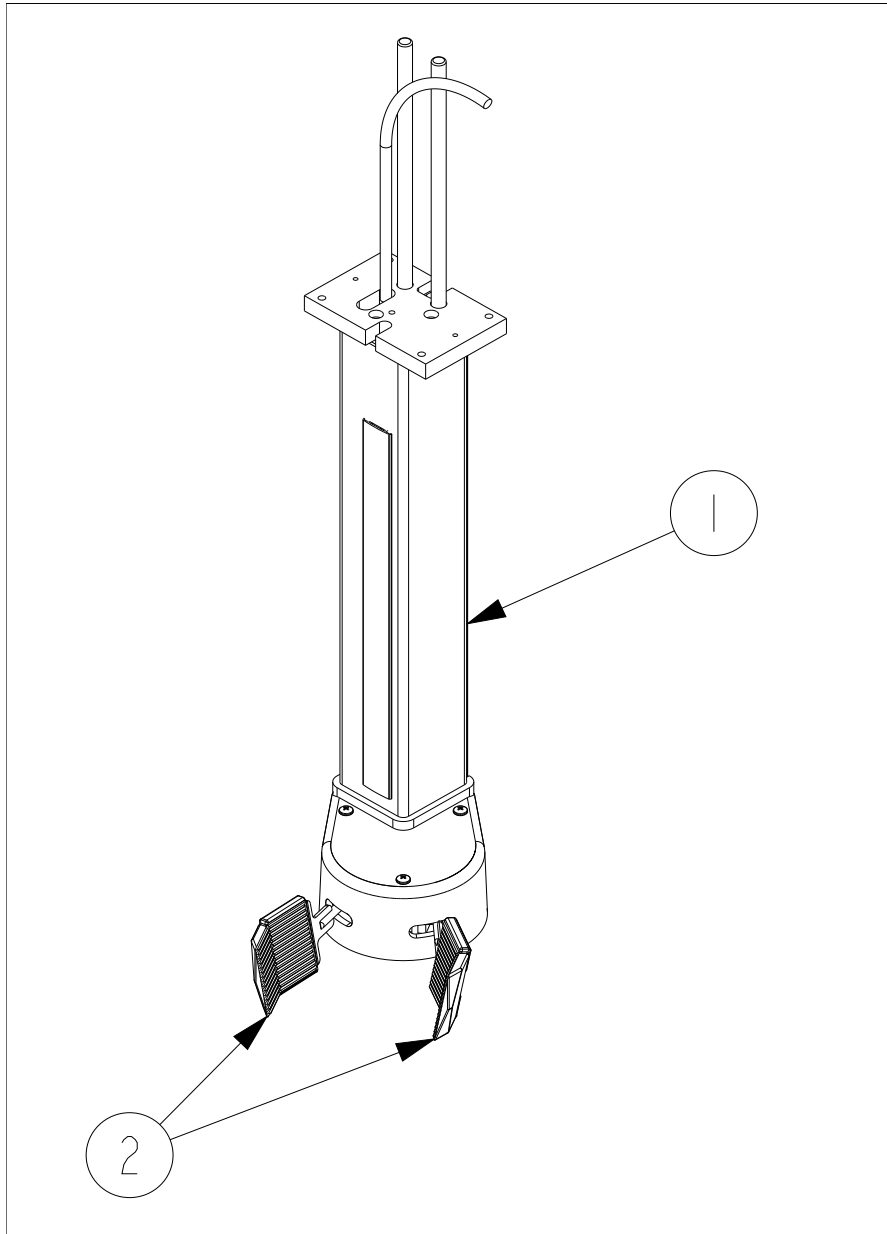


Figure 30

Item No	Part No.	Name
1	620066477	GRABBER LIFTER
2	620070318	PAD GRABBER NATURAL RUBBER
	2617856	KIT PADS GRABBER ABS 2.0

## 16. DISPLAY ASSY DUAL ABS 2.0

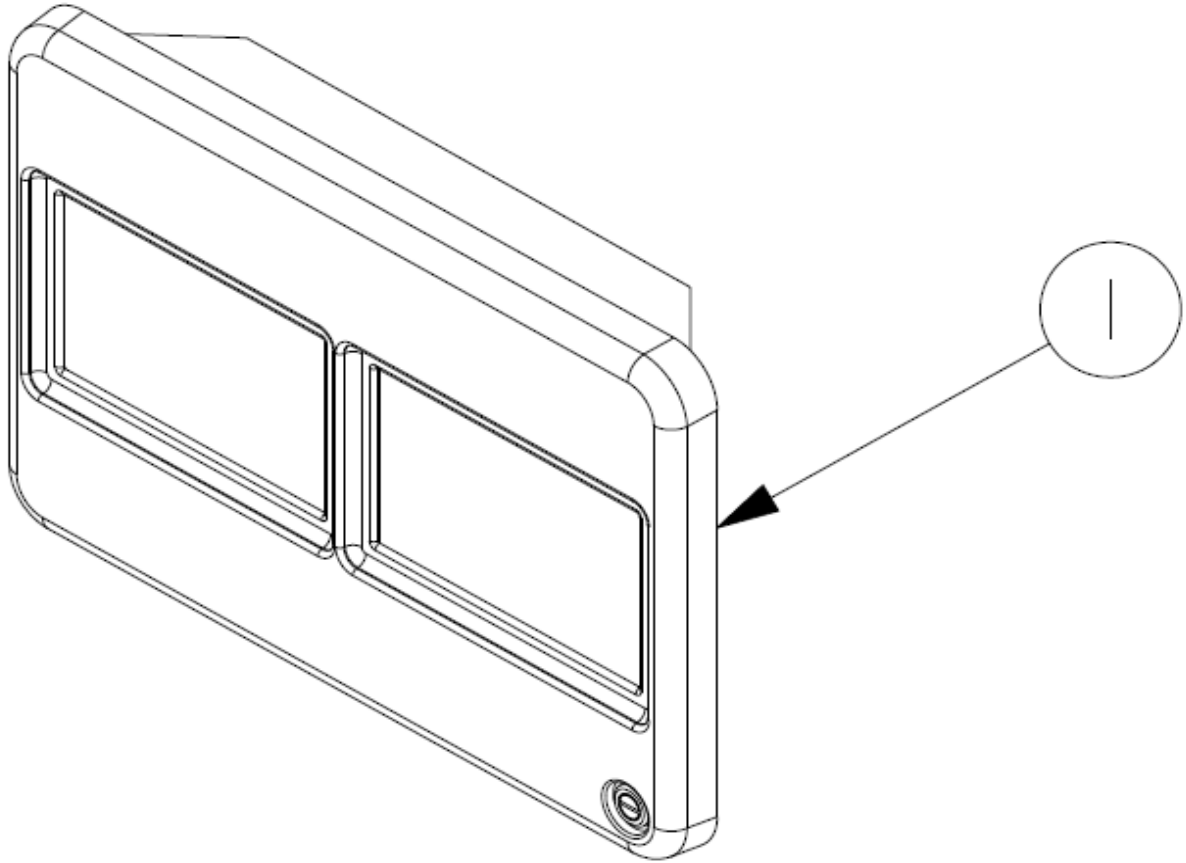


Figure 31

Item No	Part No.	Name
1	620066501	DISPLAY ASSY DUAL ABS 2.0

# 17. LID HOPPER ABS 2.0

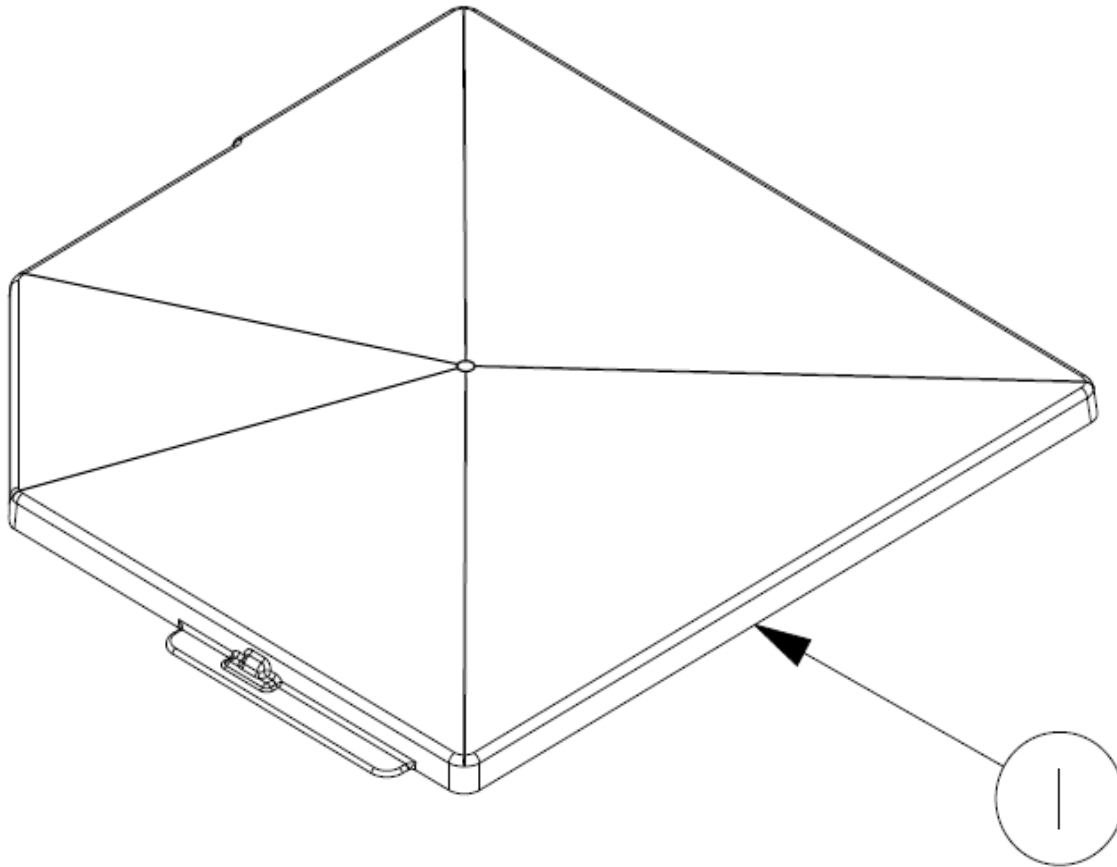


Figure 32

Item No	Part No.	Name
1	620068652	LID HOPPER ABS 2.0

## 18. VAL ASSY 2 X 2 MFV

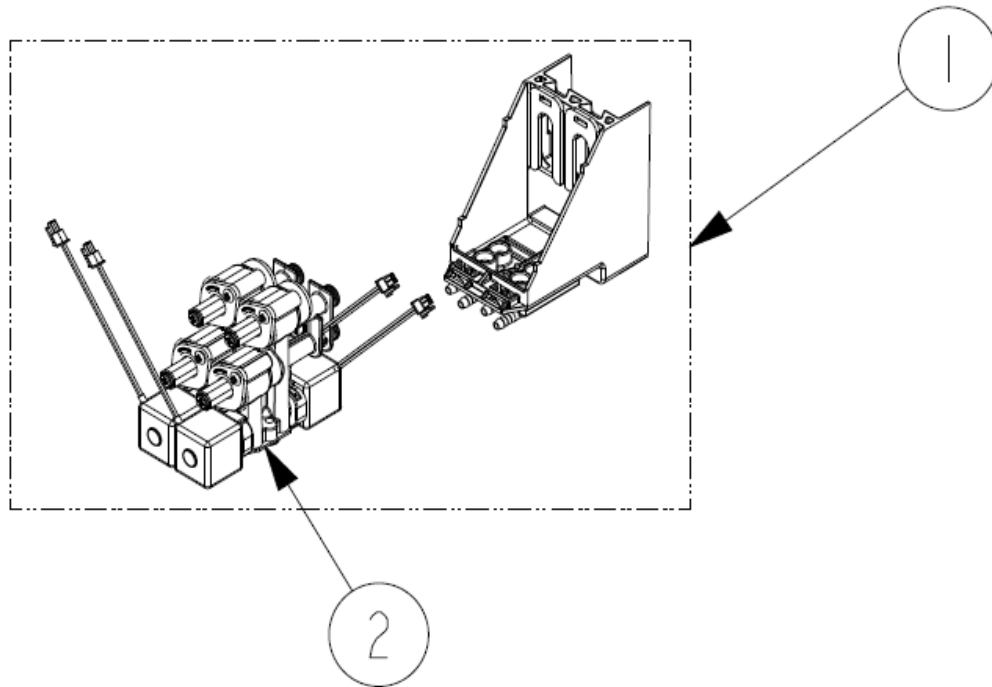


Figure 33

Item No	Part No.	Name
1A	620058272-024	VAL ASSY 2 X 2 BRAND MFV
1B	620065917-005	VAL ASSY 2 X 2 WATER
2	620056892S	BODY VALVE SYRUP MFV

## 19. PANEL LOWER FRONT WITH DOOR

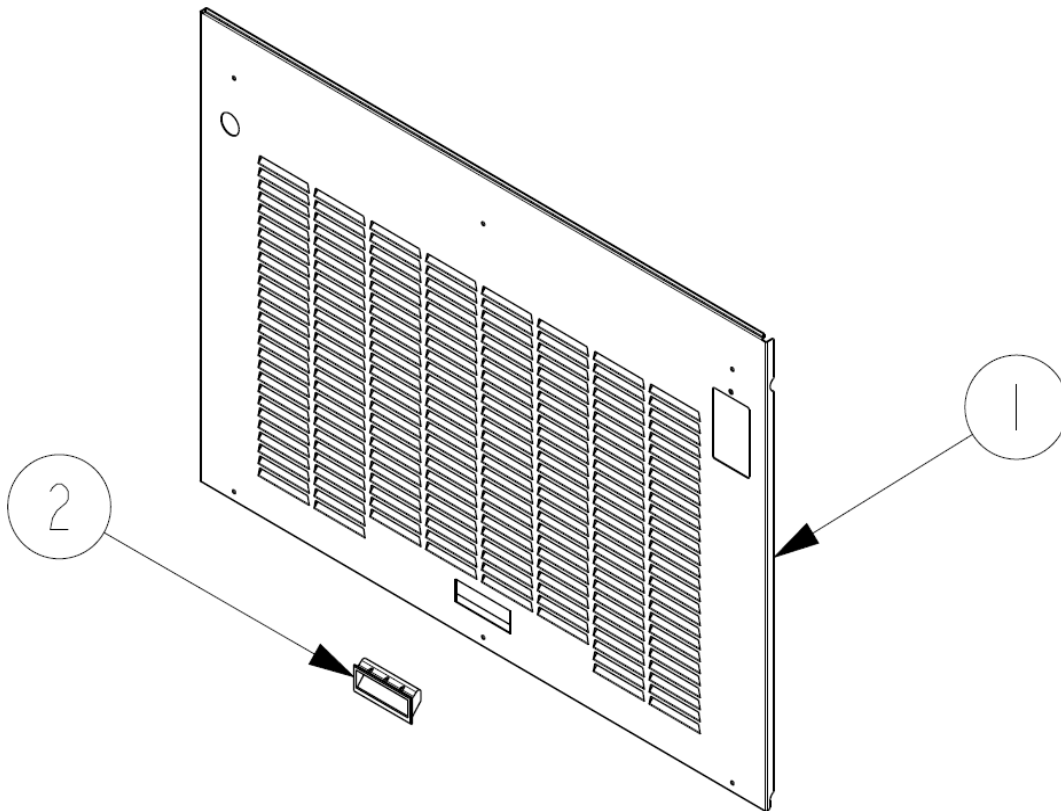


Figure 34

Item No	Part No.	Name
1	620071023	PANEL LOWER FRONT WITH DOOR
2	560004901	HANDLE, PULL POCKET ABS

## 20. KIT 4 LEG

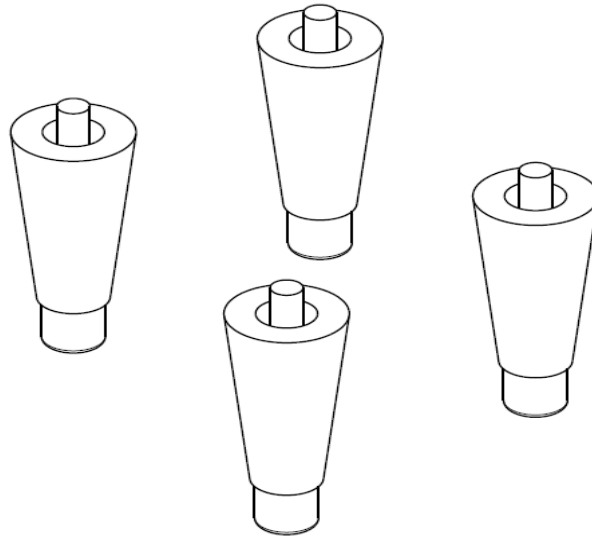


Figure 35

Part No.	Name
630900581	LEG-SET 6"ADJ 5/8-11THD (4) THERMOPLASTIC

## 21. KIT 4 CASTER

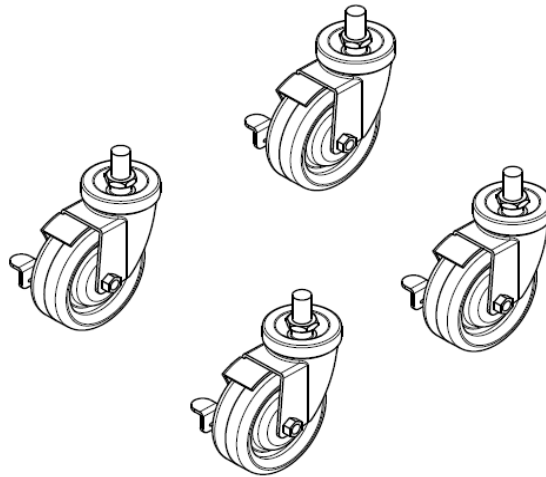


Figure 36

Part No.	Name
629087488	CASTER KIT INSTL 4 ABS



## 22. POWER CORDS (REGION SPECIFIC)

Part No.	Voltage-Frequency-Phase	Region
620049959-001	120V, 60Hz, 1Ph	North America's
620049959-003	220-240V, 50-60 Hz, 1Ph	European CENELEC Member Countries
620049959-005	220-240V, 50-60 Hz, 1Ph	Australia / NewZealand and AS/NZS 3112
620049959-008	220-240V, 50-60 Hz, 1Ph	Great Britain / Ireland

## 23. USER GUIDE DOCUMENT'S

Part No.	Name
621058590INS	MANL INSTALL ABS 2.0
621058590OPR	MANL OPERATOR ABS 2.0
620071133	PACKAGE ABS JOB AID CARDS







