



REFRESH PRO

INTERACTIVE POST-MIX ICE DRINK DISPENSER

Fun and easy new scrolling interface for brand selection

Large Digital Merchandising & Promotional Space

Utilizes Standard BIB syrup

Up to 20 brands **(10 per side)**

Up to 8 Flavors **(4 per side)**

Easy-to-Clean Splash Panel



Dual-Touch Screen and User Interface

Multi-Flavor Valves

Integrated Ice Maker Kit

Lighting for Targeting Drink into Cup

ADA Compliant

FEATURES

NEW! Tap and scroll interface to select your choices

Interactive Dispense - Up to 20 brands (10 on each side 7 chilled and 3 ambient) and up to 8 flavor shots (4 per side), over 3,260 drink combinations

Dispense Points - Dual touch screen/dual nozzle for simultaneous brand and flavor dispense

Flavor Shot - Blends with drink or top off for extra flavor

Large Ice Capacity - 255 lb. ice capacity

Flexible - Can dispense cubed or chewable soft ice

Universal Adapter Kit - No adapter kit required for standard ice makers 22"W x 24"D or 30"W x 24"D

Merchandising - Commercial-grade HD promotional display 32" diagonal customizable video merchandiser delivers unique marketing message

Durable - One-piece ABS thermoformed plastic (Durabide™ design) provides durability and ensures all ice in hopper is dispensable

Ease of Use - Modular design allows for easy component access from the front of the unit

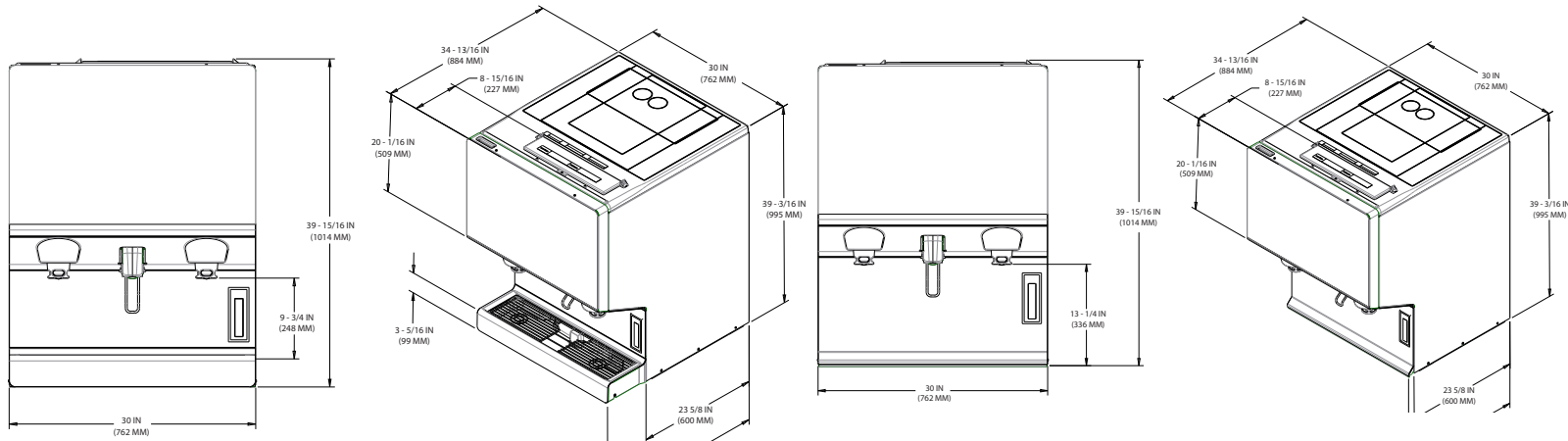
Easy to Clean - Polycarbonate material, merchandising, and lower panel. Scratch resistant.

ADA Compliant - Meets ADA requirements on a 34" counter



Refresh PRO with drip tray

Refresh PRO without drip tray



PART NUMBER	DESCRIPTION
621058649	Refresh PRO 255 with drip tray
621058650	Refresh PRO 255 Z-Style (without drip tray)

Units come standard with universal adapter kit. No adapter required for standard ice makers 22"W x 24" D or 30"W x 24"D. For ice makers of a different size, contact Customer Care.

TECHNICAL SPECIFICATIONS

DIMENSIONS..... 39 3/16"H x 30"W x 34 1/2"D

SCREEN DIMENSIONS..... 32" Diagonally

VIDEO FORMAT..... MP4 (H.264) (1920x800)

VIDEO MAX SIZE..... 2GB

BRAND IMAGE FORMATpng (175x175 pixels)

FLAVOR SHOT IMAGE FORMAT.. .png (225x225 pixels)

COUNTER WEIGHT..... 440 lb (plus ice weight)

SHIPPING WEIGHT..... 545 lb

CAPACITY..... 255 lb ice bin capacity for cubed & chunklet (compressed) ice

AMP DRAW..... 120 V / 60 Hz / 8.5 Amps

ELECTRICAL RATING..... 115 V +/- 10% (only requires single outlet)

WATER SUPPLY PRESSURE 50-60 psi at pump

CO₂ 75 psi

STANDARD FEATURES..... Timed agitation, electronic beverage keyswitch and 4" legs

20 BRAND SYRUPS:
(14 CHILLED / 6 AMBIENT)..... 60 psi/min

8 FLAVOR SHOT SYRUPS:
(AMBIENT)..... 30 psi/max

VALVE..... Electronic TotalFlex 20 touch screen brands(10/nozzle) 8 touch screen flavor shots (4 per nozzle)

FLOW RATE FOR BRANDS..... 3oz./sec valves

CUP CLEARANCE..... 9.75"

AGENCY LISTINGS.....



City of Los Angeles

Coca-Cola has approved the use of Trademarks but use of the Trademarks does not imply that Coca-Cola has approved or endorses the equipment.



© 2016 CORNELIUS CATM8734-0616

IN THE U.S.A.
Ph: 800.238.3600
Fax: 800.258.0255

OUTSIDE THE U.S.A.
Ph: 763.488.8200
Email: webmaster@cornelius.com

101 Broadway Street West
Osseo, MN 55369
www.cornelius-usa.com

For more information or to place an order, contact your sales representative or authorized distributor.