

IDC PRO 255

Illustrated Parts List



Release Date: August 03, 2017

Publication Number: 621058578IPL

Revision: A

Visit the Cornelius web site at www.cornelius.com for all your Literature needs.

The products, technical information, and instructions contained in this manual are subject to change without notice. These instructions are not intended to cover all details or variations of the equipment, nor to provide for every possible contingency in the installation, operation or maintenance of this equipment. This manual assumes that the person(s) working on the equipment have been trained and are skilled in working with electrical, plumbing, pneumatic, and mechanical equipment. It is assumed that appropriate safety precautions are taken and that all local safety and construction requirements are being met, in addition to the information contained in this manual.

This Product is warranted only as provided in Cornelius' Commercial Warranty applicable to this Product and is subject to all of the restrictions and limitations contained in the Commercial Warranty.

Cornelius will not be responsible for any repair, replacement or other service required by or loss or damage resulting from any of the following occurrences, including but not limited to, (1) other than normal and proper use and normal service conditions with respect to the Product, (2) improper voltage, (3) inadequate wiring, (4) abuse, (5) accident, (6) alteration, (7) misuse, (8) neglect, (9) unauthorized repair or the failure to utilize suitably qualified and trained persons to perform service and/or repair of the Product, (10) improper cleaning, (11) failure to follow installation, operating, cleaning or maintenance instructions, (12) use of "non-authorized" parts (i.e., parts that are not 100% compatible with the Product) which use voids the entire warranty, (13) Product parts in contact with water or the product dispensed which are adversely impacted by changes in liquid scale or chemical composition.

Contact Information:

To inquire about current revisions of this and other documentation or for assistance with any Cornelius product contact:

www.cornelius-usa.com

800-238-3600

Trademarks and Copyrights:

This document contains proprietary information and it may not be reproduced in any way without permission from Cornelius.

This document contains the original instructions for the unit described.

CORNELIUS INC
101 Regency Drive
Glendale Heights, IL
Tel: + 1 800-238-3600

Printed in U.S.A.

TABLE OF CONTENT

Cladding Components and Overall Assembly Detail	1
Hinge Assembly	2
Electrical Box Assembly	3
Ice Dispensing Assembly Detail	4
Beverage Valve And Nozzle System Detail	5
Beverage Valve System Detail	6
Beverage Panel Assembly Detail	7
Carbonator Tank Assembly Detail (If Applicable)	8
Pump and Motor Assembly Detail (620408124 Pump & Motor Asy 120/60 1/3hp)	9
Door Assembly-620064948	10
Valve Assembly	11
Syrup Valve Body Assy, MFV - 620056892S	12
Water Valve Body Assy, MFV - 620056892W210 & 620056892W90	12
Flavor Valve Body Assy, MFV - 620056892F	12
Body Valve Syrup Assy, MFV REF - 620065886S	13
Body Valve Water Assy, MFV REF - 620065886W.	13
Body Valve Flavor Assy, MFV - 620065886F	13
Body Valve Syrup Assy, MFV REF - 620065886S	14
Body Valve Water Assy, MFV REF - 620065886W & 620065886W90	14
Body Valve Flavor Assy, MFV - 620065886F	14
Accessories	15

CLADDING COMPONENTS AND OVERALL ASSEMBLY DETAIL

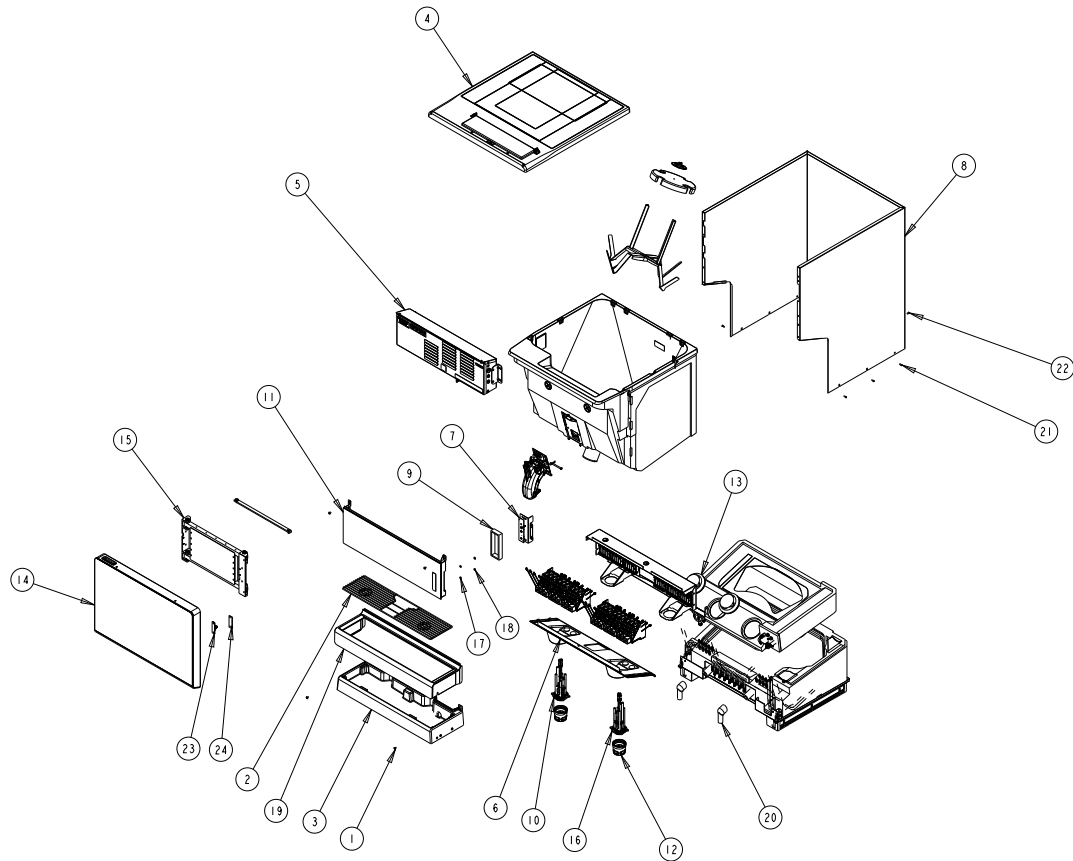


Figure 1. Cladding Components And Overall Assembly Detail

Table 1: Cladding Components

Item No.	Part No.	Description
1	161168014	Screw MA1032 012TR SS PH
2	620058904	Cup-rest IDC Pro 255
3	629097693	Kit Driptray Assy IDC Pro 255
	620058907	Driptray Assy No Cladding IDC Pro 255
4	620061537	Lid Adapter Assy IDC Pro 255
5	620061837	E-box Assy, High-end
	620065146	Box Elec Assy 220V
6	620061986	Panel, Underpanel Assy
7	620062108	Board Ada Assy IDC Pro 255
8	620062110	Wrap IDC Pro 255
9	620062306	Gasket Ada IDC Pro 255
10	620062307	Manif Nozzle Assy 10 X 4
	620066260	Nozzle Assy Lh IDC Pro255 McD
11	620062399	Splash Panel Assy IDC Pro 255
	620062408	Splash Panel Assy Z Style
12	620062705	Housing Assy Nzl Outer Multi FI
13	620516645	Cover Cold plate Access

Table 1: Cladding Components

14	620064948	Door Assembly IDC Pro 255
15	620063662	Hinge Assembly IDC Pro 255
16	620064189	NOZZLE ASSY 10/4/4 RH RF255
	620066259	Nozzle Assy RH IDC Pro255 McD
17	70017	Nut Hex 10-32 SS Nyloc
18	70048	Washer- Sr 255 449 062 Stzi Int
19	620062271	Polycarb Driptray Assy IDC Pro255
20	53011	Rubber Elbow For Cold Plate Drain
21	620705801	Screw Tt 08-18 Trph 16 Sspa
22	70171	Screw Ma 08-32 Trph 12 SS
23	620064459	Latch Door IDC pro 255
	620065485	Door Latch Kit
24	620064625	Plate Latch Shim IDC Pro 255
*	620057826-005	Cable USB Type A To Molex ADA
*	629097436	Kit Z-style ReF255 Pro
*	620062583	Kit Driptray (Conversion Kit)
*	620047378	Drain Tube Drip Tray IDC Pro 255
	629097006	Drain Tube Z-Style IDC Pro 255

* Indicates Not Shown

HINGE ASSEMBLY

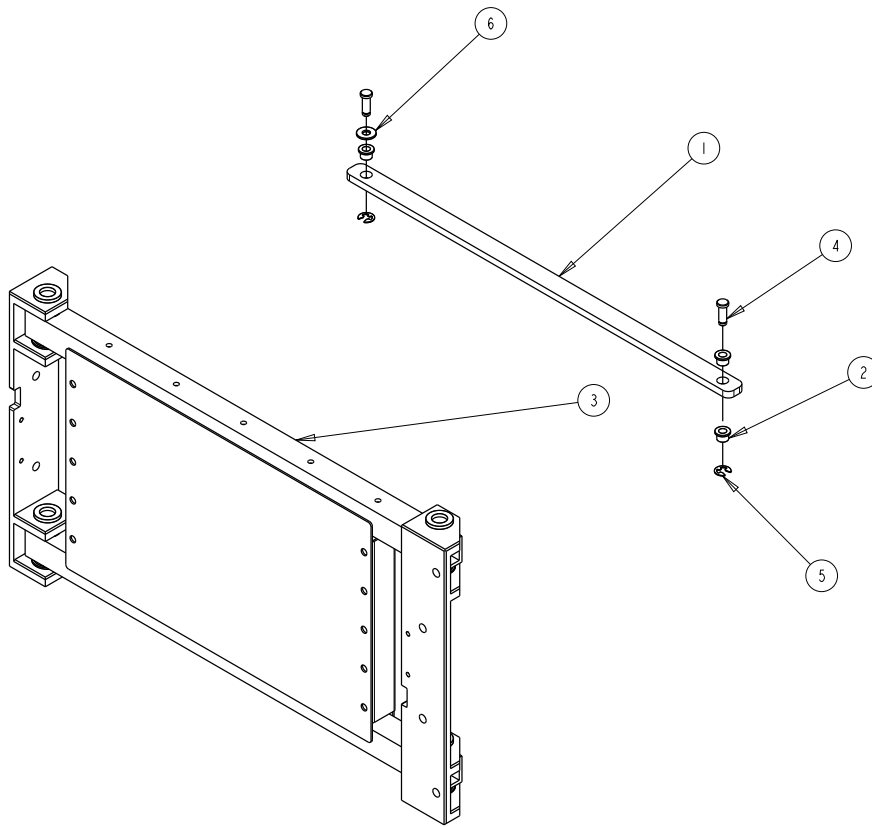


Figure 2. Hinge Assembly

Table 2: Hinge Assembly

Item No.	Part No.	Description
1	620063666	Arm Hinge Guide IDC Pro 255
2	620063667	Bearing Flanged Sleeve 0.375"Od IDC Pro 255
3	620063662	Hinge Assembly IDC Pro 255
4	620063668	Pin Grooved Clevis 0.25odx0.85l IDC Pro 255
5	620063670	Retaining Ring Side-mount IDC Pro 255
6	620063669	Washer Thrust 0.625odx0.25id IDC Pro 255

ELECTRICAL BOX ASSEMBLY

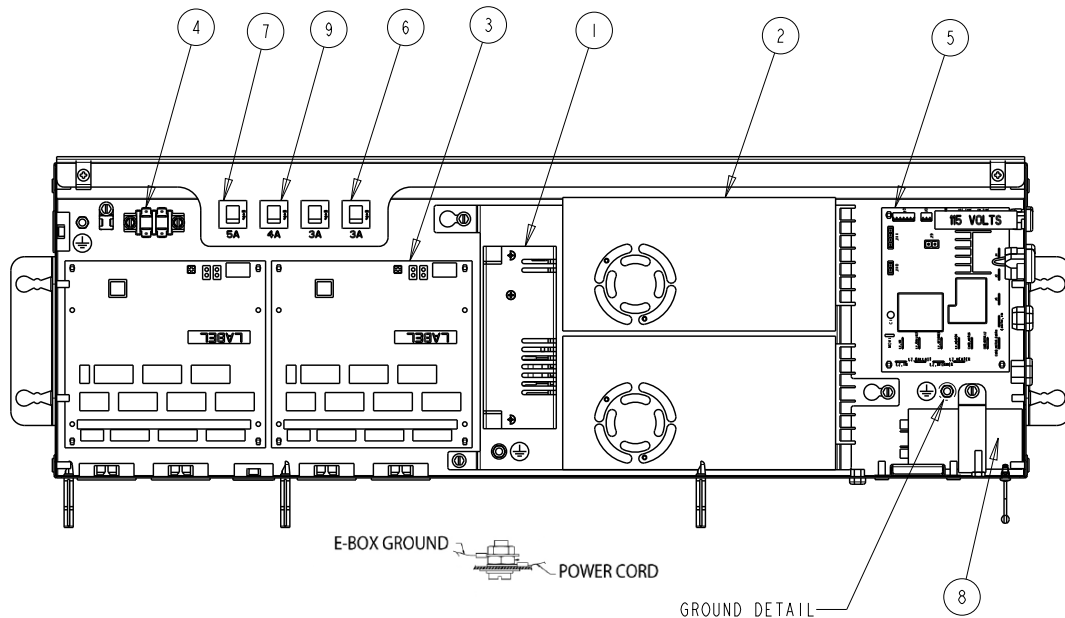


Figure 3. Electrical Box Assembly

Table 3: Electrical Box Assembly

Item No.	Part No.	Description
1	620057649-001	Pwr-supply 90-265vac 250w 12 & 24vdc
2	620057649-005	Pwr-supply 88-264v 50/60hz 30vdc 240wr
3	620057808-400	Board Assy MFV 10b/4f/4w No Relay
4	187876000	Block Term 4 Spade Con
5	620314825-100	Board Agitator Pcb W/safety Functions
6	620058545-003	Breaker 3A Circuit Breaker
7	620058545-002	Breaker 5A Circuit Breaker

Table 3: Electrical Box Assembly

8	560002379	Capac Run 20 Mfd 230v 50hz
	620314324	Capacitor Run Agitator Motor IDC 230VAC
9	620058545-001	Breaker 4A Circuit Breaker
10	620057826-013	Harn Cable Usb Male Type A To Type B 1.5m
11	620061906	Harn Dc Ui Dual Voltage
12	620062568-009	Cord Power, RA IEC60320-C13 To NEMA 5-15 12ft
	620062568-006	Cord Power RA IEC60320-C13 To CEE 7/7 12ft, 220V
*	620057864-003	Harn Led Downlight 42"

* Indicates Not Shown

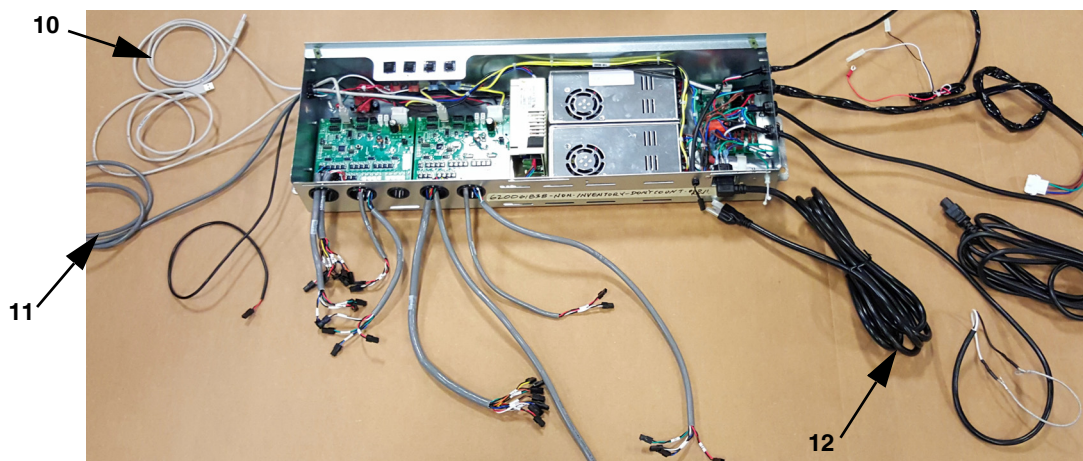


Figure 4. Electrical Box Assembly Detail

ICE DISPENSING ASSEMBLY DETAIL

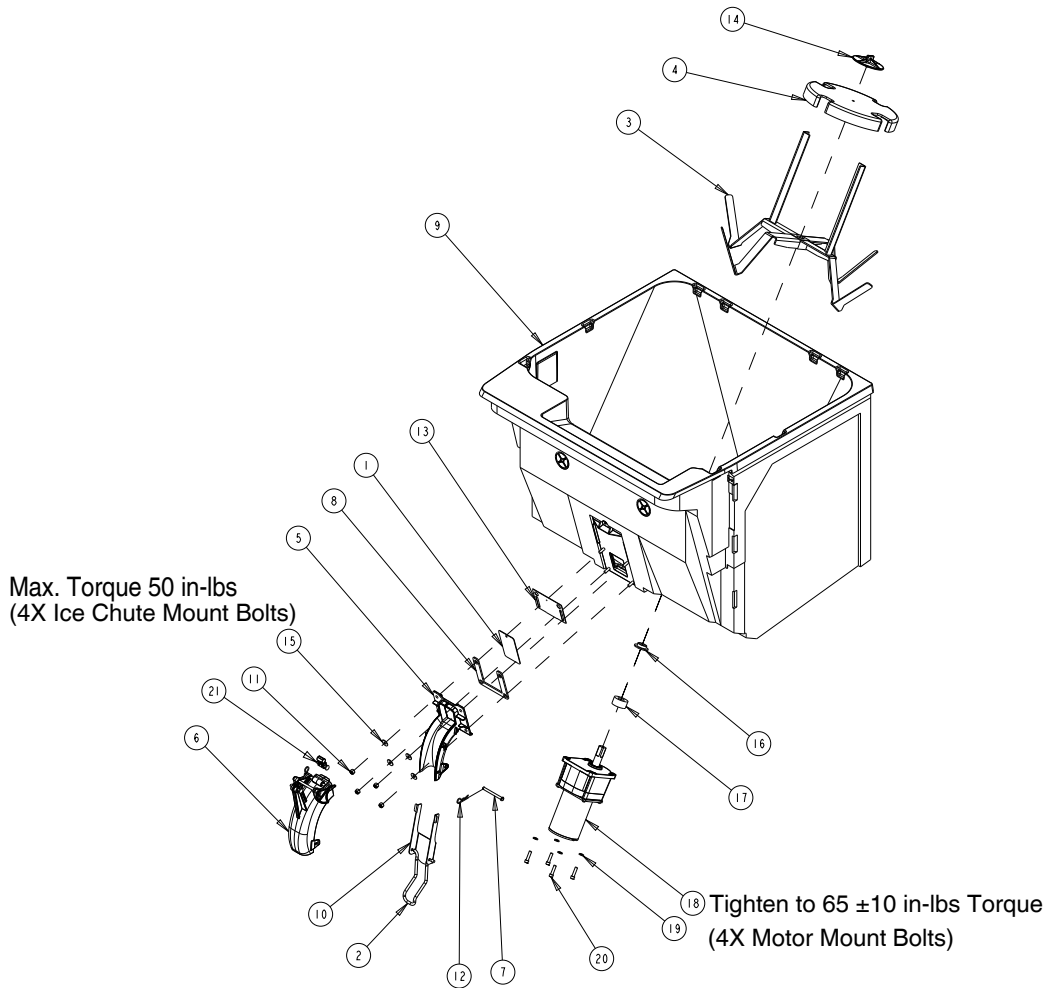


Figure 5. Ice Dispensing Assembly

Table 4: Ice Dispensing Assembly

Item No.	Part No.	Description
1	620048706	Gate Ice IDC
2	620709353	Lever Ice Chute Asy Wireform NGF/IDC/CF/FF
3	620042766	Agitator Assy
4	620042770	Agitator Disk
5	620518535	Chute Ice Lower IDC
6	620518536	Chute Ice Mech Asy IDC
7	620051502	Clevis Pin 25 Dia X 2.75 Long
8	620710129	Gasket Ice Chute IDC Low Duro
9	620063681	Hopper Agitator Motor Assy
10	620709346	Lever Ice Chute Bracket
11	620709132	Nut- Hex 1/4-20 SS Nylock
12	620709432	Pin- Hairpin Cotter 18-8ss IDC
13	620518908	Plate Ice Gate Restrictor IDC
14	15087	Retainer Agitator

Table 4: Ice Dispensing Assembly

15	70066	Washer Ft 265 750 055
16	620711105	Gear Box Shaft Seal
17	52876	Gear Box Shaft Gasket
18	620314913	Motor 115 Volt
	620717110	Gear Motor IDCPRO255 230 Volt 50/60
19	186294000	Washer LK 262 489 062 Sspa 250
20	620720590	Screw- 1/4-20 Shcs Self-locking 32 SS
21	620314527	Sensor Position Ice Chute IDC
*	620711940	Insulation Gear Motor Adapter Plate Jrd
*	30794	Heater Agit Mtr 2230ak6
*	620050388	Brace Long IM Adapt Kit FF/IDC (2X For set)
*	620050389	Brace Long IM Adapt Kit FF/IDC Flat

* Indicates Not Shown

BEVERAGE VALVE AND NOZZLE SYSTEM DETAIL

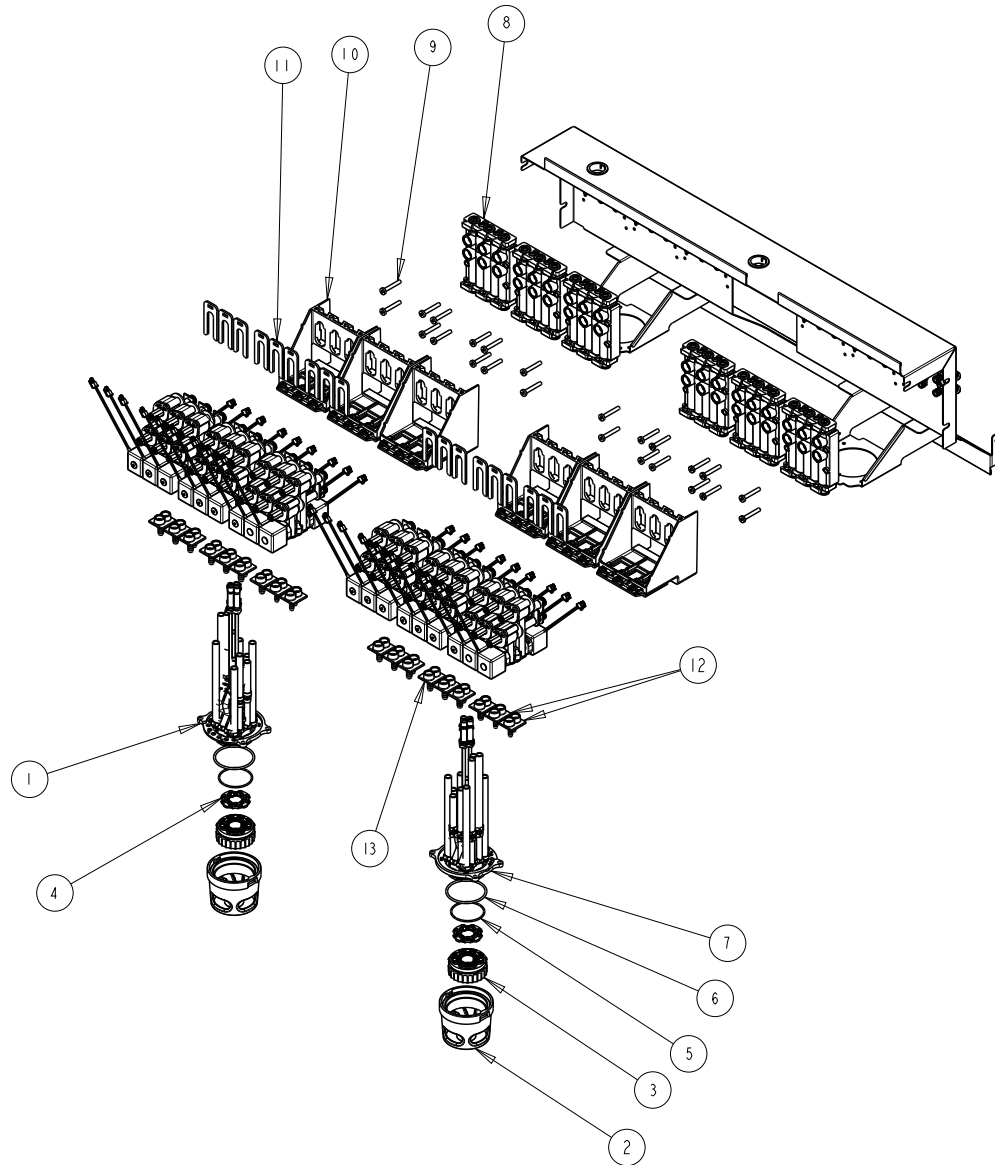


Figure 6. Beverage Valve and Nozzle System

Table 5: Beverage Valve and Nozzle System

Item No.	Part No.	Description
1	620062307	Manif Nozzle Assy 10 X 4
	620066260	Nozzle Assy Lh IDC Pro 255McD
2	620062705	Housing Assy Nozzle Outer Multi FI IDC Pro 255
3	620059736	Diffuser MFV Multiflavor Nozzle, Gen 2
4	620059737	Seal, Diffuser MFV
5	620716316	O-ring 1.739 070cs 65du E14
6	620716317	Ring 2.050" 103cs 65-70 Duro
7	620064189	Nozzle Assy 10/4/4 RH IDCPro255
	620066259	Nozzle Assy Rh IDC Pro255McD

Table 5: Beverage Valve and Nozzle System

8	620056838	Block Back 3x2 W/shutoff MFV
9	620700601	Screw, 10-16 Thread Forming Sheet metal Phillips Head SS, 1.25 Long 24
10	620057858	Base 3 Module MFV
11	620058297	Clip Valve Module MFV
12	620063627	Adapter Barb 3/16" Tubing MFV IDC Pro 255
13	620063628	Adapter Barb 1/4" Tubing MFV IDC Pro 255
*	629097448	Kit Flow Controls Hydiet
*	629097551	IDC Pro Nozzle And Diffuser Kit

* Indicates Not Shown

BEVERAGE VALVE SYSTEM DETAIL

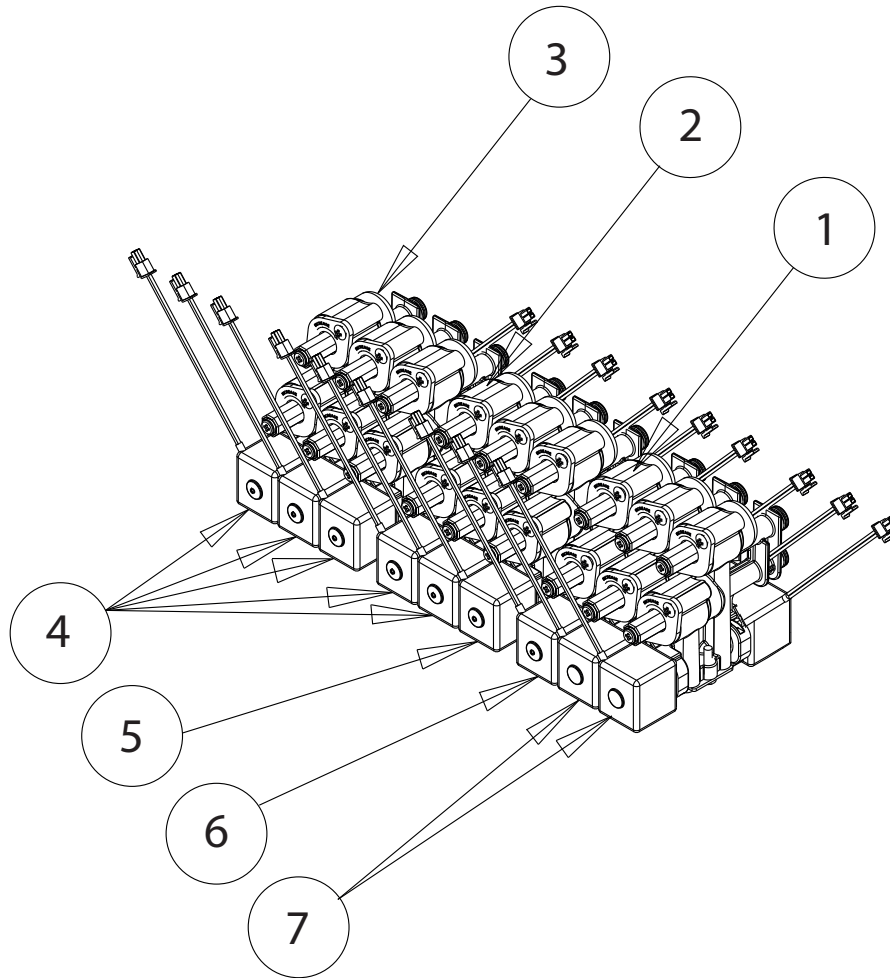


Figure 7. Beverage Valve system

Table 6: Beverage Valve system

Item No.	Part No.	Description
1	620058272-019	2 W90 Water + 4 Flavor
	620065917-004	4 Flavor SFV1 Style
	620065917-008	2 W90 Water + 4 Flavor SFV1 Style
2	620058272-018	4 Hy Brand + 2 W210 Water Vertical Barb
	620065917-003	4 Hy Brand + 2 W210 Water Vertical Barb SFV1 Style
3	620058272-017	6 Hy Brand Vertical Barb
	620065917-002	6 Hy Brand Vertical Barb SFV1 Style
4	620056892S	Valve Syrup MFV
	620065886S	Valve Syrup MFV SFV1 Style
5	620056892W210	Water MFV - High Flow
	620065886W	Water MFV (use with SFV1)
6	620056892W90	Water MFV - Low Flow
	620065886W90	Water MFV - Low Flow (use with SFV1)
7	620056892F	Valve Flavor MFV
	620065886F	Valve Flavor MFV SFV1 Style

* Indicates Not Shown

BEVERAGE PANEL ASSEMBLY DETAIL

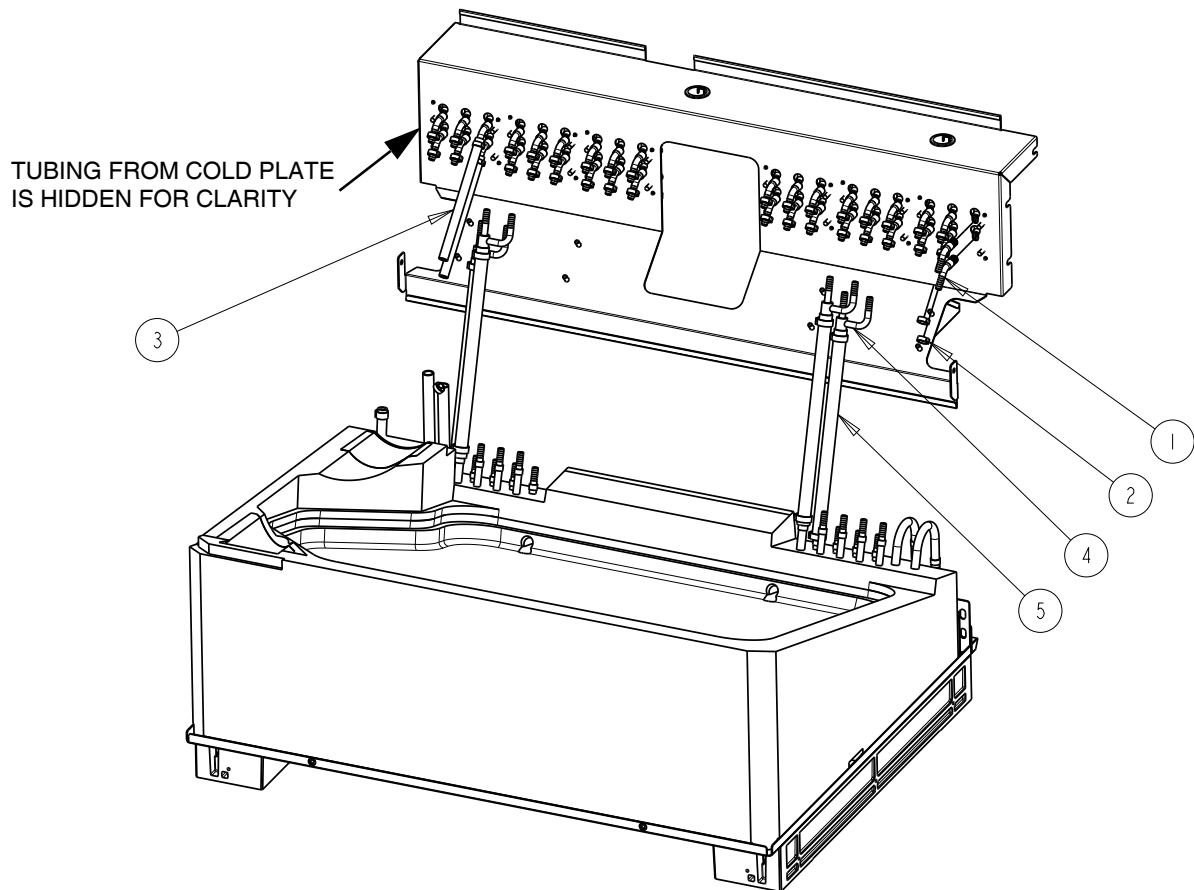


Figure 8. Beverage Panel Assembly

Table 7: Beverage Panel Assembly

Item No.	Part No.	Description
1	620058126	Fitg 45 Deg Barbed
2	311908000	Clamp Oetr 445open Stpls #11.3
3	620717791	Tubg Sg 265id X 420 300' Taste Rite Braided
4	77900800	Fitg Y-brb 1/4(2) X 3/8brb Ss
5	620607436	Tubg Polyethylene .380 X .593 Line 1 Inch
	620717792	Tubg SG 375id X 535 Taste Rite Braided
*	50163	Armaflex, 3/8 Id X 3/8 W X 72"
*	50249	Tubg Insul 1/2id X 3/8wl X 6'

* Indicates Not Shown

CARBONATOR TANK ASSEMBLY DETAIL (IF APPLICABLE)

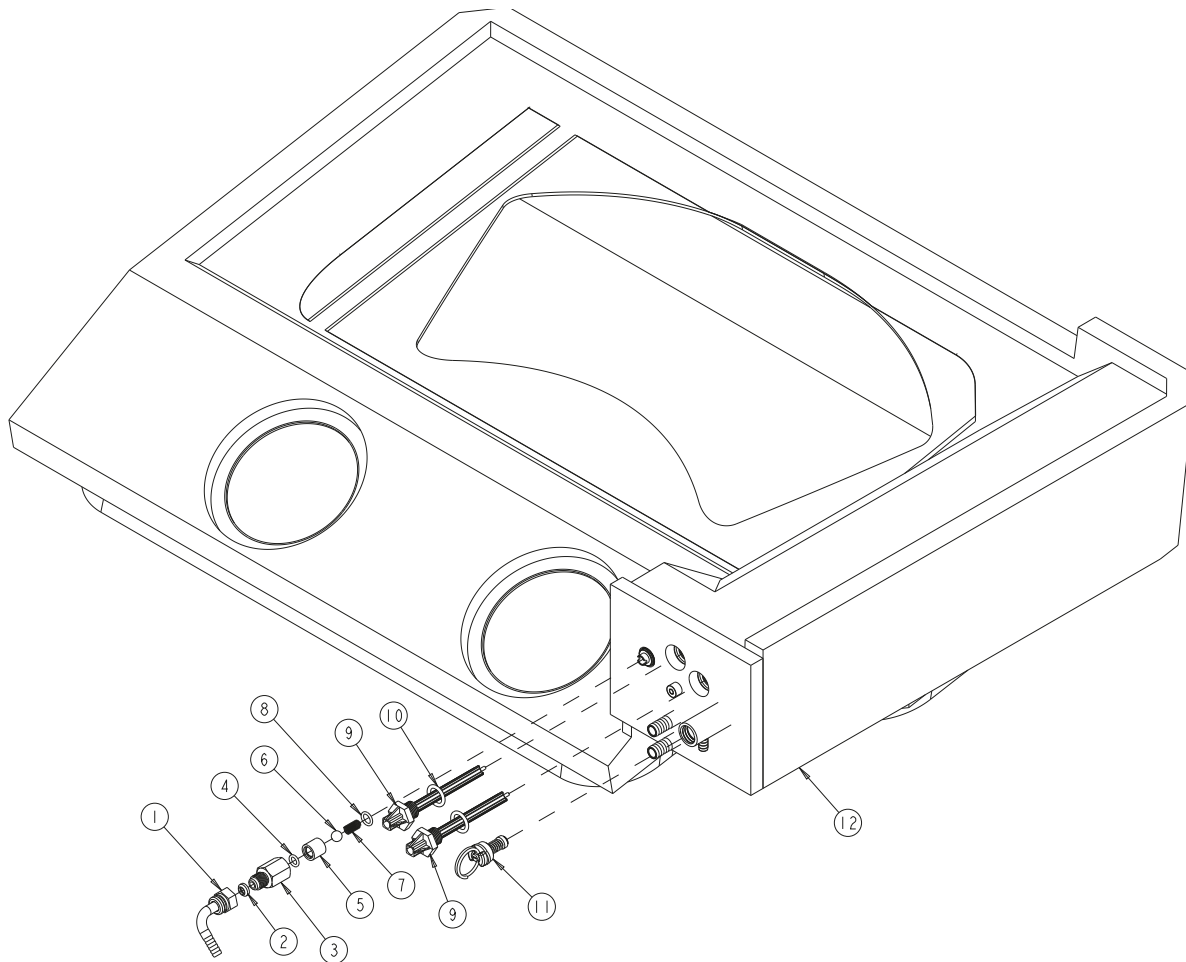


Figure 9. Carbonator Tank Assembly

Table 8: Carbonator Tank Assembly

Item No.	Part No.	Description
1	77040100	L-Swivel Fitting 7/16"-20 (1/4" FFL) FL X 1/4" Barb, SS
2	178025100	Male Gasket Flare Fitting
3	560006103	Valve Chk Body
4	398033002	O-Ring .239" ID .070" CS 70 DU BU-N
5	64686	Check Valve Sleeve SS

Table 8: Carbonator Tank Assembly

6	64560	Check Valve Ball .3125" SS
7	64678	Spring
8	31525012	O-Ring .301" ID .070" CS 60 DU BU-N
9	620607108	Liquid Level Control Probe: Must be Purchased w/ Item 10 (O-Ring)
10	31525007	O-Ring .488" ID 103 CS 60 DU BU-N
11	630001122	Valve Relief Asy Black
12	620516645	Cover Coldplate Access

PUMP AND MOTOR ASSEMBLY DETAIL (620408124 PUMP & MOTOR ASY 120/60 1/3HP)

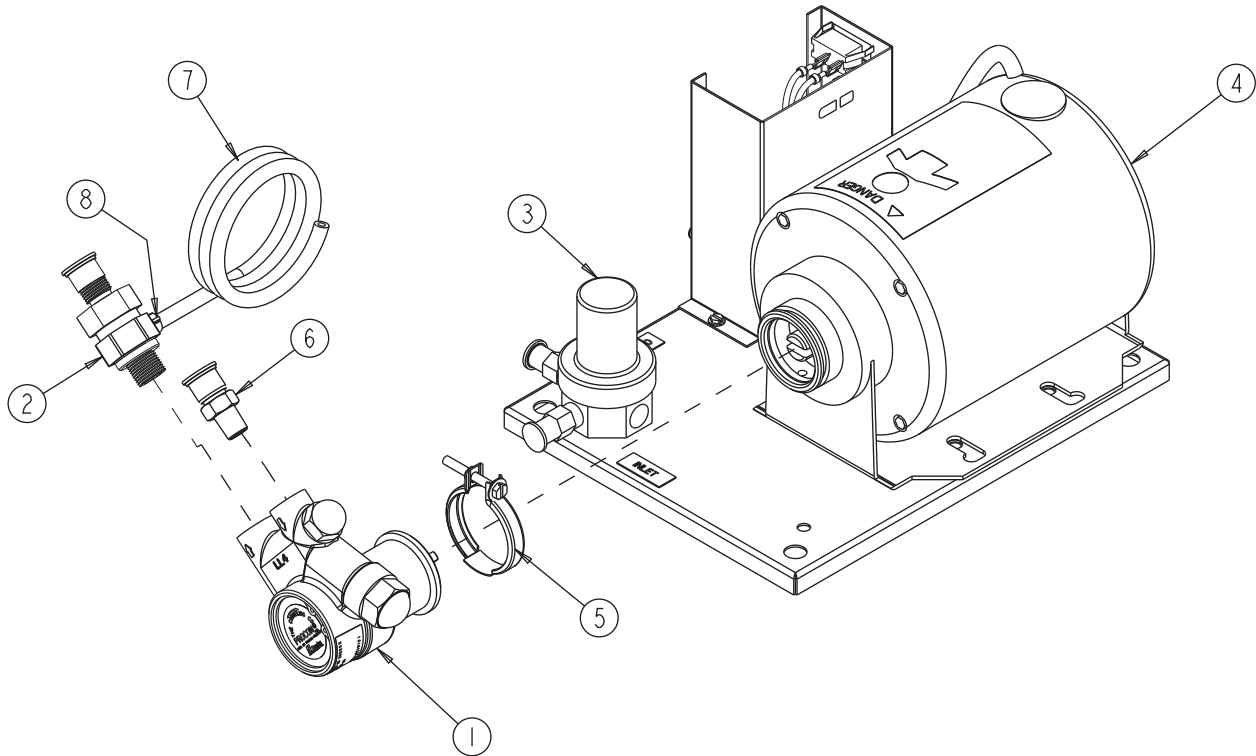


Figure 10. Pump and Motor Assembly
Table 9: Pump and Motor Assembly

Item No.	Part No.	Description
1	60170LL	PUMP 125GPH W/S TRN PROCON LOW
2	620608773	Check Valve 3/8MPT 5/8-18
3	620709802	Pressure Regulator 75 PSIG
4	60030058	Motor Pump 115Volt
	71860673	Motor Pump 220/240 Volt
5	187483000	Clamp
6	111337000	Straight Fitting 3/8 MPT X 3/8 MF, Brass
7	174004000	Polyethylene Tubing .156" ID X .312" OD
8	311527000	Oetiker Clamp #8.7

DOOR ASSEMBLY-620064948

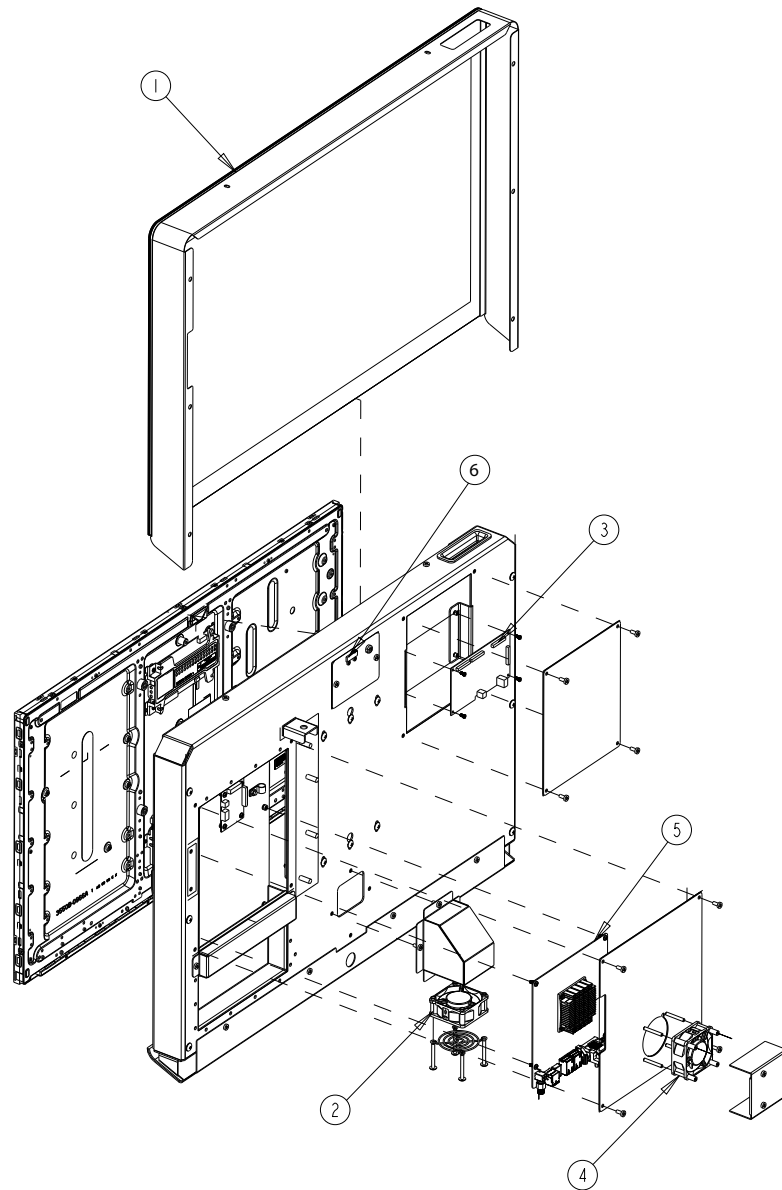


Figure 11. Door Assembly

Table 10: Door Assembly

Item No.	Part No.	Description
1	620065604	Door Glass Wrapper Assy IDC Pro 255
2	620065603	Door Intake Fan Assy IDC Pro 255
3	620200198	Door Touch Controller IDC Pro 255
4	620200199	Door Exhaust Fan Assy IDC Pro 255
5	620200200	Door SBC IDC Pro 255
6	620314527	Sensor Position Ice Chute IDC
*	620064459	Latch Door IDC Pro 255
*	70171	Screw MA 08-32 TRPH 12 SS

* Indicates Not Shown

VALVE ASSEMBLY

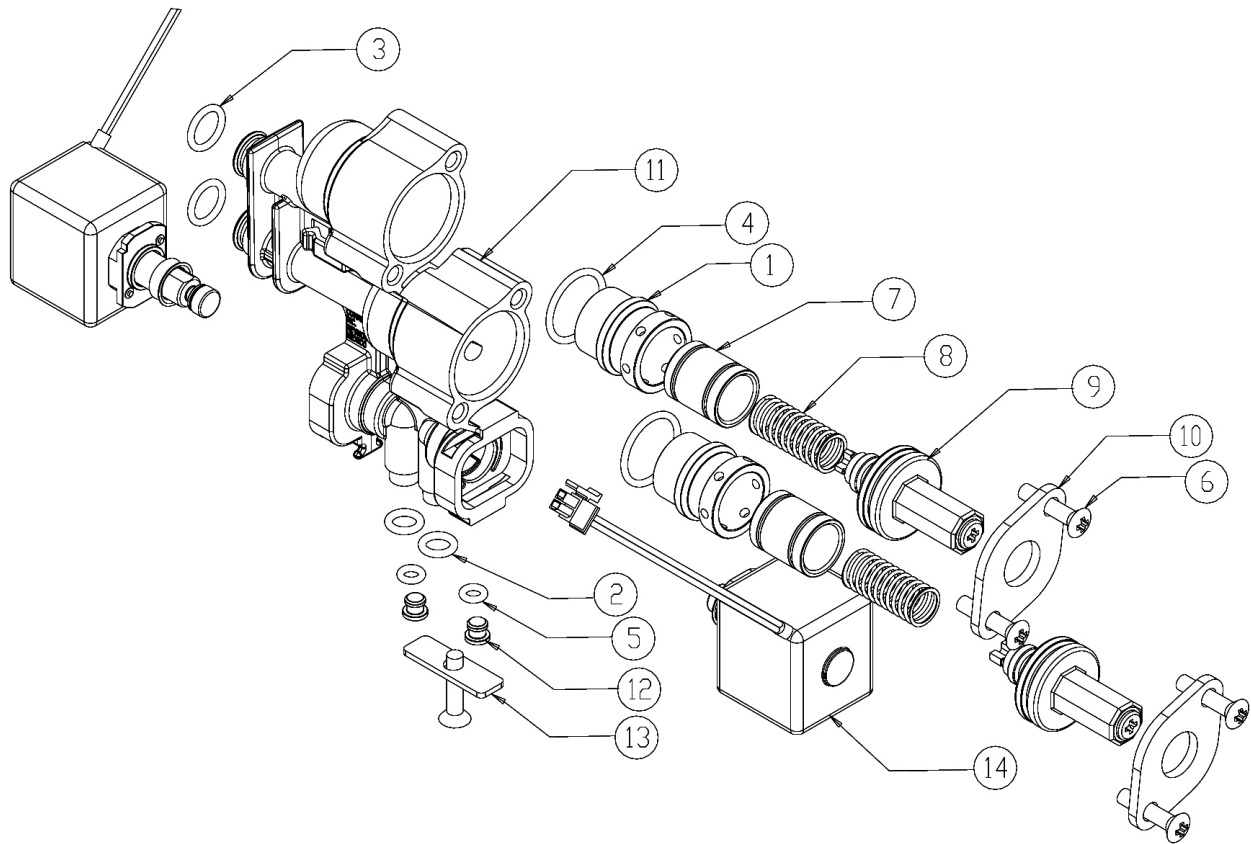


Figure 12. Valve Assembly

NOTE: See table below to help determine which valve components to order. Valve components will vary by machine Part Number which can be found on the label on the right side of the machine or on the E-Box cover inside the unit

Page No.	Machine Part No.	Description
12	621058667	115V Drip Tray
	621058668	115V Z-Style
13	621058671	115V McD Drip Tray
	621058672	115V McD Z-Style
14	621058687	115V SFV-1 Drip Tray
	621058688	115V SFV-1 Z-Style

SYRUP VALVE BODY ASSY, MFV - 620056892S (WHITE ADJUSTMENT SCREW, BLACK HOUSING)

Table 11: Valve Assembly

Item No.	Part No.	Description
1	1934	Cylinder F-cntl Ceramic UF1
2	740001852	O-ring 239id 077cs 70du E16
3	620059773	Quad-ring 364id 070cs 70du 559
4	317816000	O-ring 676id 070cs 70du E16
5	321544000	O-ring 145id 070cs 65du E14
6	560001108	Screw Tt 08-16 Ovph 26 SSPA

Table 11: Valve Assembly

7	560006005	Piston Syr Reg Crmic 2-4 Oz
8	560006176	Spring Flow-cntl Ufb 2-4 Oz
9	560007207	Scw Adj Uf-1 Flow Assy
10	620046317	Retainer Flow-cntl Body Grappa
11	620056885	Body Valve MFV
12	620056965	Plug Bottom Valve Body MFV
13	620056966	Plate Valve Body MFV
14	620058280	Solenoid Asy 24v MFV Syrup

WATER VALVE BODY ASSY, MFV - 620056892W210 (WHITE ADJUSTMENT SCREW W/GREEN DOT, WHITE HOUSING) & 620056892W90 (WHITE ADJUSTMENT SCREW W/BLUE DOT, WHITE HOUSING)

Table 12: Valve Assembly

Item No.	Part No.	Description
1	1934	Cylinder F-cntl Ceramic UF1
2	740001852	O-ring 239id 077cs 70du E16
3	620059773	Quad-ring 364id 070cs 70du 559
4	317816000	O-ring 676id 070cs 70du E16
5	321544000	O-ring 145id 070cs 65du E14
6	560001108	Screw Tt 08-16 Ovph 26 SSPA

Table 12: Valve Assembly

7	620052858	Piston Wtr Reg Crmic SFV1
	560006005	Piston Syr Reg Crmic 2-4 Oz
8	560006176	Spring Flow-cntl Ufb 2-4 Oz
9	560007207-1	Scw ADJ Flow Assy Crush Rib
10	620046317	Retainer Flow-cntl Body Grappa
11	620056885	Body Valve MFV
12	620056965	Plug Bottom Valve Body MFV
13	620056966	Plate Valve Body MFV
14	620058279	Solenoid Asy 24V MFV Water

FLAVOR VALVE BODY ASSY, MFV - 620056892F (WHITE ADJUSTMENT SCREW, PURPLE HOUSING)

Table 13: Valve Assembly

Item No.	Part No.	Description
1	740002075	Sleeve Cylinder F-cntl MFV Val
2	740001852	O-ring 239id 077cs 70du E16
3	620059773	Quad-ring 364id 070cs 70du 559
4	317816000	O-ring 676id 070cs 70du E16
5	321544000	O-ring 145id 070cs 65du E14
6	560001108	Screw Tt 08-16 Ovph 26 SSPA

Table 13: Valve Assembly

7	740002076	Piston Syrup MFV 30:1
8	48258005	Spring Syrup SLJ
9	560007207-2	Scw ADJ Flow Assy O-ring
10	620046317	Retainer Flow-cntl Body Grappa
11	620056885	Body Valve MFV
12	620056965	Plug Bottom Valve Body MFV
13	620056966	Plate Valve Body MFV
14	620058280	Solenoid Asy 24V MFV Syrup

BODY VALVE SYRUP ASSY, MFV REF - 620065886S (GRAY ADJUSTMENT SCREW, BLACK HOUSING)

Table 14: Valve Assembly

Item No.	Part No.	Description
1	1934	Cylinder F-cntl Ceramic UF1
2	740001852	O-ring 239id 077cs 70du E16
3	620059773	Quad-ring 364id 070cs 70du 559
4	317816000	O-ring 676id 070cs 70du E16
5	321544000	O-ring 145id 070cs 65du E14
6	560001108	Screw TT 08-16 OVPH 26 SSPA

Table 14: Valve Assembly

7	310480011	Piston Syr Reg Crmic
8	1940	Spring Flow-cntl UF1
9	620720806	Screw- ADJ Flow Asy
10	620046317	Retainer Flow-cntl Body Grappa
11	620056885	Body Valve MFV
12	620056965	Plug Bottom Valve Body MFV
13	620056966	Plate Valve Body MFV
14	620058280-01	Solenoid Asy 24V Grappa/MFV SY

BODY VALVE WATER ASSY, MFV REF - 620065886W (GRAY ADJUSTMENT SCREW, WHITE HOUSING)

Table 15: Valve Assembly

Item No.	Part No.	Description
1	1934	Cylinder F-cntl Ceramic UF1
2	740001852	O-ring 239id 077cs 70du E16
3	620059773	Quad-ring 364id 070cs 70du 559
4	317816000	O-ring 676id 070cs 70du E16
5	321544000	O-ring 145id 070cs 65du E14
6	560001108	Screw Tt 08-16 Ovph 26 SSPA

Table 15: Valve Assembly

7	620052858	Piston Wtr Reg Crmic SFV1
8	560006176	Spring Flow-cntl Ufb 2-4 Oz
9	620720806-2	Screw- ADJ Flow Assy Natural
10	620046317	Retainer Flow-cntl Body Grappa
11	620056885	Body Valve MFV
12	620056965	Plug Bottom Valve Body MFV
13	620056966	Plate Valve Body MFV
14	620058279-01	Solenoid Asy 24V Grappa/MFV WA

BODY VALVE FLAVOR ASSY, MFV - 620065886F (GRAY ADJUSTMENT SCREW, PURPLE HOUSING)

Table 16: Valve Assembly

Item No.	Part No.	Description
1	740002075	Sleeve Cylinder F-cntl MFV Val
2	740001852	O-ring 239id 077cs 70du E16
3	620059773	Quad-ring 364id 070cs 70du 559
4	317816000	O-ring 676id 070cs 70du E16
5	321544000	O-ring 145id 070cs 65du E14
6	560001108	Screw Tt 08-16 Ovph 26 SSPA

Table 16: Valve Assembly

7	740002076	Piston Syrup MFV 30:1
8	48258005	Spring Syrup SLJ
9	560007207-2	Scw ADJ Flow Assy O-ring
10	620046317	Retainer Flow-cntl Body Grappa
11	620056885	Body Valve MFV
12	620056965	Plug Bottom Valve Body MFV
13	620056966	Plate Valve Body MFV
14	620058280-01	Solenoid Asy 24V Grappa/MFV SY

BODY VALVE SYRUP ASSY, MFV REF - 620065886S (GRAY ADJUSTMENT SCREW, BLACK HOUSING)

Table 17: Valve Assembly

Item No.	Part No.	Description
1	1934	Cylinder F-cntl Ceramic UF1
2	740001852	O-ring 239id 077cs 70du E16
3	620059773	Quad-ring 364id 070cs 70du 559
4	317816000	O-ring 676id 070cs 70du E16
5	321544000	O-ring 145id 070cs 65du E14
6	560001108	Screw Tt 08-16 Ovph 26 SSPA

Table 17: Valve Assembly

7	310480011	Piston Syr Reg Crmic
8	1940	Spring Flow-cntl UF1
9	620720806	Screw- ADJ Flow Asy
10	620046317	Retainer Flow-cntl Body Grappa
11	620056885	Body Valve MFV
12	620056965	Plug Bottom Valve Body MFV
13	620056966	Plate Valve Body MFV
14	620058280-01	Solenoid Asy 24v Grappa/MFV SY

BODY VALVE WATER ASSY, MFV REF - 620065886W (GRAY ADJUSTMENT SCREW W/GREEN DOT, WHITE HOUSING) & 620065886W90 (GRAY ADJUSTMENT SCREW W/BLUE DOT, WHITE HOUSING)

Table 18: Valve Assembly

Item No.	Part No.	Description
1	1934	Cylinder F-cntl Ceramic UF1
2	740001852	O-ring 239id 077cs 70du E16
3	620059773	Quad-ring 364id 070cs 70du 559
4	317816000	O-ring 676id 070cs 70du E16
5	321544000	O-ring 145id 070cs 65du E14
6	560001108	Screw Tt 08-16 Ovph 26 SSPA
7	620052858	Piston Wtr Reg Crmic SFV1
	560006005	Piston Syr Reg Crmic 2-4 Oz

Table 18: Valve Assembly

8	560006176	Spring Flow-cntl Ufb 2-4 Oz
9	620720806-2	Screw- ADJ Flow Assy Natural
	560007207-1	Scw ADJ Flow Assy Crush Rib
10	620046317	Retainer Flow-cntl Body Grappa
11	620056885	Body Valve MFV
12	620056965	Plug Bottom Valve Body MFV
13	620056966	Plate Valve Body MFV
14	620058279-01	Solenoid Asy 24V MFV Water

BODY VALVE FLAVOR ASSY, MFV - 620065886F (GRAY ADJUSTMENT SCREW, PURPLE HOUSING)

Table 19: Valve Assembly

Item No.	Part No.	Description
1	740002075	Sleeve Cylinder F-cntl MFV Val
2	740001852	O-ring 239id 077cs 70du E16
3	620059773	Quad-ring 364id 070cs 70du 559
4	317816000	O-ring 676id 070cs 70du E16
5	321544000	O-ring 145id 070cs 65du E14
6	560001108	Screw Tt 08-16 Ovph 26 SSPA

Table 19: Valve Assembly

7	740002076	Piston Syrup MFV 30:1
8	48258005	Spring Syrup SLJ
9	560007207-2	Scw ADJ Flow Assy O-ring
10	620046317	Retainer Flow-cntl Body Grappa
11	620056885	Body Valve MFV
12	620056965	Plug Bottom Valve Body MFV
13	620056966	Plate Valve Body MFV
14	620058280-01	Solenoid Asy 24V Grappa/MFV SY

ACCESSORIES

Table 20: Accessories

Item No.	Part No.	Description
1	620064642	Bottle Novus No.2 Fine Scratch Remover
2	620064585	Misc. Data Stick 4gb USB
3	620920419	Kit Ice Slide IDC 215/255
4	629097238	Kit IDC 215/255 Ice Slide And Diverter
5	620054386	Cup Brix 10 oz
	0858	Cup Brix Prop 5.25:1/4.75:1 CC
6	620064991	USB Config Gen IDC Pro255
	620064981	USB Config McD IDC Pro255
	620066633	USB Config Subway IDC Pro255

* SECURITY DONGLE "KEY" AVAILABLE UPON APPROVED REQUEST, PLEASE CONTACT CORNELIUS OR 3WIRE FOR AVAILABILITY.



Cornelius Inc.
www.cornelius.com