



# Beverage Systems

CARD NO.  
**2**

**2**

## Planned Maintenance System Maintenance Requirement Card (MRC)

**Equipment:**

**Everpure Water Filtration System:** Ice Maker Feeder–Quad and Tri-Pack Systems

**Precaution:**

**Essential that this procedure be performed during non-business hours.**

**Hazard Communication Standard (HCS) – The procedures on this card include the use of chemical products. These chemical products will be highlighted with bold face letters followed by the abbreviation (HCS) in the tools portion of the procedure. See the Hazard Communication Standard (HCS) Manual for the appropriate Material Safety Data Sheet(s) (MSDS).**

PICTURES AND ADDITIONAL INFORMATION: Corresponding Chapter of *Equipment Manual*

**Monthly**

### Visually check level of scale inhibitor in Ice Maker Feeder (IMF) Cartridge

**Tools:**

- None required.

1. Examine level of scale inhibitor in IMF cartridge through pressure vessel. (Figure 1)

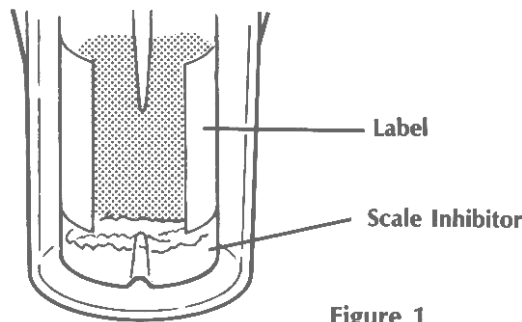


Figure 1

2. If scale inhibitor level is below the bottom of the identifying label on inner cartridge, replace cartridge. See next procedure for step by step.

**Semi-Annually**

### Change Ice Maker Feeder (IMF) Cartridge

**Tools:**

- Cloth towel, Taylor Lube or Hynes Lubri-Film (HCS).

**Caution**

**Turn OFF power to ice machine and coffee maker.**

1. Turn OFF power to ice machine and coffee maker and close the water shut-off valve of the water line to both. (Figure 2)

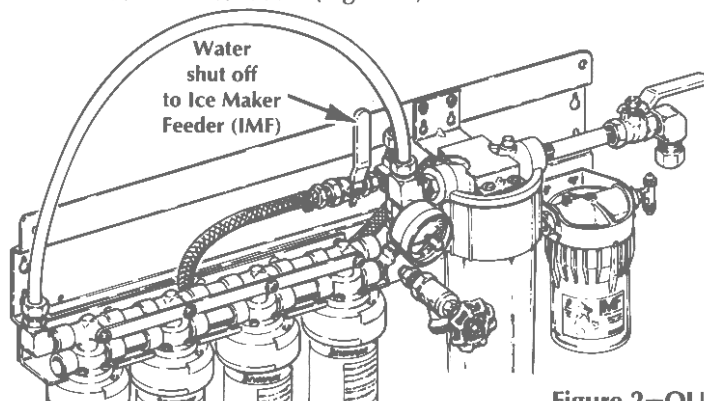


Figure 2—QUAD SYSTEM

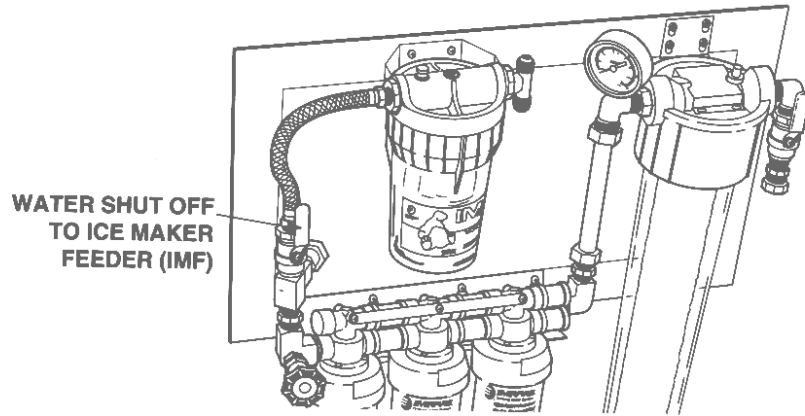


Figure 2—TRI-PACK SYSTEM

2. Relieve water pressure within the IMF by **SLIGHTLY** unscrewing thumb screw of the pressure relief valve located on top of the filter head. (Figure 3)

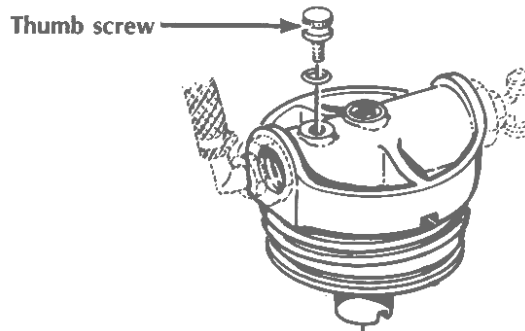


Figure 3—TRI-PACK SYSTEM

3. Unscrew and remove the pressure vessel. If the pressure vessel interior is coated with rust or dirt, wash with warm water and a cloth towel only.
4. Remove the exhausted IMF cartridge by pulling gently downward.
5. Check quad ring to make sure it is lightly lubricated and not twisted or nicked. Replace if necessary. (Figure 4)

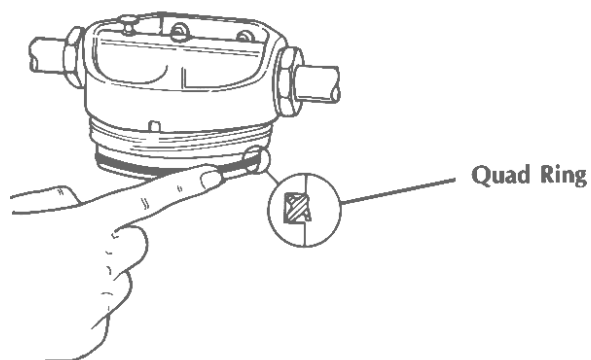


Figure 4

6. **REMOVE PROTECTIVE WRAPPING** and place new IMF cartridge into pressure vessel. Move pressure vessel with cartridge to feeder head assembly. Holding the pressure vessel in 1 hand with the new cartridge inside the vessel, grasp the new cartridge with the other hand and carefully insert new IMF cartridge into the fitting in the feeder head assembly. (Figure 5)

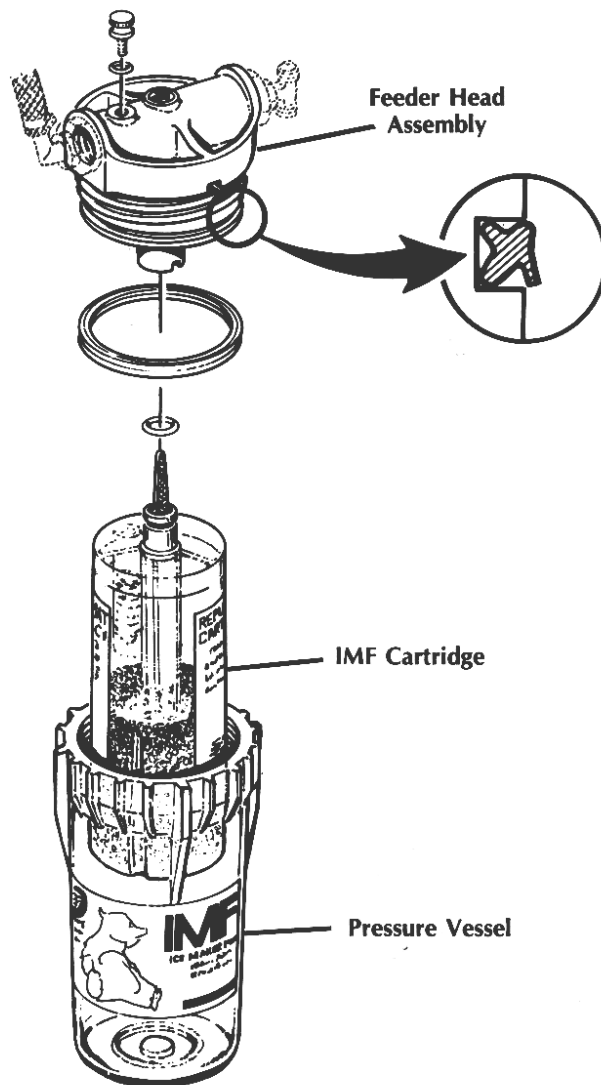


Figure 5

7. Firmly screw pressure vessel onto feeder head assembly. **HAND TIGHTEN ONLY.**
8. Tighten thumb screw of pressure relief valve.
9. Open water shut-off valve.
10. Check for leaks. If there are leaks see troubleshooting section of *Equipment Manual*.
11. Turn power to ice machine and coffee maker back ON.
12. If there are no leaks changeout is complete.