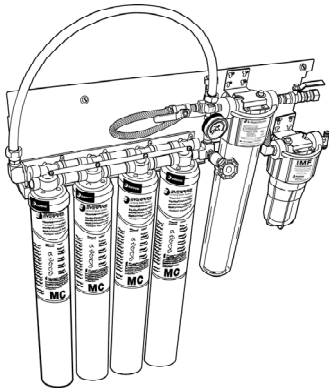




Planned Maintenance
System: Maintenance
Requirement Card
(MRC)



When
Monthly

Tools
None required.

When
Semi-annually

Tools
Cloth towel, Taylor Lube or
Hynes Lubri-Film (HCS)

Beverage Systems

Everpure, Inc.: Ice Maker Feeder – Quad and Tri-Pack Systems

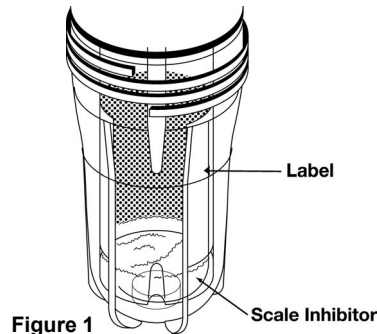
Precaution

Essential that this procedure be performed during non-business hours.

Hazard Communication Standard (HCS) - The procedure(s) in this manual include the use of chemical products. These chemical products will be highlighted with italic-faced letters followed by the abbreviation (HCS). See Hazard Communication Standard (HCS) manual for the appropriate Material Safety Data Sheet(s)

Visually check level of scale inhibitor in Ice Maker Feeder (IMF) Cartridge

1. Examine level of scale inhibitor in IMF cartridge through pressure vessel. (Figure 1)



2. If scale inhibitor level is below the bottom of the identifying label on inner cartridge, replace cartridge. See next procedure for step by step.

Change Ice Maker Feeder (IMF) Cartridge

CAUTION: Turn OFF power to ice machine and coffee maker and close the water shut-off valve of the water line to both. (Figure 2)

1. Shut OFF power to ice machine and coffee maker and close the water shut-off valve of water to both. (Figure 2)

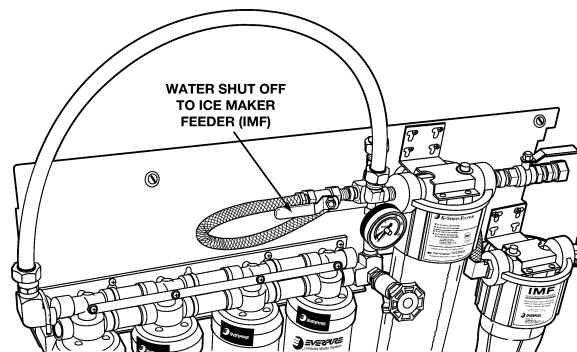


Figure 2 – Quad System

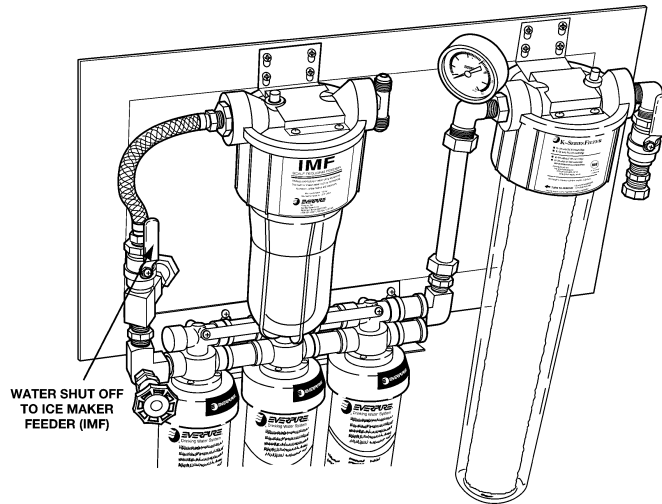


Figure 2 – Tri-Pack System

2. Relieve water pressure within the IMF by pressing the red pressure relief valve location on top of the filter head. (Figure 3)

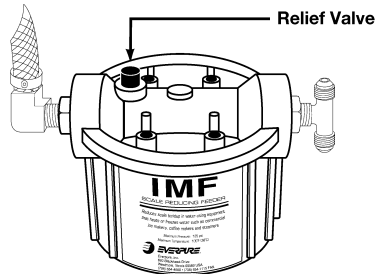


Figure 3 – Tri-Pack System

3. Unscrew and remove the pressure vessel. If the pressure vessel interior is coated with rust or dirt, wash with warm water and a cloth towel only.
4. Remove the exhausted IMF cartridge by pulling gently downward.
5. Check O-ring on the bowl to make sure it is lightly lubricated and not nicked. Replace if necessary. (Figure 4)

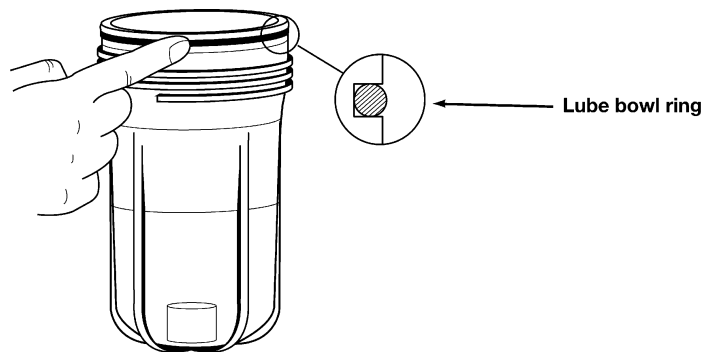


Figure 4

6. REMOVE PROTECTIVE WRAPPING and place new IMF cartridge up into the hole in the IMF head. Push the cartridge until it stays by itself in the head. (Figure 5)

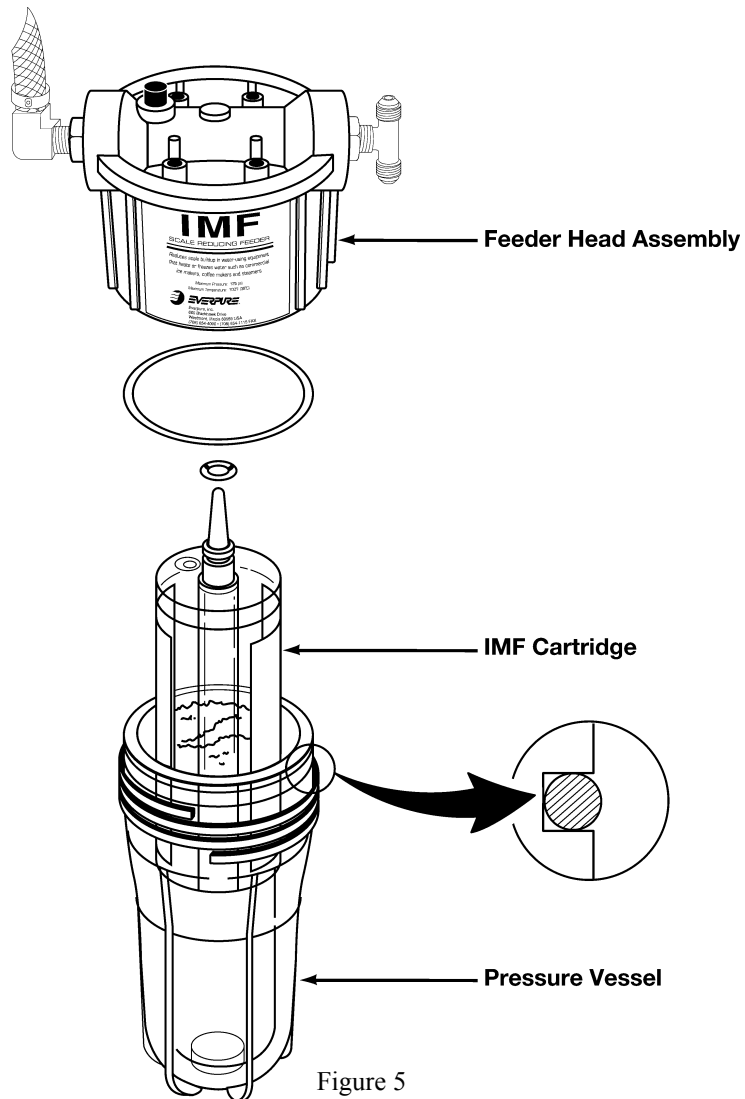


Figure 5

7. Firmly screw pressure vessel onto feeder head assembly. **HAND TIGHTEN ONLY.**
8. Open water shut-off valve.
9. Press red relief valve until all air is exhausted.
10. Check for leaks. If there are leaks see troubleshooting section of *Equipment Manual*.
11. Turn power to ice machine and coffee maker back ON.
12. If there are no leaks changeout is complete.