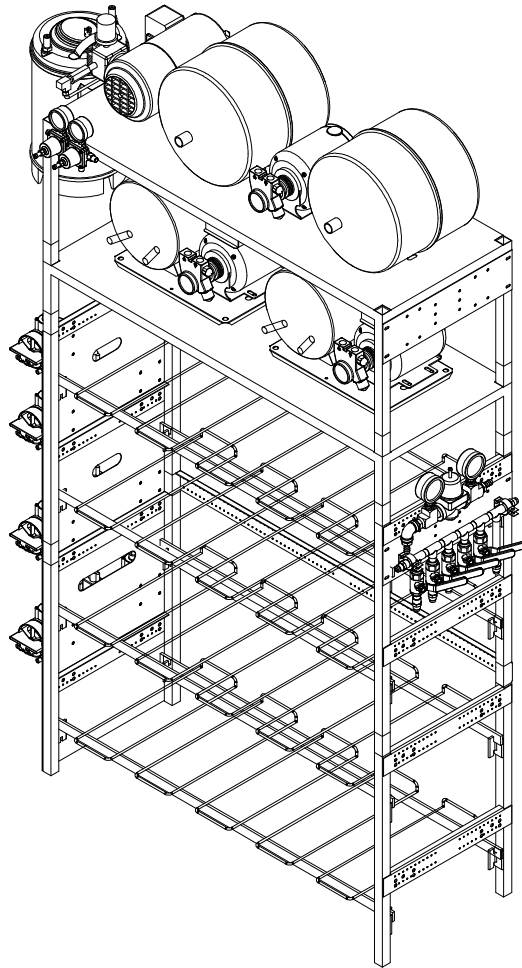


Restaurant Back Room Panel



Features:

- Back Room Panel holds two Carbonators, Selected Water Filter System, CO2 Regulators, twelve Tank Quick Disconnects, Water Regulator, Manifold, and Water Booster
- Supports any Beverage System Where Syrup and Water are Moved at Ambient Temperature from the Back Room to Drink Station(s)
- Water Filter System Choices are Everpure or Cuno. Add a (C) Cuno or (E) Everpure after BIB Stand Part Number to Designate your Filter Choice
- Water Booster and Surge Tank Shelf is Mounted on Top of the Panel. The Surge Tank is to Protect Water Filters from High Water Demand.
- Bag-in-Box (BIB) syrup Locations Should use the Bag-in-Box (BIB) Back Room Package upon the rack

Restaurant Back Room Panel



Technical Specifications:

Electrical

- **Volts:** 220 VAC, 50HZ, Current draw 6.8 Amps/Carbonator and Water Booster 4-Plex Outlet

Water Filter System: C-Cuno or E-Everpure. Both contain pre-filter, taste and odor filter, final filter, and phosphate feeder. 4" minimum clearance from floor required for filter removal

Water Regulator: Preset at 55 psi

Water Connections: 1-10' 1/2" ID Inlet Water Line with 1/2" barb x 1/2" MPT, 5-3/8" Male flare - Water Outlets, 1-3/8" Male flare - Bun Steamer Reg., 2-3/8" Male flare - Phosphate Water Outlets (ice machine and coffee)

CO2 Regulators: 2-Primary for Bulk CO2 Stand - by Tank, 1-Secondary for Sugar Syrup - Six Port, 60 psi setting, 1 Secondary for Diet Syrup - Three Port, 15-20 psi setting

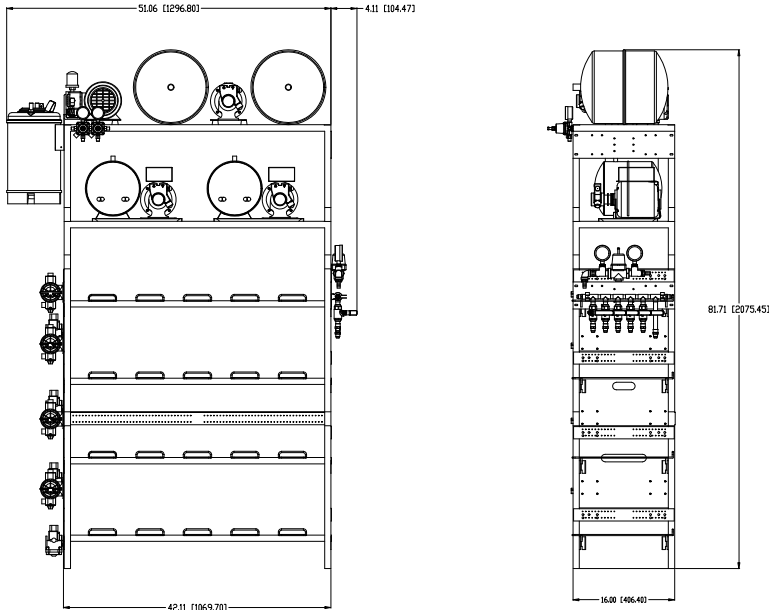
Carbonators: One per drink station (100 GPH)

Weights

- **Shipping Weight:** 260 kg

Dimensions

- **Height:** 81.7 " (2075.18 mm)
- **Width:** 55 " (1397.00 mm)
- **Depth:** 20 " (508.00 mm)



SPECIFICATIONS

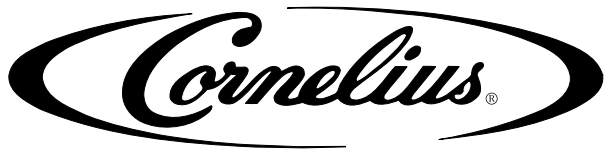
Part No.	Description
891249903	220V/50 Hz Panel, two carbonators, water booster, one air compressor



© 2013 Cornelius

Cornelius(Tianjin) Co.,LTD
 No.12, Xintai Road, TEDA, Tianjin, China
 Tel:+86 22 25290858
 Fax:+86 22 25290865
 E-mail: customerservice@cornelius.com.cn
 Website: www.cornelius-asia.com

For more information or to place an order, contact your sales representative or authorized distributor.



Restaurant Back Room Wall Panel



Features:

- Back Room Panel Hangs on the wall and holds one or two Carbonators, Selected Water Filter System, CO2 Regulators, six Tank Quick Disconnects, Water Regulator, Manifold, and Water Booster
- Supports any Beverage System Where Syrup and Water are Moved at Ambient Temperature from the Back Room to Drink Station(s)
- Water Filter System Choices are Everpure or Cuno. Add a (C) Cuno or (E) Everpure after BIB Stand Part Number to Designate your Filter Choice
- Water Booster and Surge Tank Shelf is Mounted on Top of the Panel or can be Mounted Separately on the Wall. Panel Height is 55" (1397 MM) instead of 68" (1727 mm) When Shelf is Mounted Separately on the Wall. The Surge Tank is to Protect Water Filters from High Water Demand. Water Booster Shelf 31" (787.40 mm) W x 26" (600.4 mm) H with legs x 18" (457.2 mm) D
- Bag-in-Box (BIB) syrup Locations Should use the Bag-in-Box (BIB) Back Room Package Instead of the Panel



Restaurant Back Room Wall Panel

Technical Specifications:

Electrical

- Volts: 220 VAC, 50HZ, Current draw 6.8 Amps/Carbonator and Water Booster 4-Plex Outlet

Water Filter System: C-Cuno or E-Everpure. Both contain pre-filter, taste and odor filter, final filter, and phosphate feeder. 4" minimum clearance from floor required for filter removal

Water Regulator: Preset at 55 psi

Water Connections: 1-10' 1/2" ID Inlet Water Line with 1/2" barb x 1/2" MPT, 5-3/8" Male flare - Water Outlets, 1-3/8" Male flare - Bun Steamer Reg., 2-3/8" Male flare - Phosphate Water Outlets (ice machine and coffee)

CO2 Regulators: 2-Primary for Bulk CO2 Stand - by Tank, 1-Secondary for Sugar Syrup - Six Port, 60 psi setting, 1 Secondary for Diet Syrup - Three Port, 15-20 psi setting

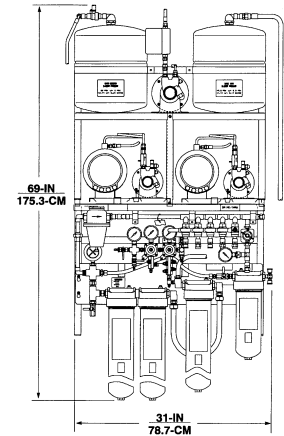
Carbonators: One per drink station (100 GPH)

Weights

- Shipping Weight: 220 lbs. (143 kg)

Dimensions

- Height: 68" (1727 mm)
- Width: 31" (787.40 mm) with air compressor shelf 40" (101.6 mm)
- Depth: 18" (457.20 mm)



NOTE: DEPTH IS 18-IN 45.7-CM

SPECIFICATIONS

Part No.	Description
8882C	C 220V/50 Hz Panel, one carbonator, water booster, air compressor
8740C	C 220V/50 Hz Panel, two carbonator, water booster, air compressor
8740C-W	C 220V/50 Hz Panel, two carbonator, water booster, air compressor, wood box
8740E	E 220V/50 Hz Panel, two carbonator, water booster, air compressor
8740E-W	E 220V/50 Hz Panel, two carbonator, water booster, air compressor, wood box
8740S	no filter 220V/50 Hz Panel, two carbonator, water booster, air compressor
8740SQ	no filter 220V/50 Hz Panel, two carbonator, water booster, air compressor, wood box
8740SQ-BIB	no filter 220V/50 Hz Panel, two carbonator, water booster, air compressor, wood box, BIB



For more information or to place an order, contact your sales representative or authorized distributor:

Cornelius(Tianjin) Co.,LTD
No.12, Xintai Road, TEDA, Tianjin, China
Tel:+86 22 25290858
Fax:+86 22 25290865

E-mail: customerservice@cornelius.com.cn

Website: www.cornelius-asia.com



INSTALLATION INSTRUCTIONS

To the user of this manual: This unit must be installed and serviced by qualified persons. The unit contains no user serviceable parts.

Back Room Panel Part Numbers:

8882C 8740C 8740C-W 8740E 8740E-W 8740S 8740SQ 8740SQ-BIB

Water Booster Part Number:

8855 and 8755

SYSTEM OPTIONS

WATER PRESSURE BOOSTER

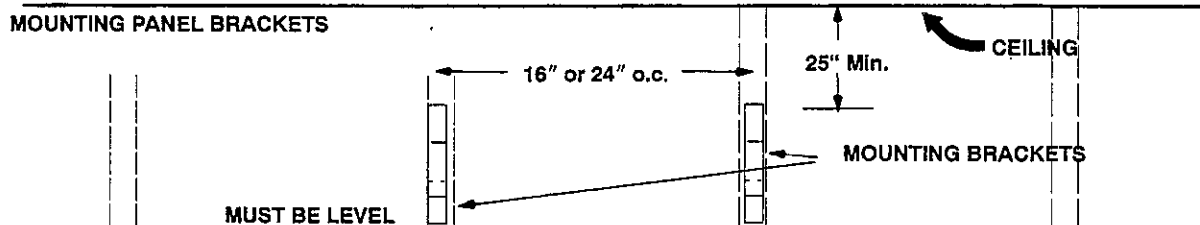
If the inlet water pressure to the back room panel is below 65 psi, then a water pressure booster should be installed to maintain constant pressure to the carbonator.



WARNING: The water booster pump motor *must* be earth grounded.

BACK ROOM PANEL INSTALLATION

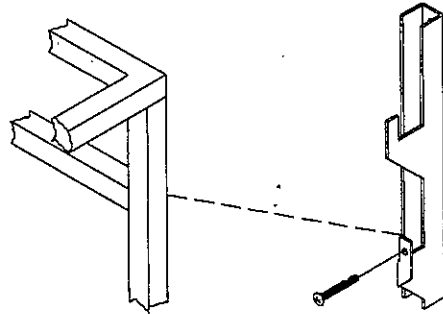
The location of the panel should be as close to the dispensing area as possible and have sufficient space for the syrup tanks. Although the restaurant management will dictate the possible locations, be sure to choose a location that allows easy access for changing syrup containers and filters. Also allow sufficient space for the CO₂ cylinders (Two on line, plus spares). CO₂ cylinders must be secured to meet DOT regulations. The panel attaches to the wall with the two brackets supplied. The brackets must be attached to wall studs with the 3/4" dry-wall screws provided. The width of the panel will accommodate wall stud spacing of 16 or 24 inches on center.



CAUTION: This Unit *must* not be installed or used outdoors where it will be exposed to the elements.

PANEL PLACEMENT

After the brackets are mounted on the wall as shown, the panel can be lifted into place. Lifting of the panel will require two persons.

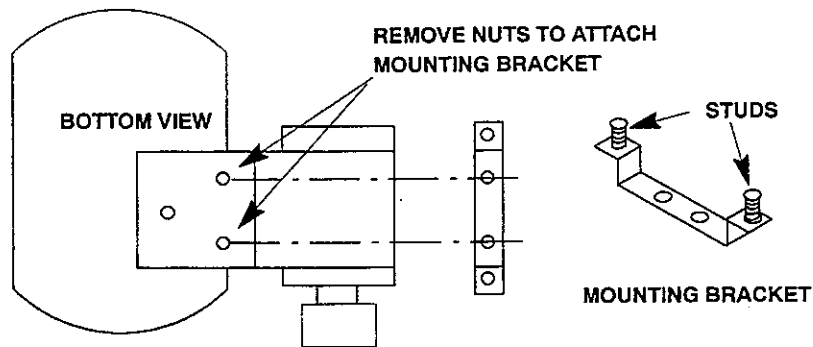


After the panel is in place, drill a hole into the panel frame using the hole in the bracket as a guide. A self-drilling screw will then secure the panel to the brackets. Only one is needed.

Connect all lines in the back room as indicated in the Connection Diagrams, Panel and Tanks.

The primary regulators, connected to the CO₂ cylinders must be set at 105 psig. This is the operating pressure for the carbonator.

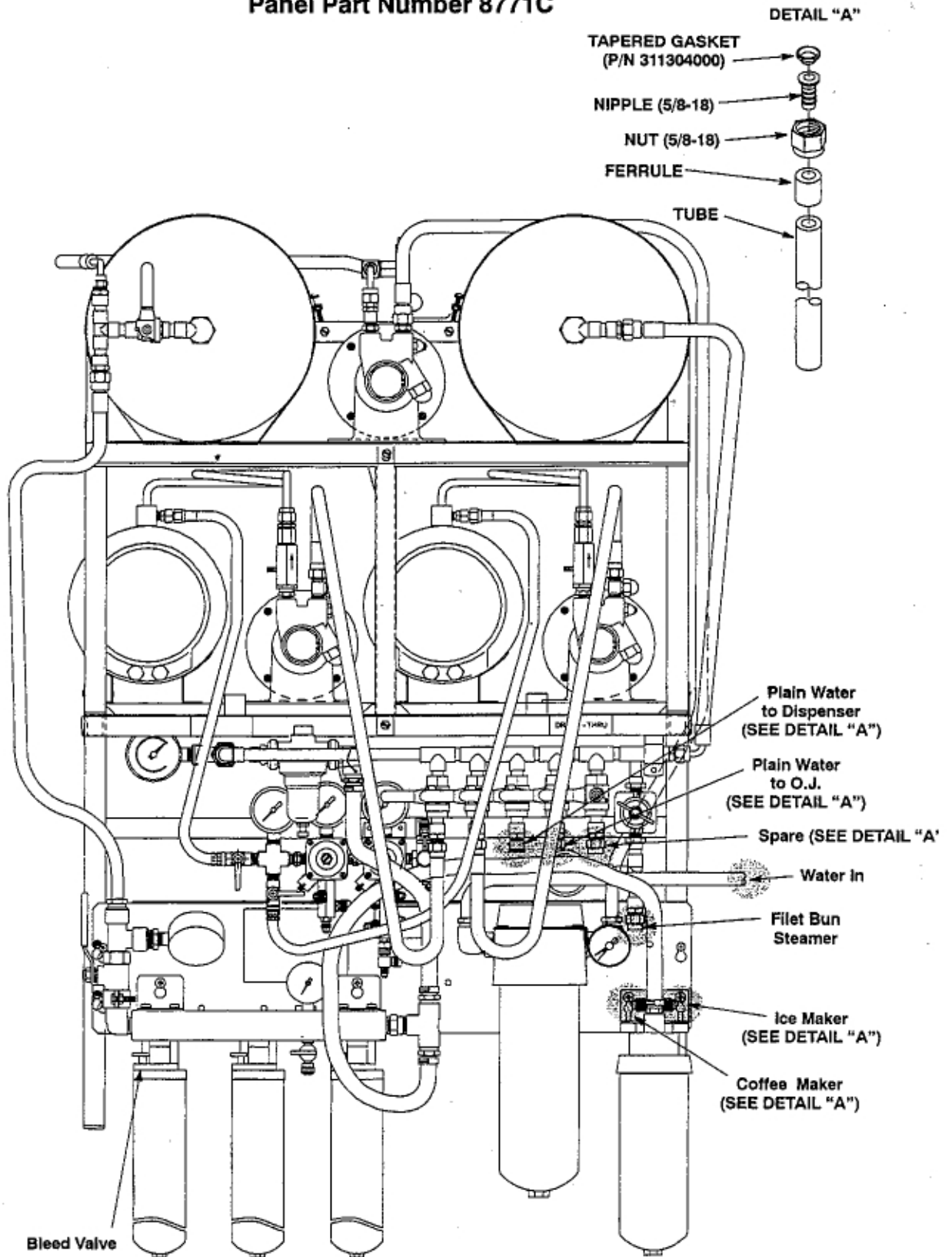
CARBONATOR INSTALLATION



The carbonator mounting brackets (2) are attached to the panel shelf. Remove these for attachment to the carbonator frame. Remove the nuts shown from the carbonator frame and place the mounting bracket over the studs. Replace the nuts and tighten securely.

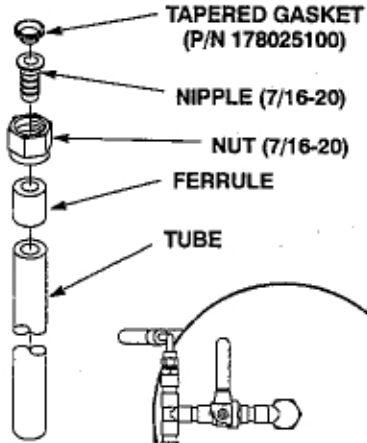
Position the carbonator on the shelf so the mounting bracket studs align with the holes in the shelf. Attach the nuts to the studs and tighten to secure the mounting bracket to the shelf.

Panel Part Number 8771C

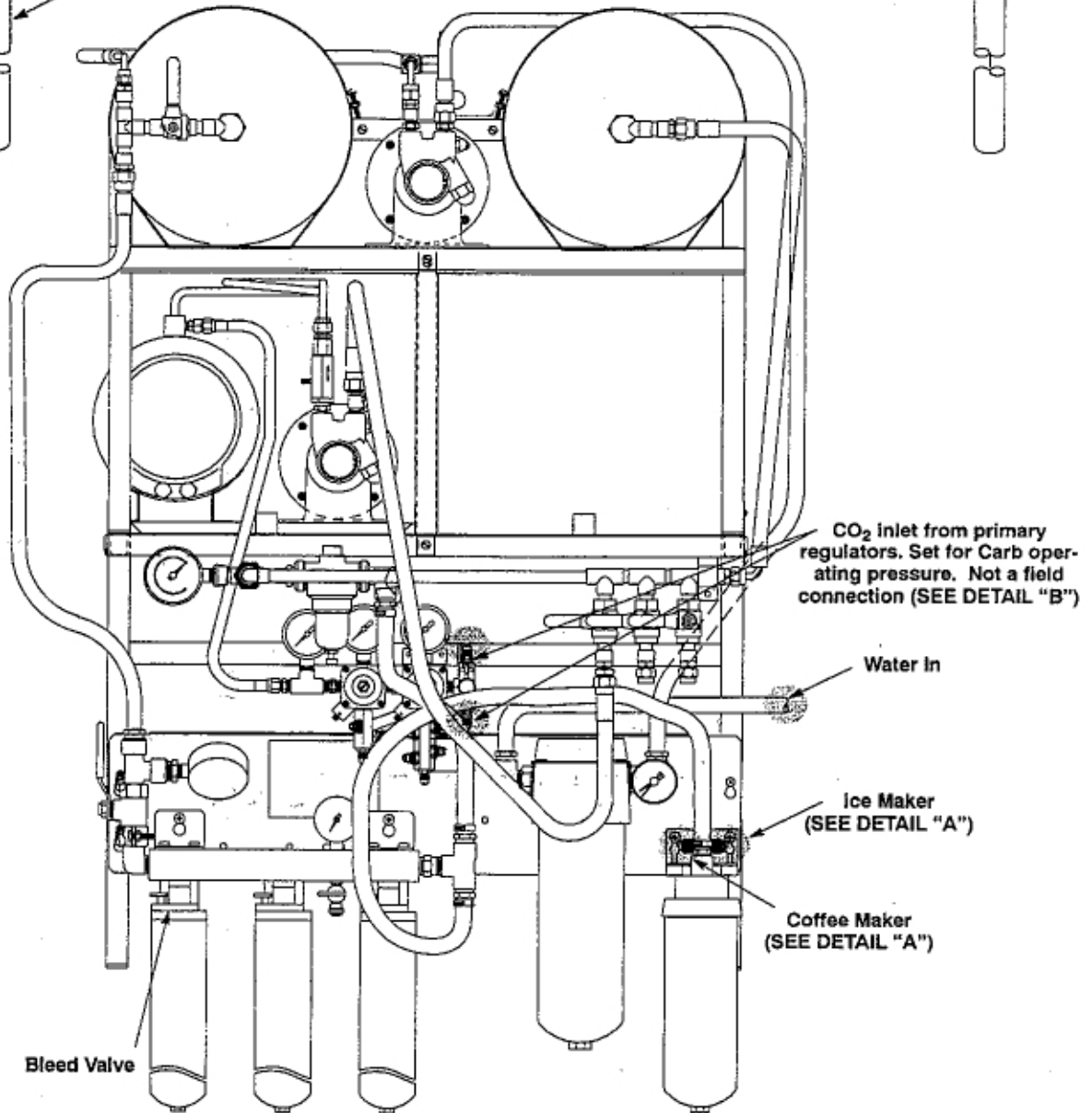
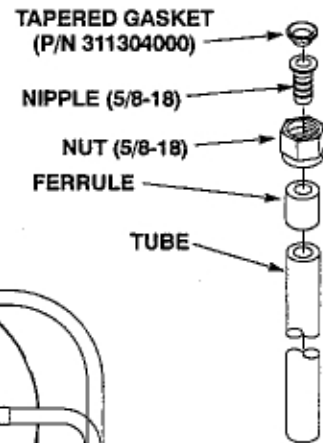



Panel Part Number 8721C

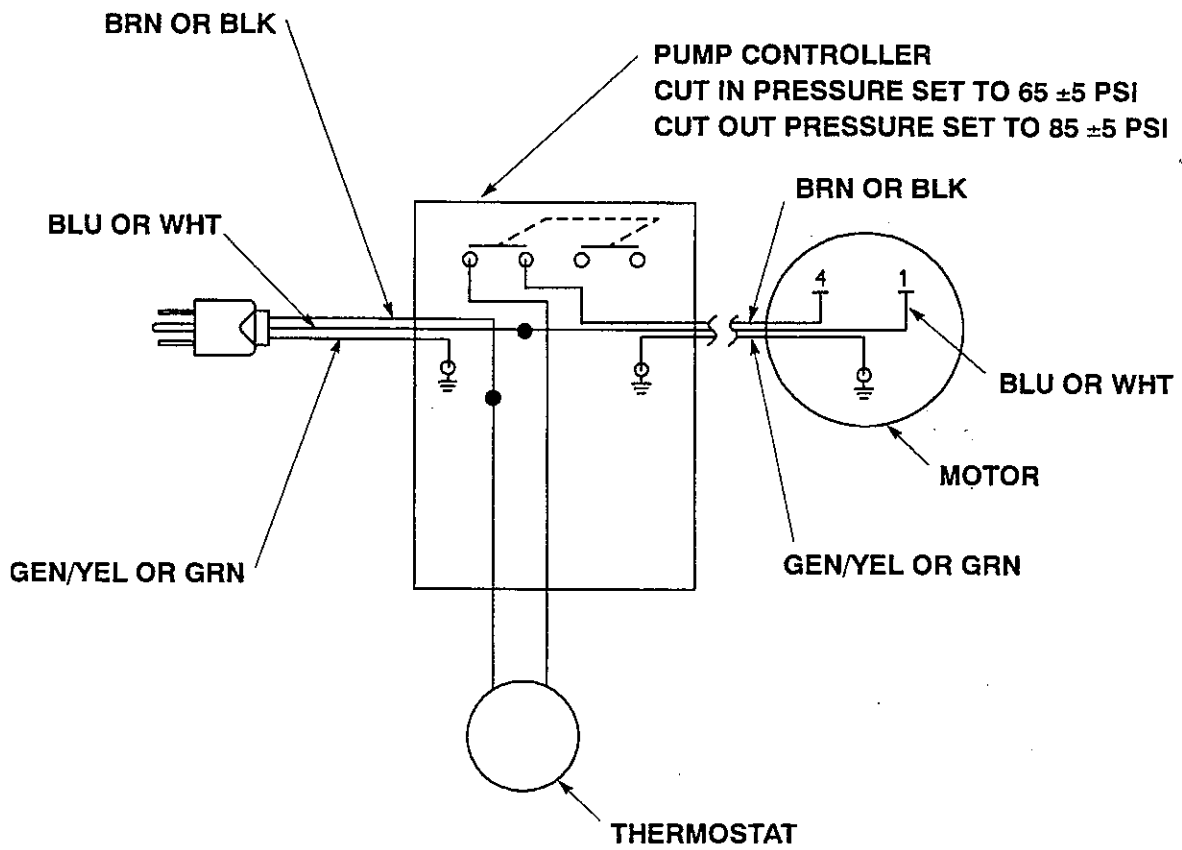
DETAIL "B"



DETAIL "A"



 Indicates Field Connection



WIRING DIAGRAM
WATER BOOSTER PUMP MOTOR



INSTALLATION INSTRUCTIONS

WATER BOOSTER KIT 8855 & 8755

TO THE USERS OF THIS MANUAL

This manual is a guide for installing this equipment. This unit must be installed and serviced by qualified service person. This unit contains no user serviceable parts.

UNIT DESCRIPTION

The water booster is part of back room package and is installed either on top of the existing back room panel or on the wall next to the back room stand. The purpose of the unit is to boost the potable water through the filter system to maintain constant pressure throughout the beverage equipment in a restaurant. The water pump has a liquid check valve on its outlet to prevent the back flow of water. A pressure switch is used to regulate the water pressure throughout the system. A water booster tank is used to store water under pressure. A surge tank is also a storage for filtered water and to absorb water pressure spikes in the system.

UNPACKING

Unpack LOOSE-SHIPPED PARTS. Make sure items are present and in good condition.

Table 1. Loose-Shipped Parts

Item No.	Part No.	Name	Qty.
1	311304000	Tapered Gasket, Black	1
2	8737	Barbed Fitting	2
3	309852000	Clamp, Oetiker# 17.0	4
4	1992	End Cap, Square	2
5	1986	Connector Plastic	2
6	320940000	Screw #10	3
7	8865	Bracket, Front	1
8	8861	Installation Sheet	1
9	560001440	Bracket, Wall Mount	2
10	8987	Wood Screw	6

IDENTIFICATION OF LOOSE SHIPPED PARTS

1. Tapered Gasket, Black (item 1) used to seal connection when connecting line from surge tank to manifold on the back room panel.
2. Barbed Fitting (item 2) used to replace the flare fittings on connections B and C of back room panel filters so that the 3/8" line can be inserted into the barbed fittings.

3. Oetiker Clamps (item 3) used to clamp the tubing onto barbed fittings on connections B and C.
4. Square end cap (item 4) used to seal the bottom of the frame if the unit is installed on the wall. Used for back room stand applications only.
5. Connector plastic (item 5) used to connect the unit onto the back room panel frame if the unit is installed onto the back room panel frame.
6. Screw #10 (item 6) used to attach front bracket (item 7) and the uprights of the unit onto the back room panel on both sides.
7. Front bracket (item 7) used to support the front part of the unit onto the back room panel.
8. Wall mount bracket (item 9) used to hang the unit on the wall, on back room stand applications only.
9. Wood screw (item 10) used to fasten the brackets (item 9) on the wall.

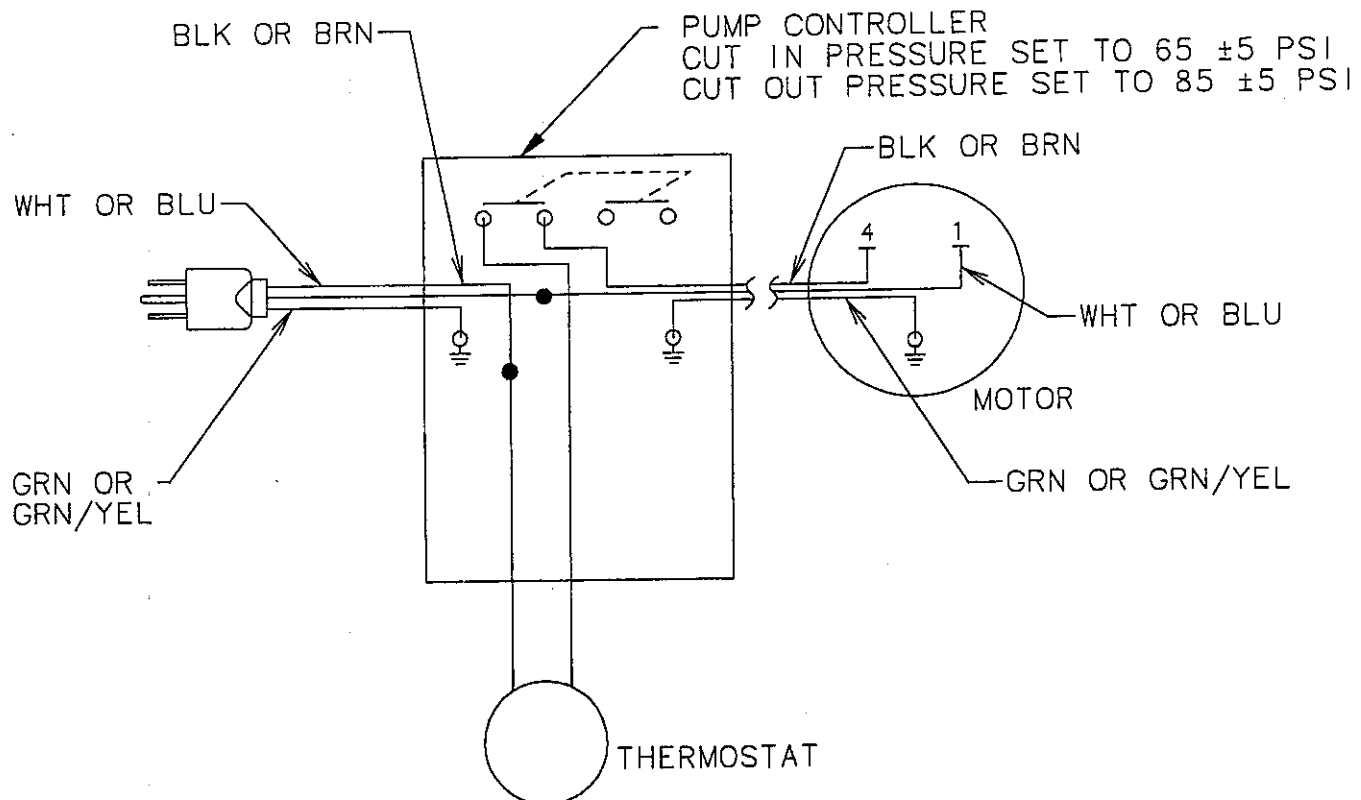
SELECTING LOCATION



CAUTION: This unit must not be installed or used outdoors where it will be exposed to the elements.

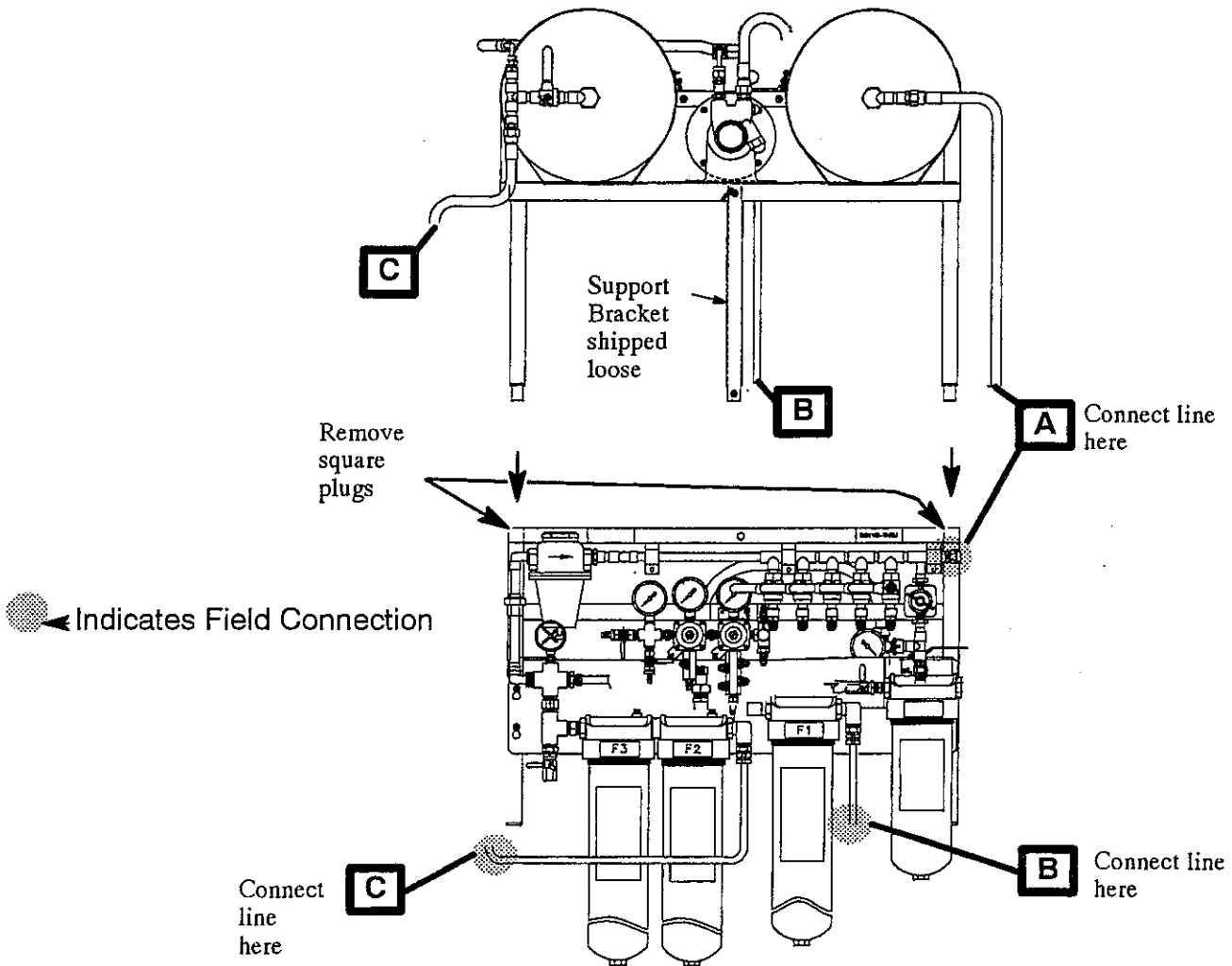
Locate the unit on the back room panel or on a wall along stand close to properly grounded electrical outlet with proper electrical requirements fused at 15-amps (slow-blow). For accessibility, the electrical outlet must not be located behind the unit.

Locate the unit close to the back room stand so that the water pressure will not be affected by pressure drop through the line. Water lines from back room panel or stand should be 3/8" I.D. (minimum), food-grade plastic.



WIRING DIAGRAM

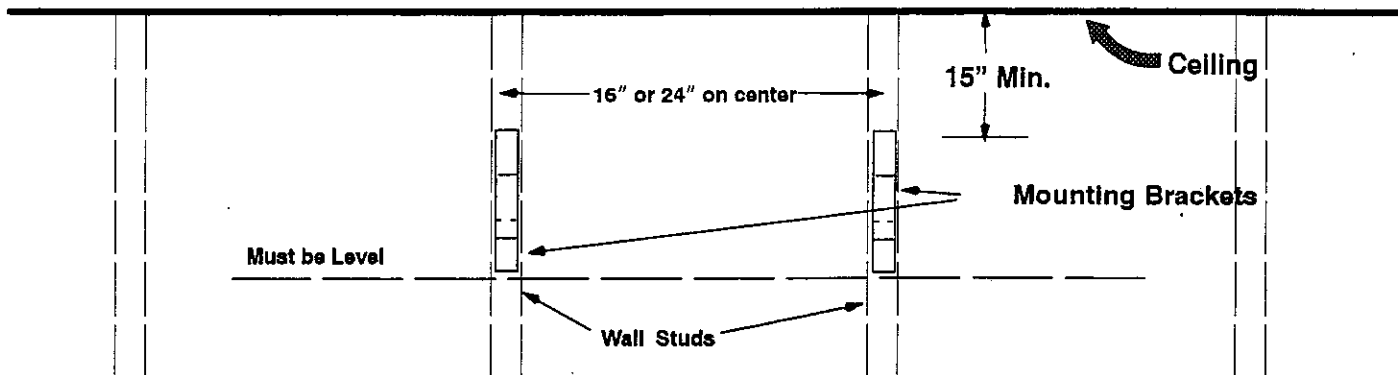
**Two methods of installation:
A: On Back Room Panel**



B: On Wall

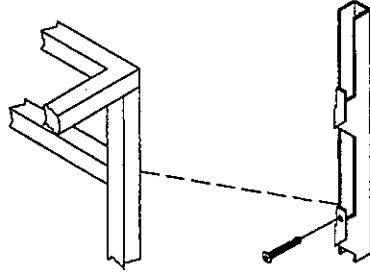
1.) Mounting Water Booster Brackets

The panel attaches to the wall with the two brackets (item 9) supplied. The bracket must be attached to wall studs with the 3" dry wall screws (item 10) provided. The width of the panel will accommodate wall stud spacing of 16 or 24 inches on center.

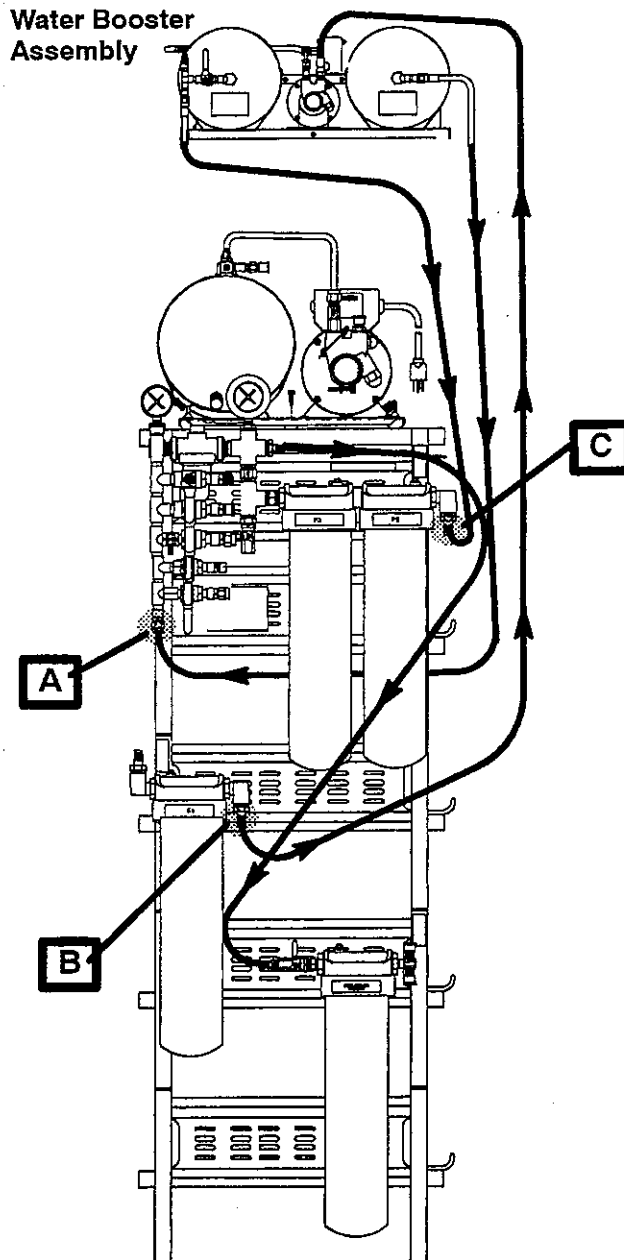


2.) Water Pressure Booster Placement

After brackets are mounted on the wall as shown, the shelf can be lifted into place. Lifting of the shelf will require 2 persons.



After the panel is in place drill a hole into the frame using the hole in the bracket as a guide. Secure shelf to the brackets. Only one screw is needed. Connect all lines as indicated in the Connection Diagram. Use a gasket (item 1) on connection A and 4 clamps (item 3) on Connections B and C. Discard front bracket (item 7) as it is not needed. Insert end cap (item 4) onto the bottom of the uprights.



UNIT OPERATION



WARNING: The unit must be electrically grounded to avoid possible fatal electrical shock or serious injury to the operator. The unit power cord is equipped with a three prong plug. If a three hole (grounded) electrical outlet is not available, use an approved method to ground the unit.

1. Connect the electrical power to the unit. The water pump will start and fill the tanks and filter system with filtered water. The water pump will stop when the pressure is satisfied.
2. Check for water leaks and tighten any loose connections.

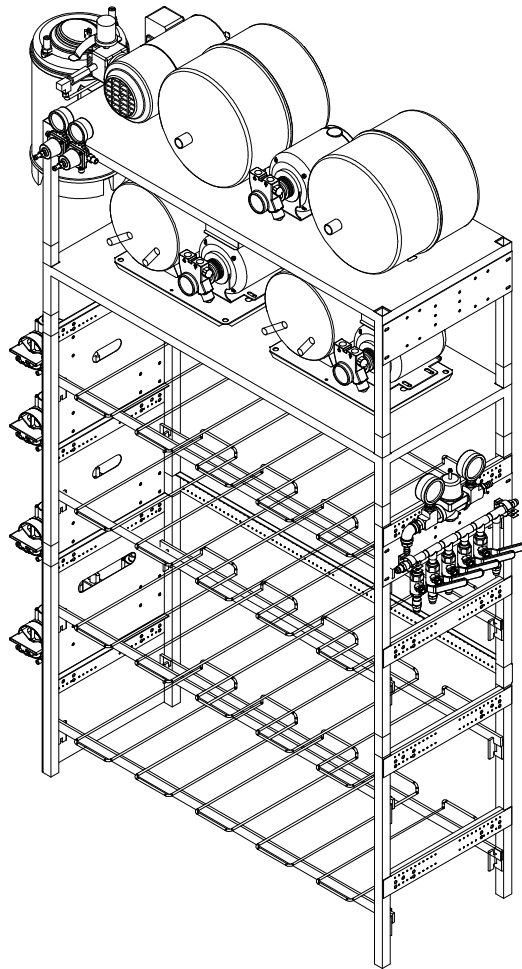


ILLUSTRATED PARTS LIST

BEVERAGE SUPPORT PANEL ASSEMBLY

MODEL NO.

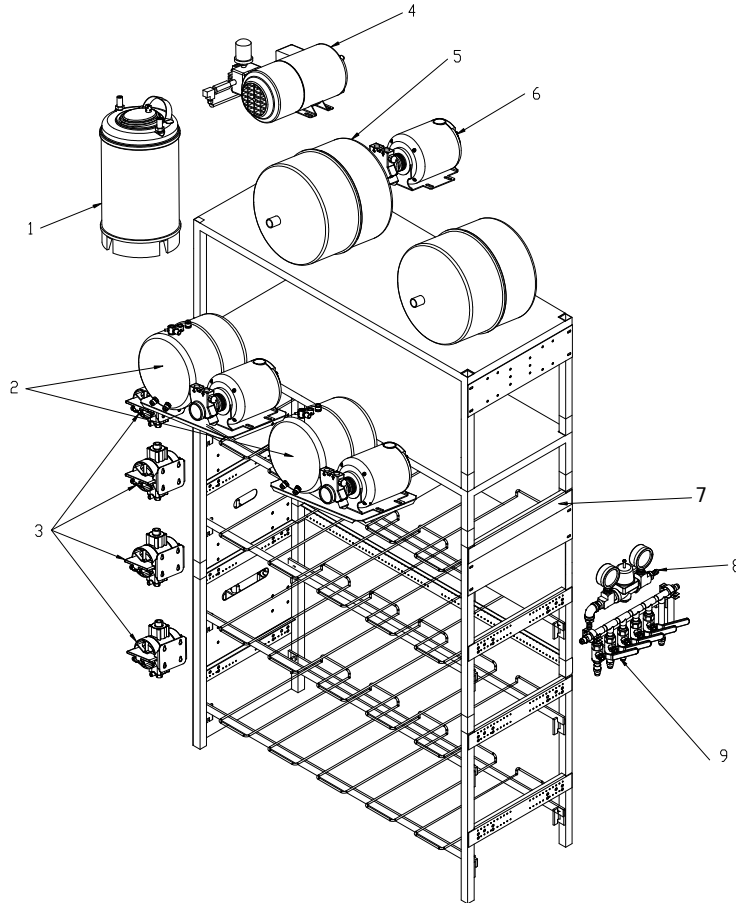
891249903





ILLUSTRATED PARTS LIST

BEVERAGE SUPPORT PANEL ASSEMBLY



Item No.	Part No.	Name
	891249903	220/50Hz, panel, two carbonators, water booster, air compressor
1	280401030	Air tank
2	496424040U	Large Reserve Carbonator
3	94-350-08	pump
	94-360-57	pump L fitting
4	0157	Air compressor, 1/4Hp, 220/50

Item No.	Part No.	Name
5	300874000	Tank
6	320626000 312996000	Motor 1/4Hp, 220/50 Water pump
7	86409100L 86401100L 86406101L 86406102L 85992002L 85992003L	shelf weldment panel side frame weldment panel rear spacer weldment support front spacer panel frame upper panel frame upper
8	283046111	CO2 regulator
9	8938A	water manifold

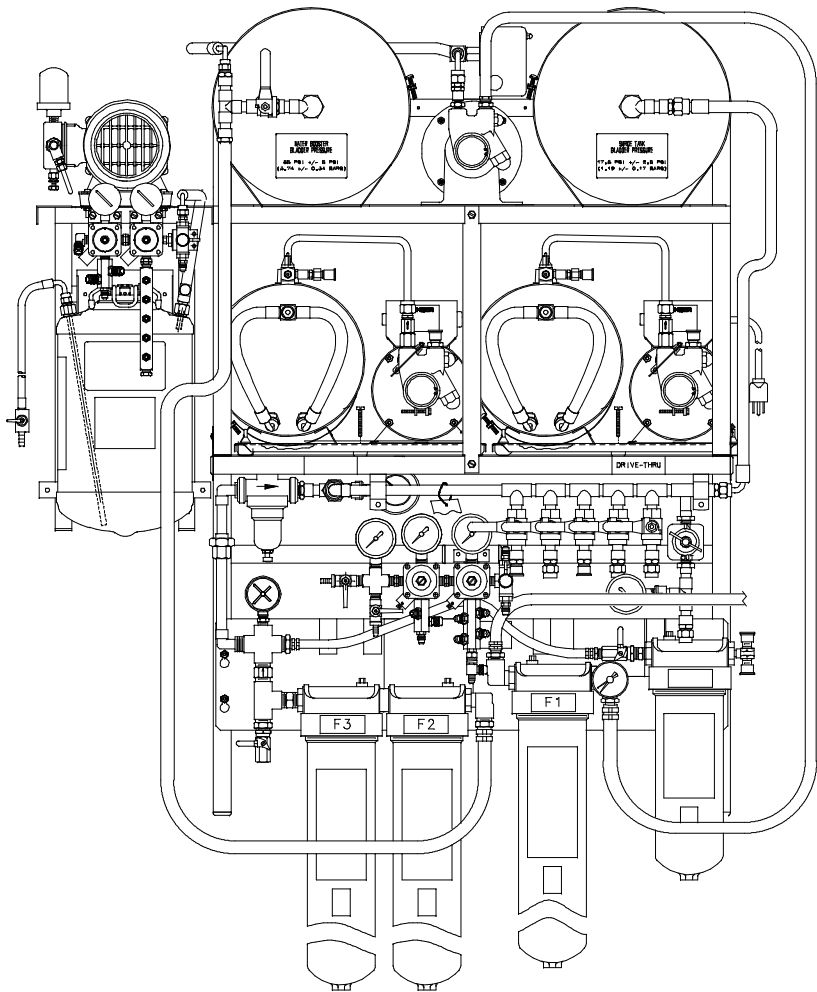


ILLUSTRATED PARTS LIST

BEVERAGE SUPPORT PANEL ASSEMBLY

MODEL NO.

8721C	8721E
8722C	8722E
8724C	8724E
8725C	8725E
8738C	8738E
8739C	8739E
8740B	8740C
8740E	8741C
8741E	8746C
8746E	8771C
8771E	8781C
8781E	8781N
8782C	8782E
8881C	8881E
8881N	8882B
8882C	8882E
8882N	8921C
8921E	8981C
8981E	
561300011C	
561300012E	
561300013C	
561300014E	





ILLUSTRATED PARTS LIST

BEVERAGE SUPPORT PANEL ASSEMBLY

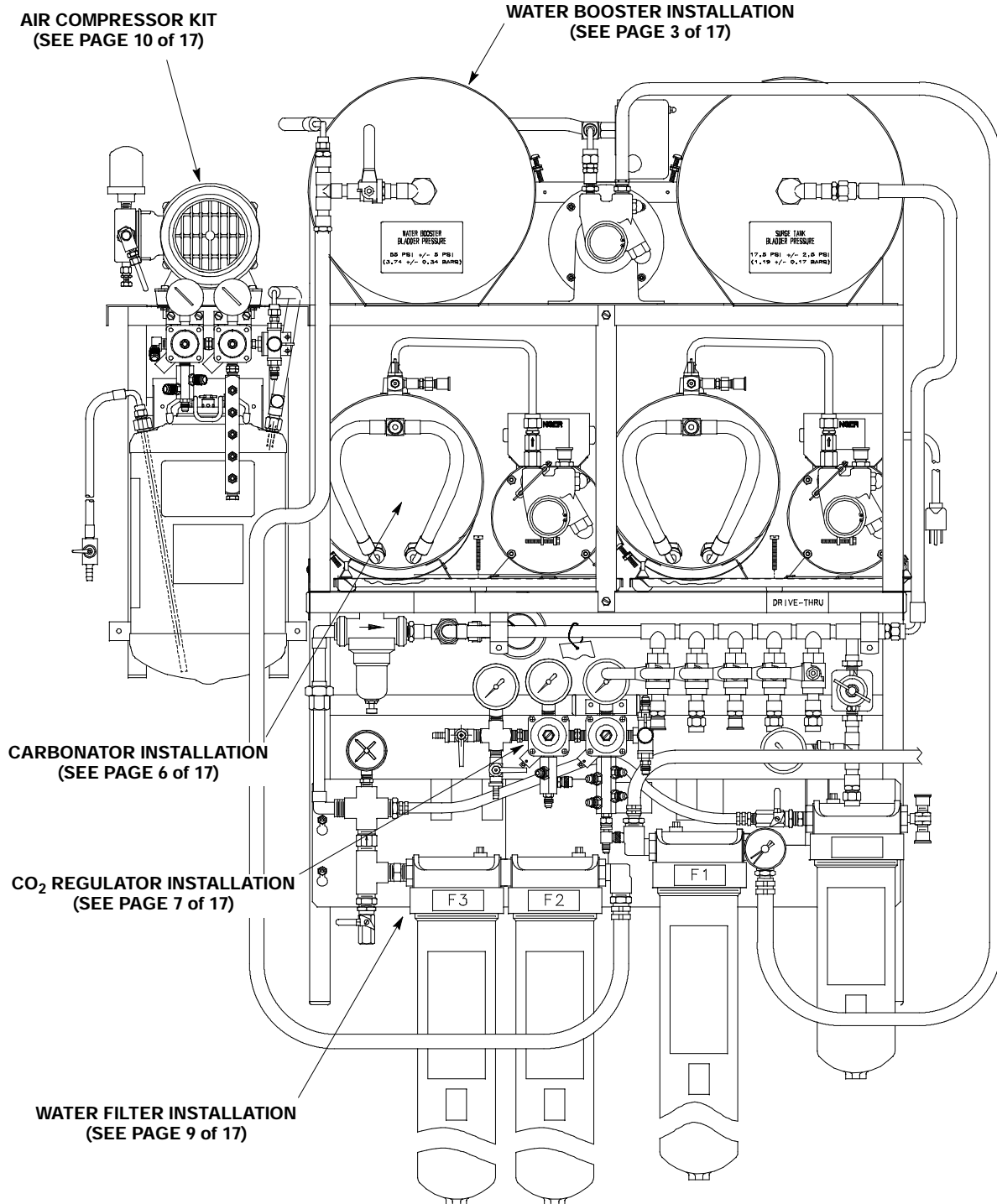


FIGURE 1. BEVERAGE SUPPORT PANEL ASSEMBLY (GENERAL ASS'Y)



ILLUSTRATED PARTS LIST

BEVERAGE SUPPORT PANEL ASSEMBLY

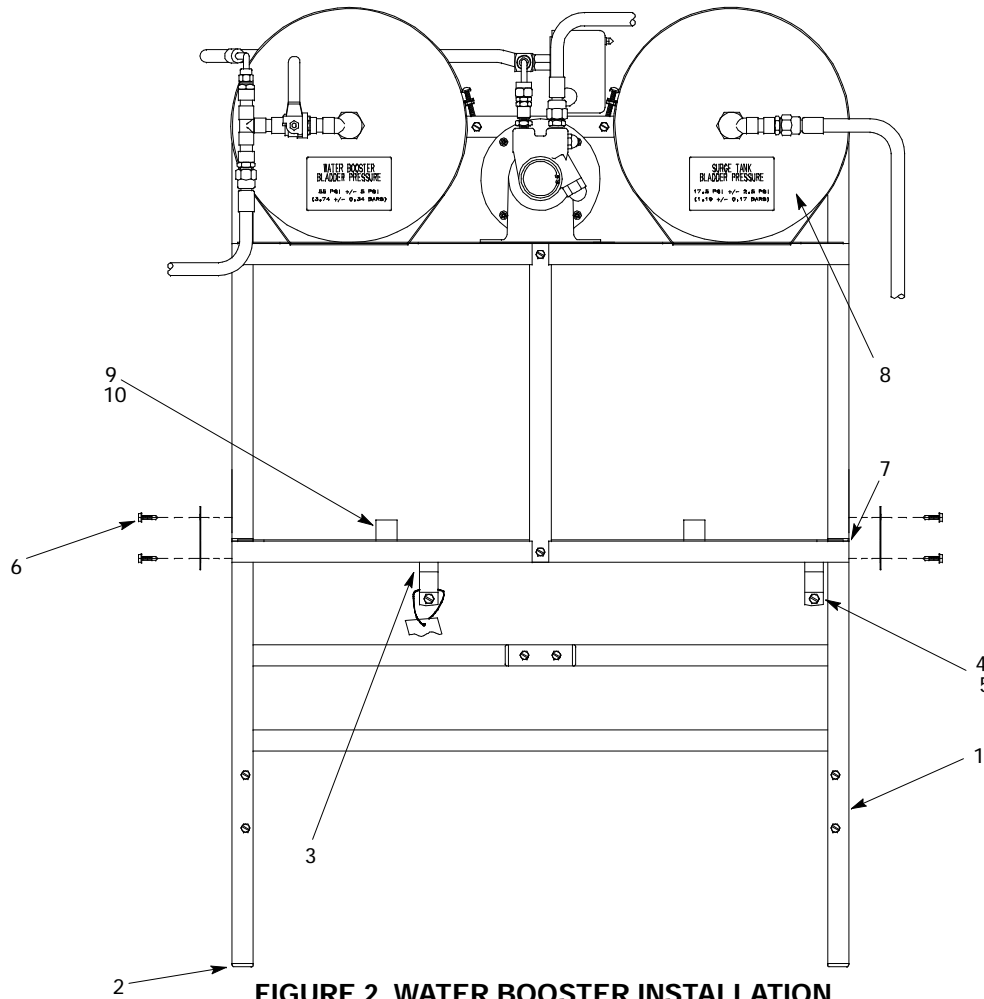


FIGURE 2. WATER BOOSTER INSTALLATION

Item No.	Part No.	Name
	8700	Water Booster Group (Includes 1-5)
1	8968	Frame
2	1992	End Cap
3	318556000	Hanger
4	165294000	Machine Screw, Hex Hd., 1/4-20 By 1-In. Long
5	189429000	Hex Nut, 1/4-20
6	320940000	Self-Drilling Screw, Hex Washer Hd, No. 10-16 By 5/8-In. Long

Item No.	Part No.	Name
7	1986	Connector, Stack
8	8855	Water Booster and Surge Tank Ass'y, 115V 60HZ (See Figure 3)
	8755	Water Booster and Surge Tank Ass'y, 220/240V 50/60HZ (See Figure 3)
9	8934	Bracket, Panel (Panels Domestic with 0 Carb Ass'y)
10	321811000	Hex Nut, No. 10-24 (Panels Domestic with 0 Carb Ass'y)



ILLUSTRATED PARTS LIST

BEVERAGE SUPPORT PANEL ASSEMBLY

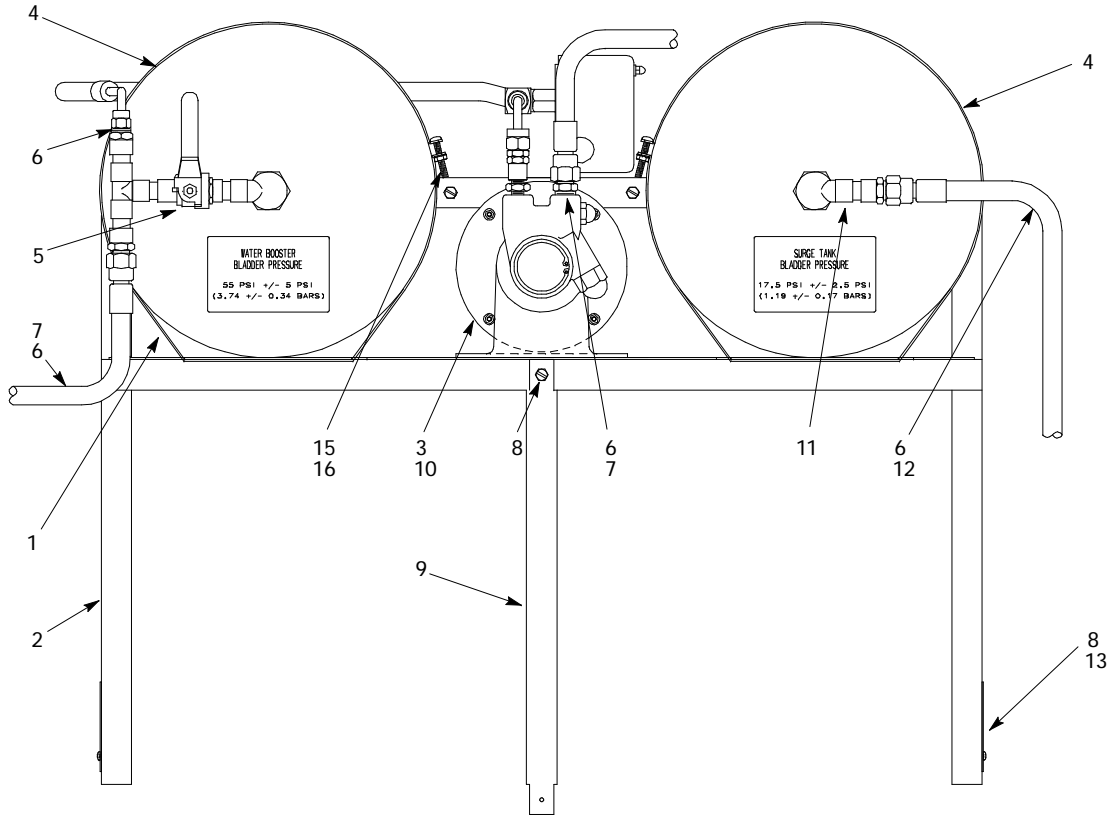


FIGURE 3. WATER BOOSTER AND SURGE TANK ASSEMBLY

Item No.	Part No.	Name
	8855	Water Booster and Surge Tank Ass'y, 115V 60HZ
	8755	Water Booster and Surge Tank Ass'y, 220/240V 50/60HZ
1	560001411	Strap, Water Tank
2	8829	Shelf
3	4920	Pump and Motor Ass'y, 115V 60HZ (See Figure 4)
	4921	Pump and Motor Ass'y, 220/240V 50/60HZ (See Figure 4)
4	300894000	Tank, Surge
5	0200	Inlet, Tank
6	311304000	Tapered Gasket, Black
7	4756	Tube Ass'y, .375 I.D. By 75-In. Long (See Figure 15)

Item No.	Part No.	Name
8	320940000	Self-Drilling Screw, Hex Washer Hd., No. 10-16 By 5/8-In. Long
9	8865	Bracket, Shelf
10	186394000	Machine Screw, 1/4-20 By 5/8-In. Long
11	0590	Inlet Ass'y, Tank
12	0508	Tube Ass'y, .375 I.D. By 36-In. Long (See Figure 16)
13	318215000	Tab Lock
14	560001440	Hanger, Frame (Not Shown)
15	2072	Thread Rolling Screw, Phil Pan Hd., No. 10-32 By 1 1/4-In. Long
16	321811000	Hex Nut, No. 10-32



ILLUSTRATED PARTS LIST

BEVERAGE SUPPORT PANEL ASSEMBLY

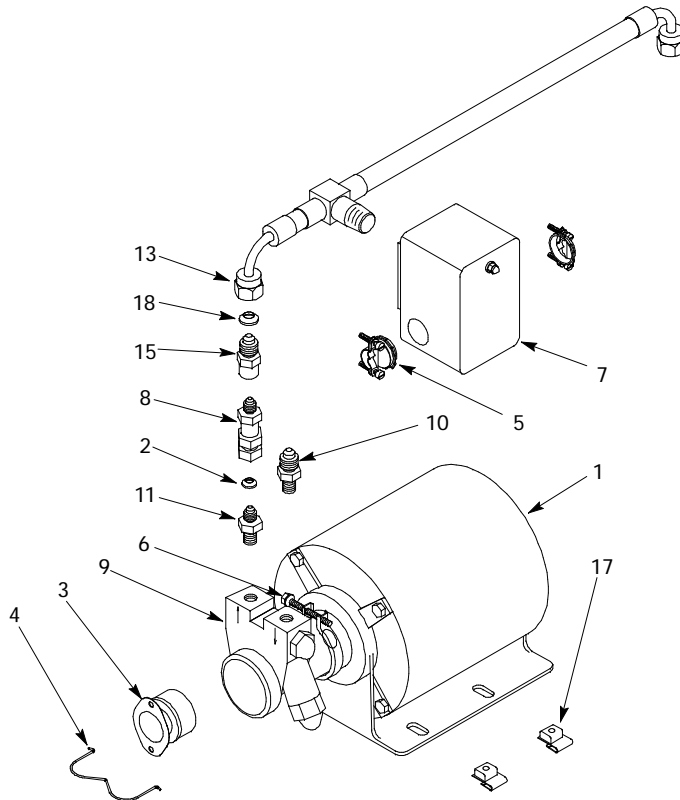


FIGURE 4. PUMP AND MOTOR ASSEMBLY

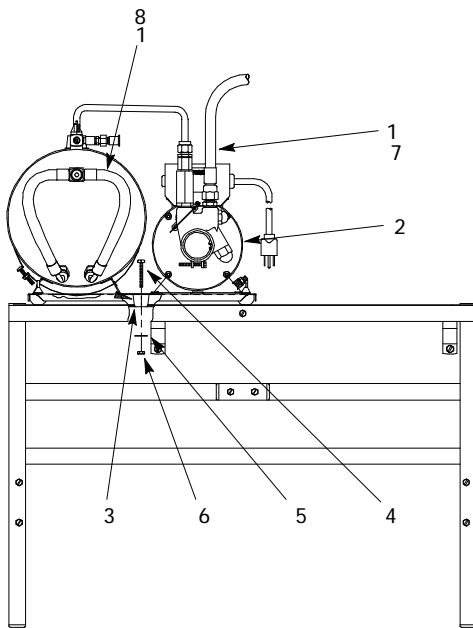
Item No.	Part No.	Name
	4920	Pump and Motor Ass'y, 115V 60HZ
	4921	Pump and Motor Ass'y, 220/240V 50/60HZ
1	315183000	Motor, 115V 60HZ
	320626000	Motor, 240V 60HZ
2	178025100	Tapered Gasket, White
3	0629	Thermostat
4	318039000	Clip, Thermostat
5	189773000	Clamp, Cord
6	187483000	Clamp, Pump to Motor
7	2211	Switch, Pressure
8	311764001	Check Valve Ass'y (See Figure 14)
9	312996000	Pump, Water, 90 GPH

Item No.	Part No.	Name
10	111337000	Fitting, 3/8-MPT By 5/8-18
11	311437000	Fitting, 3/8-MPT By 7/16-20
12	0877	Service Cord, 115V (Not Shown)
	560001469	Service Cord, 240V (Not Shown)
13	8736	Tube Ass'y, Tee, Pump to Booster Tank (See Figure 17)
14	0630	Service Cord (Not Shown)
15	77071602	Fitting, 7/16-20 By 5/8-18
16	188386000	Machine Screw, SI Pan Hd., No. 10-32 By 1/2-in. Long (Not Shown)
17	311855000	J-Nut, 1/4-20
18	311304000	Tapered Gasket, Black

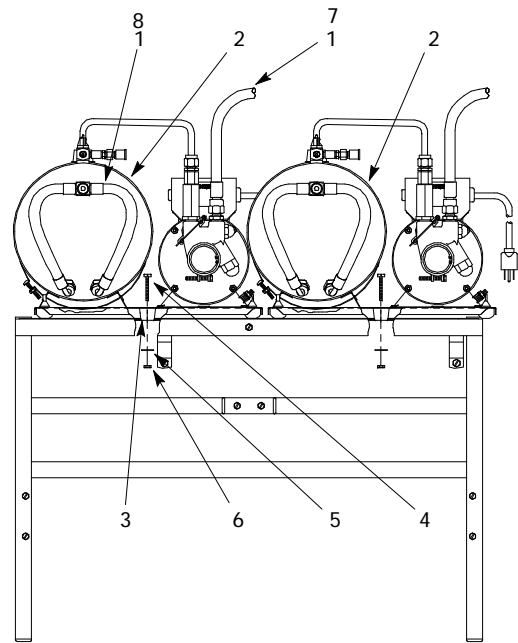


ILLUSTRATED PARTS LIST

BEVERAGE SUPPORT PANEL ASSEMBLY



**CARBONATOR INSTALLATION
(1 CARB UNIT ONLY)**



**CARBONATOR INSTALLATION
(2 CARB UNIT ONLY)**

FIGURE 5. CARBONATOR INSTALLATION

Item No.	Part No.	Name
	8711	Carbonator Group, 115V 60HZ
	8712	Carbonator Group, 220V 50HZ
1	311304000	Tapered Gasket, Black
2	416424000	Carbonator Ass'y, 115V 60HZ (See Manual No. 319798-003)
	496424040	Carbonator Ass'y, 230V 50HZ (See Manual No. 319798-003)

Item No.	Part No.	Name
3	188950000	Foot
4	041602000	Machine Screw, SI Fil Hd., No. 10-24 By 1 1/2-In. Long
5	1300	Washer, .229 I.D.
6	398024603	Hex Nut, No. 10-24
7	8967	Tube Ass'y, Water Inlet (See Figure 18)
8	560003084	Tube Ass'y, Carbonator Outlet (See Figure 17)



ILLUSTRATED PARTS LIST

BEVERAGE SUPPORT PANEL ASSEMBLY

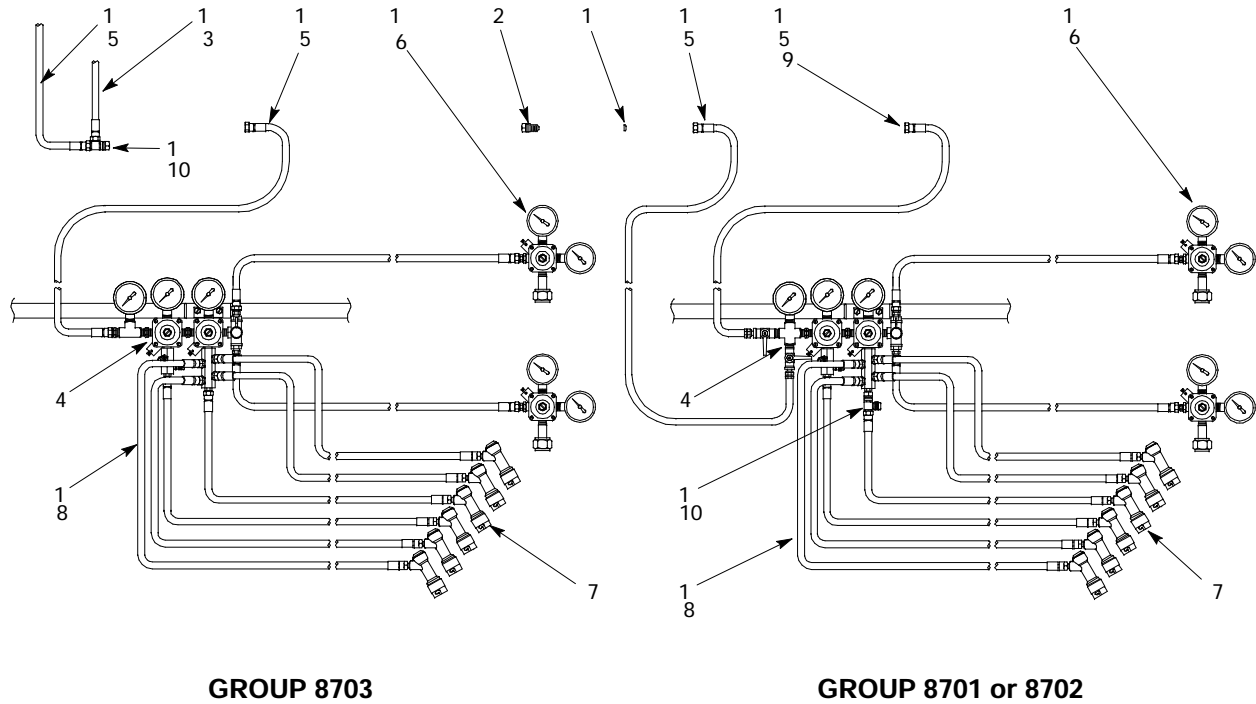


FIGURE 6. CO₂ REGULATOR INSTALLATION

Item No.	Part No.	Name
	8701	CO ₂ Regulator Group
	8702	CO ₂ Regulator Group
	8703	CO ₂ Regulator Group
1	178025100	Tapered Gasket, White
2	77070901	Fitting, Plug, 7/16-20
3	174041136	Tube Ass'y, .265 I.D. By 36-In. Long (See Figure 18)
4	8937	CO ₂ Regulator Ass'y, Secondary (See Figure 7)
	8814	CO ₂ Regulator Ass'y, Secondary (See Figure 7)

Item No.	Part No.	Name
5	2371	Tube Ass'y, .265 I.D. By 36-In. Long (See Figure 19)
	174041148	Tube Ass'y, .265 I.D. By 48-In. Long (See Figure 18)
6	283186111	CO ₂ Regulator Ass'y, Primary (See Manual No. 183261-003)
7	274211500	Quick Disconnect Ass'y, Gas (See Manual No. 316703-004)
8	318049000	Tube Ass'y, .265 I.D. By 72-In. Long (See Figure 18)
9	312926000	Clamp
10	77068700	Fitting, Tee, 7/16-20



ILLUSTRATED PARTS LIST

BEVERAGE SUPPORT PANEL ASSEMBLY

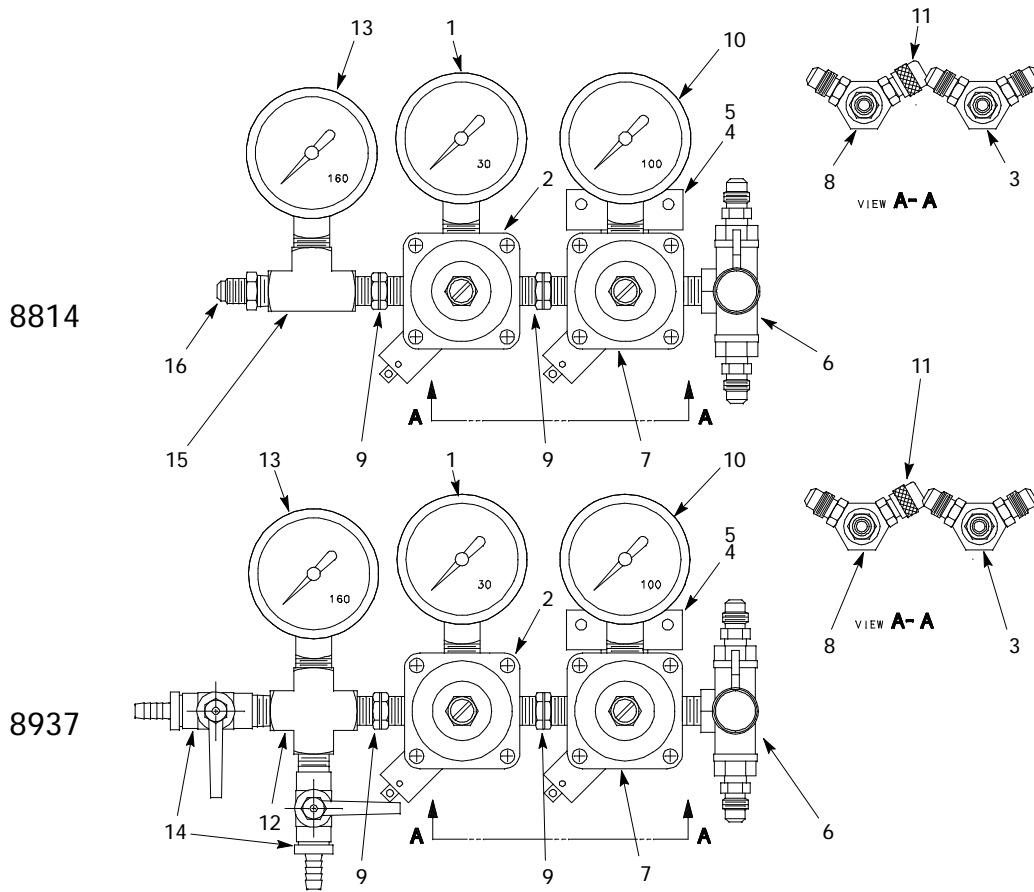


FIGURE 7. SECONDARY CO₂ REGULATOR ASSEMBLY

Item No.	Part No.	Name
	8937	CO ₂ Regulator Ass'y, Secondary
	8814	CO ₂ Regulator Ass'y, Secondary
1	183288000	Gauge, 30-PSI
2	183446000	CO ₂ Regulator Ass'y, Secondary, 30-PSI (See Manual No. 183261-003)
3	183304100	Manifold Ass'y, 5-Port (See Manual No. 183261-003)
4	321811000	Hex Nut, No. 10-32
5	183317000	Bracket, Regulator
6	311904000	Changeover Valve
7	183412000	CO ₂ Regulator Ass'y, Secondary, 100-PSI (See Manual No. 183261-003)

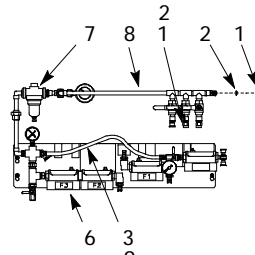
Item No.	Part No.	Name
8	183302100	Manifold Ass'y, 3-Port (See Manual No. 183261-003)
9	183047000	Fitting, 1/4-MPT
10	183286000	Gauge, 100-PSI
11	315499000	Cap, Check Valve
12	183046000	Fitting, Cross, 1/4-FPT
13	183285000	Gauge, 160-PSI
14	111055000	Valve, Shutoff
15	183060000	Fitting, Tee, 1/4-FPT
16	183061000	Fitting, 1/4-MPT By 7/16-20



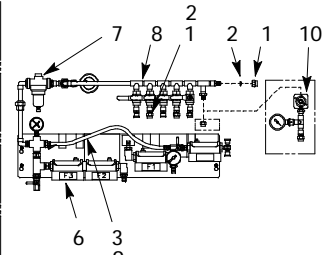
ILLUSTRATED PARTS LIST

BEVERAGE SUPPORT PANEL ASSEMBLY

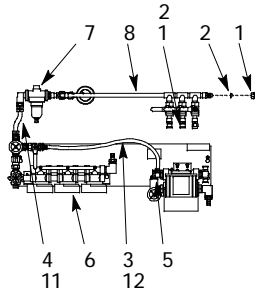
Item No.	Part No.	Name
	8707	Filter Group, Cuno, Low Volume
	8705	Filter Group, Cuno, Restaurant
	8708	Filter Group, Cuno, Restaurant
	8709	Filter Group, Everpure, Low Volume
	8706	Filter Group, Everpure, Restaurant
	8710	Filter Group, Everpure, Restaurant
1	77045600	Nut, Cap, 5/8-18
2	311304000	Tapered Gasket, Black
3	309852000	Clamp
4	319681000	Clamp
5	8737	Fitting, 3/8-Barb By 1/2-MPT
6	3756	Filter Module, Cuno (8707)
	3757	Filter Module, Cuno (8708 & 8705)
	0928	Filter Module, Cuno (8705)
	4718	Filter Module, Everpure (8709)
	8773	Filter Module, Everpure (8710 & 8706)
	0504	Filter Module, Everpure (8706)
	1817	Filter Module, with Alarm
7	3755	Water Regulator, Cuno
	8770	Water Regulator, Everpure
8	8813	Water Manifold, Low Volume
	8938	Water Manifold, Restaurant
9	4094	Tube, .375 I.D. By 18-In. Long, Cuno
10	3751	Manifold, Bun Steamer
11	4757	Tube, .500 I.D. By 4-In. Long, Everpure
12	4758	Tube, .375 I.D. By 29-In. Long, Everpure
13	8871	Fitting, 1/2-Barb By 1/2-MPT, with Alarm
14	4773	Tube, .375 I.D. By 26-In. Long, Cuno without Water Booster



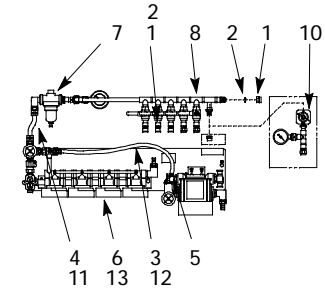
CUNO-LOW VOLUME
MANIFOLD INSTALLATION
GROUP 8707



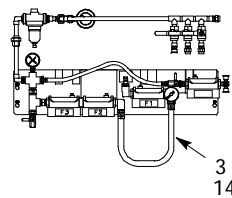
CUNO RESTAURANT
MANIFOLD INSTALLATION
GROUP 8705 OR 8708



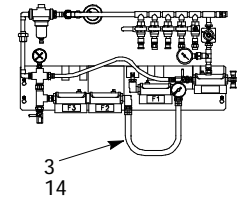
EVERPURE-LOW VOLUME
MANIFOLD INSTALLATION
GROUP 8709



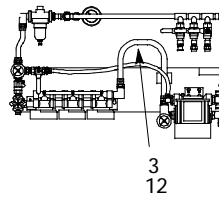
EVERPURE RESTAURANT
MANIFOLD INSTALLATION
GROUP 8706 OR 8710
OR 560003215



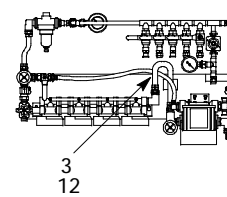
CUNO-LOW VOLUME
(UNITS WITHOUT
WATER BOOSTER)



CUNO RESTAURANT
(UNITS WITHOUT
WATER BOOSTER)



EVERPURE-LOW VOLUME
(UNITS WITHOUT
WATER BOOSTER)



EVERPURE RESTAURANT
(UNITS WITHOUT
WATER BOOSTER)

FIGURE 8. FILTER MANIFOLD INSTALLATION



ILLUSTRATED PARTS LIST

BEVERAGE SUPPORT PANEL ASSEMBLY

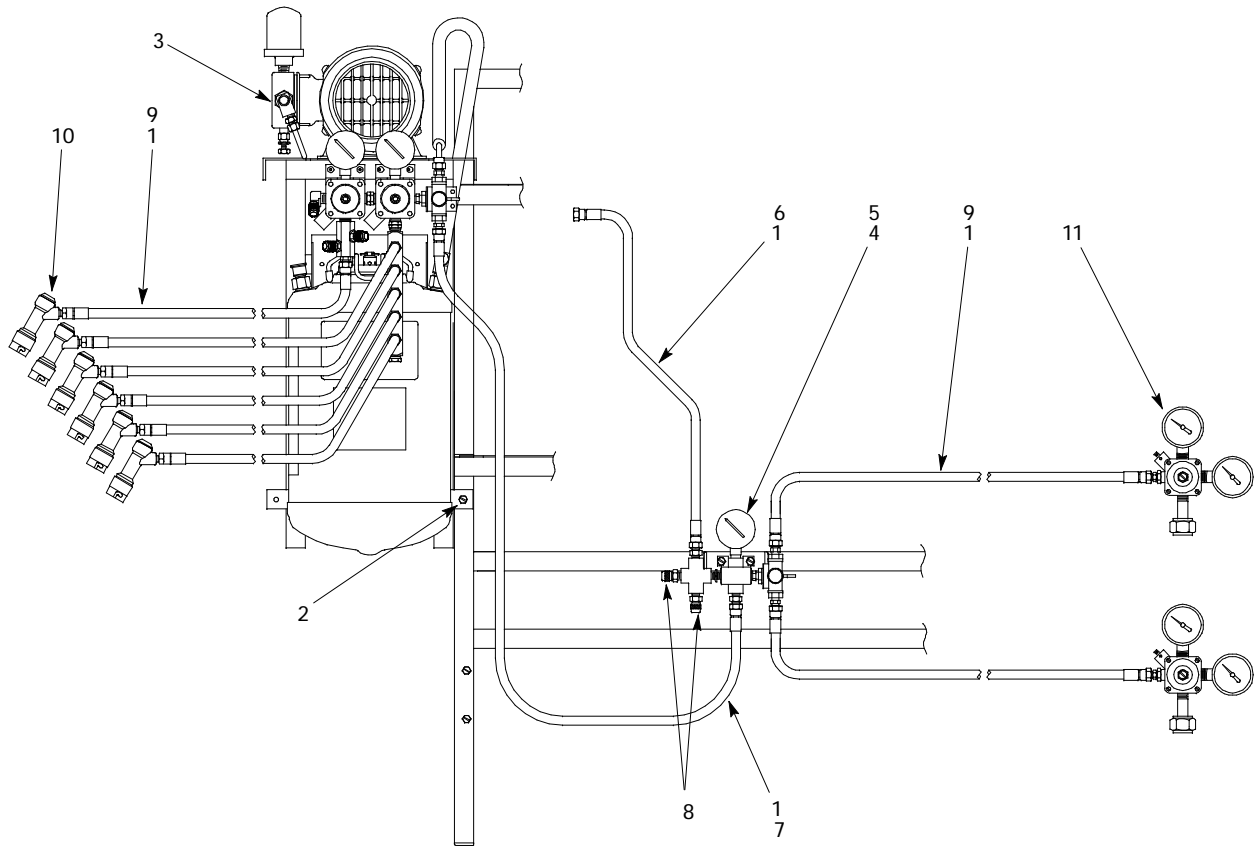


FIGURE 9. AIR COMPRESSOR AND TANK INSTALLATION

Item No.	Part No.	Name
	8713	Air Compressor Group, 115V 60HZ
	8714	Air Compressor Group, 220V 50HZ
1	178025100	Tapered Gasket, White
2	320940000	Self-Drilling Screw, Hex Washer Hd., No. 10-16 By 5/8-In. Long
3	8883	Air Compressor and Tank Kit, 115V 60HZ (See Figure 10)
	8792	Air Compressor and Tank Kit, 220V 50HZ (See Figure 10)
4	8879	CO ₂ Changeover Inlet Ass'y (See Figure 11)
5	8795	Retainer, Inlet Ass'y

Item No.	Part No.	Name
6	174041148	Tube Ass'y, .265 I.D. By 48-In. Long (See Figure 18)
7	174041136	Tube Ass'y, .265 I.D. By 36-In. Long (See Figure 18)
8	315499000	Cap
9	318049000	Tube Ass'y, .265 I.D. By 72-In. Long (See Figure 18)
10	274211500	Quick Disconnect Ass'y, Gas (See Manual No. 316703-004)
11	283186111	CO ₂ Regulator Ass'y, Primary (See Manual No. 183261-003)



ILLUSTRATED PARTS LIST

BEVERAGE SUPPORT PANEL ASSEMBLY

Item No.	Part No.	Name
	8883	Air Compressor and Tank Kit, 115V 60HZ
	8792	Air Compressor and Tank Kit, 220V 50HZ
1	8798	Air Tank Reservoir Ass'y (See Figure 13)
2	111418011	Air Compressor, 1/4HP 115V 60HZ
	0517	Air Compressor, 1/4HP 230V 50/60HZ
3	183068000	Fitting, Elbow, 1/4-NPT
4	8797	Frame
5	560000942	Tube Ass'y, .265 I.D. By 12-In. Long (See Figure 20)
6	8880	Regulator and Changeover Ass'y (See Figure 12)
7	188950000	Foot
8	041620000	Machine Screw, SI Fil Hd., No. 10-24 By 1 1/2-In. Long
9	398024603	Hex Nut, No. 10-24
10	1300	Washer, .229 I.D.
11	320940000	Self-Drilling Screw, Hex Washer Hd., No. 10-16 By 5/8-In. Long
12	1992	End Plug
13	178025100	Tapered Gasket, White
14	0674	Drain Tube Ass'y (See Figure 21)
15	560000937	Bracket, Switch, 220V 50HZ (Not Shown)

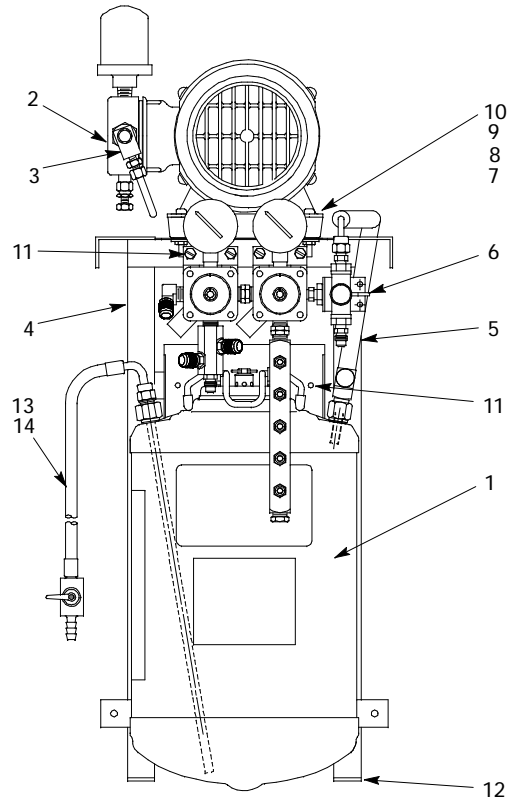


FIGURE 10. AIR COMPRESSOR AND TANK KIT

Item No.	Part No.	Name
	8879	CO ₂ Changeover Inlet Ass'y
1	183046000	Fitting, Cross, 1/4-FPT
2	183047000	Fitting, 1/4-MPT
3	183061000	Fitting, 1/4-MPT
4	183285000	Gauge, 160-PSI
5	311904000	Changeover Valve

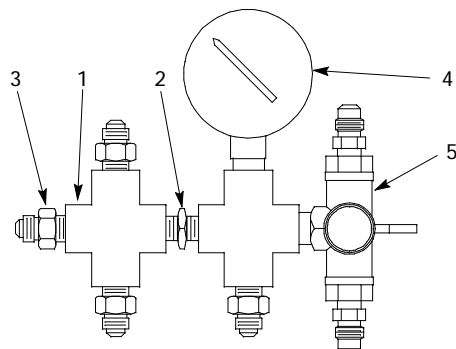


FIGURE 11. CO₂ CHANGEOVER INLET ASSEMBLY



ILLUSTRATED PARTS LIST

BEVERAGE SUPPORT PANEL ASSEMBLY

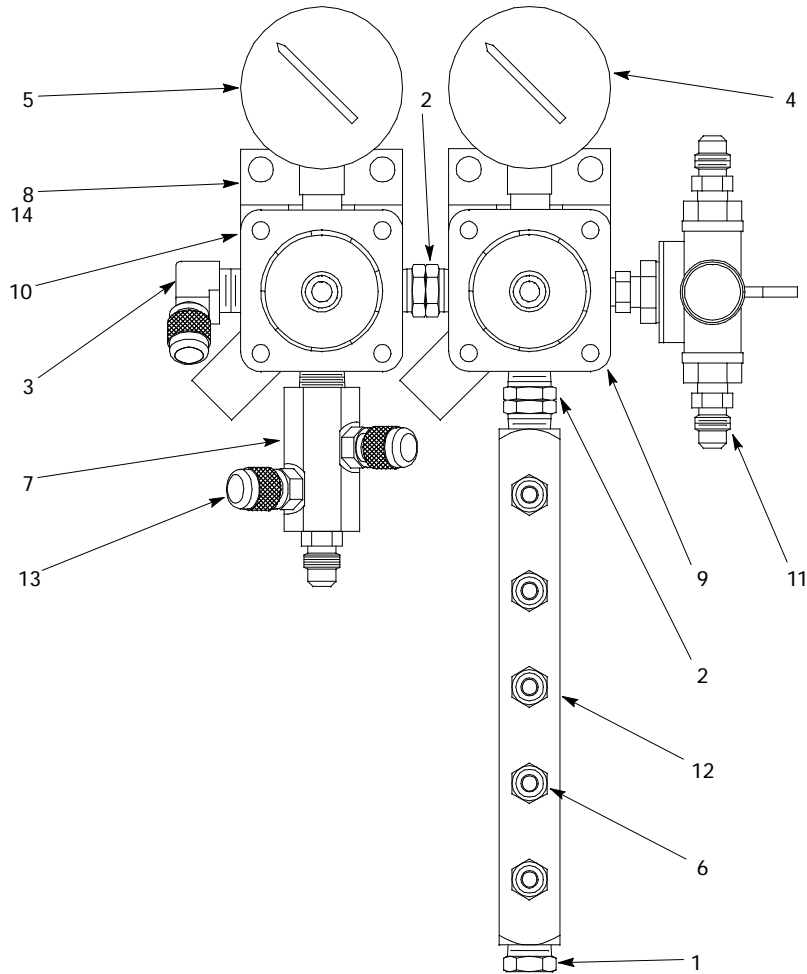


FIGURE 12. REGULATOR AND CHANGEOVER ASSEMBLY

Item No.	Part No.	Name
	8880	Regulator and Changeover Ass'y
1	130066000	Fitting, Plug, 1/4-MPT
2	183047000	Fitting, 1/4-MPT
3	187485000	Fitting, Elbow, 1/4-MPT By 7/16-20
4	183286000	Gauge, 100-PSI
5	183288000	Gauge, 30-PSI
6	183301100	Check Valve Ass'y (See Manual No. 183261-003)
7	183302100	Manifold Ass'y (See Manual No. 183261-003)

Item No.	Part No.	Name
8	183317000	Bracket, Regulator
9	183412000	CO ₂ Regulator Ass'y, 100-PSI (See Manual No. 183261-003)
10	183446000	CO ₂ Regulator Ass'y, 30-PSI (See Manual No. 183261-003)
11	311904000	Changeover Valve
12	314886000	Manifold Ass'y
13	315499000	Cap
14	321811000	Hex Nut, No. 10-32



ILLUSTRATED PARTS LIST

BEVERAGE SUPPORT PANEL ASSEMBLY

Item No.	Part No.	Name
	8798	Air Tank Reservoir Ass'y
1	8799	Tank
2	180777000	Cover, Tank
3	180363000	O-Ring, .299 I.D. By .103 C.S.
4	313262001	Fitting, 5/8-18
5	181059000	Connector
6	180426000	Tube, Gas
7	111369000	Bracket, Tank
8	180349000	Machine Screw, Phil Truss Hd., 1/4-20 By 3/8-In. Long
9	183060000	Fitting, Tee, 1/4-FPT
10	183061000	Fitting, 1/4-MPT By 7/16-20
11	180612000	Tube, Syphon

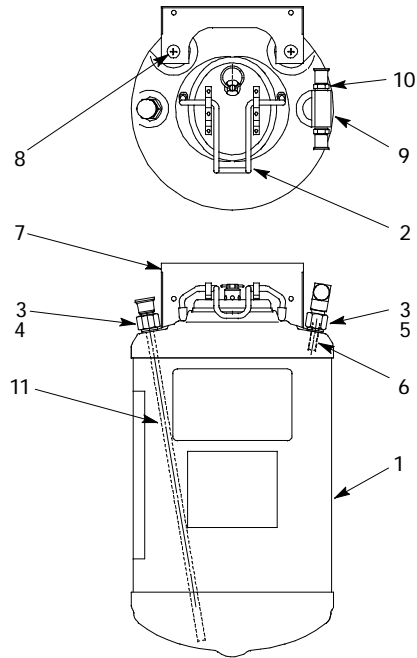


FIGURE 13. AIR TANK RESEVOIR ASSEMBLY

Item No.	Part No.	Name
	311764001	Single Check Valve Ass'y
1	317965000	Retainer
2	312196000	Spring
3	312419000	Ball
4	312415000	Washer, .300 I.D.
5	312418000	Quad Ring, .329 I.D.
6	317963000	Receptacle

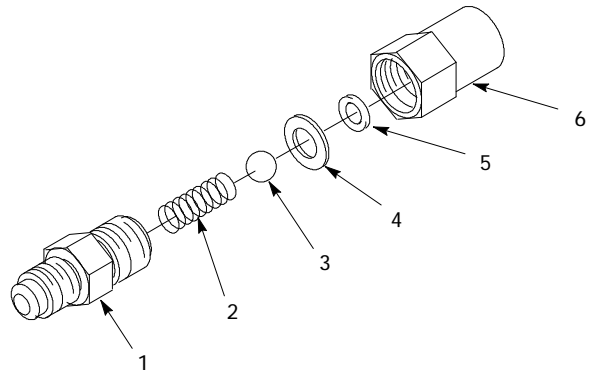


FIGURE 14. DOUBLE CHECK VALVE ASSEMBLY



ILLUSTRATED PARTS LIST

BEVERAGE SUPPORT PANEL ASSEMBLY

Item No.	Part No.	Name
	4756	Tube Ass'y, Water Booster
1	174292000	Tube, .375 I.D. By 75-In. Long
2	176204000	Ferrule, For .610 O.D. Tube
3	176205000	Nipple, For .375 I.D. Tube
4	311242000	Swivel Nut, 5/8-18

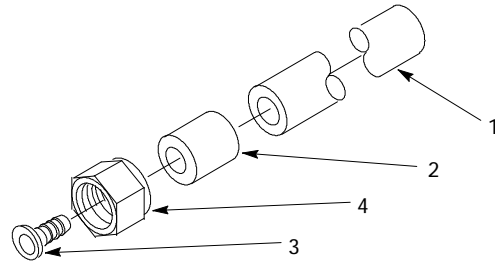


FIGURE 15. WATER BOOSTER TUBE ASSEMBLY

Item No.	Part No.	Name
	0508	Tube Ass'y, Surge Tank
1	174292000	Tube, .375 I.D. By 36-In. Long
2	176204000	Ferrule, For .610 O.D. Tube
3	176205000	Nipple, For .375 I.D. Tube
4	311242000	Swivel Nut, 5/8-18
5	77040900	Fitting, Elbow, Swivel, 5/8-18 By 3/8-Barb

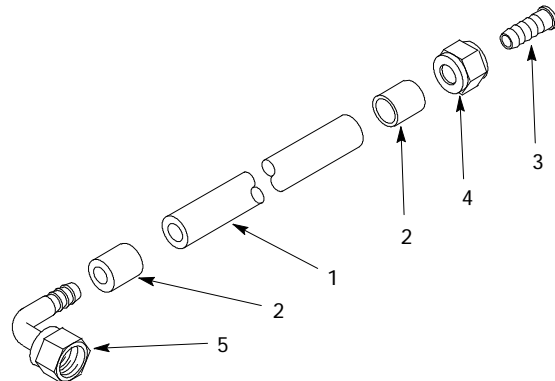


FIGURE 16. SURGE TANK TUBE ASSEMBLY

Item No.	Part No.	Name
	8736	Tube Ass'y, Pump to Booster Tank
	560003084	Tube Ass'y, Carbonator Outlet
1	174292000	Tube, .375 I.D. By 2-In. Long
	174292000	Tube, .375 I.D. By 28-In. Long
	174292000	Tube, .375 I.D. By 12-In. Long
2	176204000	Ferrule, For .610 O.D. Tube
3	77090800	Fitting, Tee, 3/8-Barb By 1/4-MPT
	77069500	Fitting, Tee, 3/8-Barb By 1/4-MPT
4	77040900	Fitting, Elbow, Swivel, 5/8-18 By 3/8-Barb

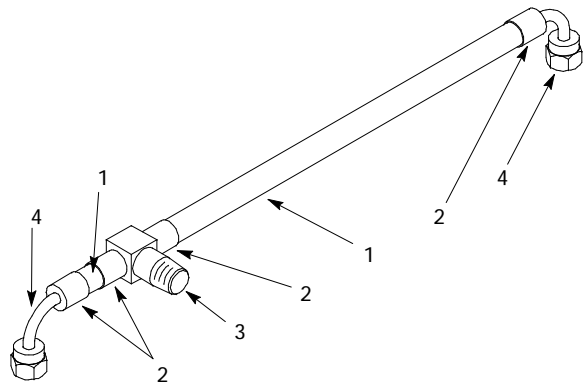


FIGURE 17. PUMP TO BOOSTER TANK TUBE ASSEMBLY



ILLUSTRATED PARTS LIST

BEVERAGE SUPPORT PANEL ASSEMBLY

Item No.	Part No.	Name
	8967	Tube Ass'y, .375 I.D. By 42-In. Long
	318049000	Tube Ass'y, .265 I.D. By 72-In. Long
	174041148	Tube Ass'y, .265 I.D. By 48-In. Long
	174041136	Tube Ass'y, .265 I.D. By 36-In. Long
1	174292000	Tube, .375 I.D. By 42-In. Long
	174478000	Tube, .265 I.D. By 72-In. Long
	174478000	Tube, .265 I.D. By 48-In. Long
	174478000	Tube, .265 I.D. By 36-In. Long
2	176204000	Ferrule, For .610 O.D. Tube
	176000000	Ferrule, For .465 O.D. Tube
3	176205000	Nipple, For .375 I.D. Tube
	77010400	Nipple, For .265 I.D. Tube
4	311242000	Swivel Nut, 5/8-18
	176017000	Swivel Nut, 7/16-20

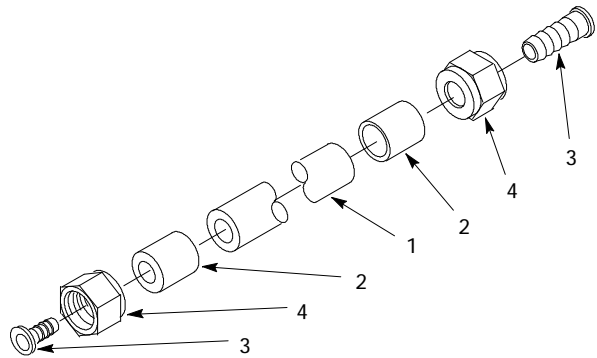


FIGURE 18. TUBE ASSEMBLY

Item No.	Part No.	Name
	2371	Tube Ass'y, .265 I.D. By 36-In. Long
1	174478000	Tube, .265 I.D. By 36-In. Long
2	176000000	Ferrule, For .465 O.D. Tube
3	77040100	Fitting, Elbow, Swivel, 7/16-20 By 1/4-Barb

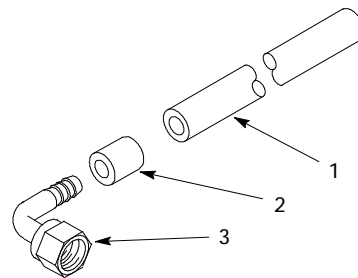


FIGURE 19. TUBE ASSEMBLY



ILLUSTRATED PARTS LIST

BEVERAGE SUPPORT PANEL ASSEMBLY

Item No.	Part No.	Name
	560000942	Tube Ass'y, Reservoir Tank
1	174478000	Tube, .265 I.D. By 15-In. Long
2	176000000	Ferrule, For .500 O.D. Tube
3	77010400	Nipple, For .265 I.D. Tube
4	176017000	Swivel Nut, 7/16-20
5	77040100	Swivel Elbow, 7/16-20 By 1/4-Barb

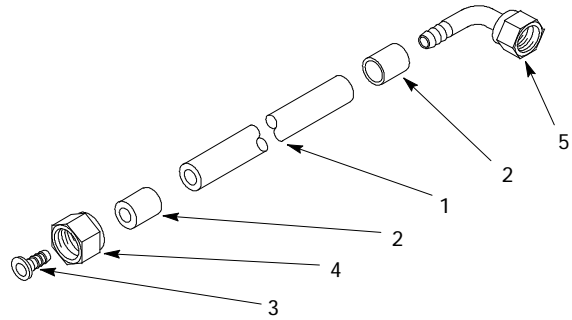


FIGURE 20. RESEVOIR TANK TUBE ASSEMBLY

Item No.	Part No.	Name
	0674	Tube Ass'y, Reservoir Tank
1	174478000	Tube, .265 I.D. By 48-In. Long
2	176000000	Ferrule, For .500 O.D. Tube
3	77040100	Swivel Elbow, 7/16-20 By 1/4-Barb
4	325012000	Shut-off Valve

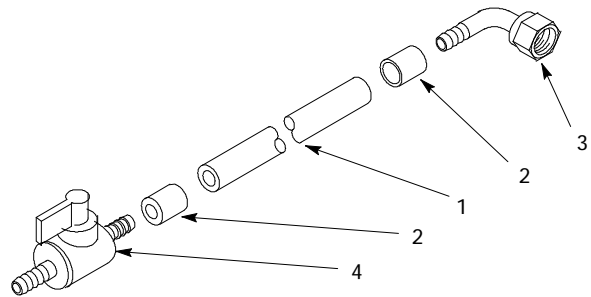


FIGURE 21. RESEVOIR TANK TUBE ASSEMBLY